

SOLANO COMMUNITY COLLEGE DISTRICT 2013 FACILITIES MASTER PLAN



BOOK 2: DISTRICT STANDARDS

BOARD APPROVED APRIL 2, 2014

PUBLISHED MAY 30, 2014

REVISED PER BOARD APPROVED REVISIONS FEBRUARY 15, 2015

AND MARCH 16, 2016

[Image Disclaimer](#)

This document contains images obtained from the world wide web that are from organizations and companies not associated with Solano Community College District or STV|vbn. These images are provided solely for the purpose of providing diverse visual examples for the written content, and do not represent any endorsement of organizations, companies, their services or products, or their views.

Furthermore, the authors of this document have attempted to ascertain the origin and credit for the images to the best of their abilities and can not guarantee the accuracy or completeness of the image source provided.

Table of Contents:

PART III: THE STANDARDS

Table of Contents	3
Overview	5
Design Standards Process	6

LANDSCAPE STANDARDS

Benches	7
Bike Racks	9
Bollards	11
Decomposed Granite Pathways	12
Irrigation	13
Site Lighting	21
Pedestrian Asphalt Paving	22
Pedestrian Concrete Paving	24
Pedestrian Pavers	25
Planting	27
Tables and Chairs	36
Trash and Recycling Receptacles	37
Tree Grates	39

ARCHITECTURAL STANDARDS

Acoustical Panel Ceilings	40
Casework	41
Custodial Spaces	43
Designations - Bldg, Floor, Room etc.	45
Door Hardware	46
Doors and Door Frames	61
Elevators	63

Emergency Response Related	67
Exterior Paint	69
Flagpoles	74
Flooring	74
Glazing	76
Interior Paint	77
Restrooms	79
Vending Spaces	83
Wall & Corner Protection	83
Window Treatment	84
Thermoplastic Single-Ply Roofing	86

FIRE PROTECTION STANDARDS

21 00 00 Basic Fire Protection System Design	88
--	----

PLUMBING STANDARDS

22 00 00 Basic Plumbing System Design	89
22 05 12 Plumbing Pipe and Fittings	93
22 05 13 Common Motor Requirements for Plumbing Equipment	95
22 05 23 General Duty Valves for Plumbing	96
22 05 29 Hangers and Supports for Plumbing Piping & Equipment	97
22 05 48 Vibration and Seismic Controls for Plumbing Piping and Equipment	99
22 05 53 Identification for Plumbing Piping & Equipment	100
22 07 00 Insulation for Plumbing Piping and Equipment	102
22 11 13 General Plumbing Piping Systems	103
22 30 00 Plumbing Equipment	104

22 40 00 Plumbing Fixtures	106
----------------------------	-----

MECHANICAL STANDARDS

23 00 00 Basic HVAC System Design	118
23 05 10 HVAC Piping	123
23 05 13 Common Motor Requirements HVAC Equipment	126
23 05 23 General Duty Valves for HVAC	127
23 05 29 Hangers and Supports for HVAC Piping & Equipment	129
23 05 48 Vibration and Seismic Controls for HVAC Piping, Ductwork & Equipment	131
23 05 53 Identification for HVAC Piping, Ductwork & Equipment	132
23 05 93 Testing, Adjusting and Balancing	134
23 07 00 HVAC Insulation	135
23 09 13 Variable Frequency Drives	136
23 11 23 Facility Natural Gas Systems	137
23 21 05 Hydronic Piping Systems	139
23 21 10 Heating Water Systems	143
23 21 15 Chilled Water Systems	145
23 21 20 Hydronic Pumps	146
23 31 00 Ductwork	148
23 33 00 Ductwork Accessories	150
23 34 00 Fans	151
23 36 00 Air Terminal Units	153
23 37 00 Air Outlets and Inlets	154
23 52 00 Heating Boilers and Accessories	155
23 62 00 Refrigeration	156
23 74 00 Packaged Air Conditioning Units	158
23 75 00 Air Handling Units	159
23 81 46 Water-to-Air Heat Pumps	160

23 83 15 Hydronic Floor Heating & Cooling System 161

ELECTRICAL STANDARDS

26 00 00 Basic Electrical System Design	163
26 05 13 Medium Voltage Cables	167
26 05 19 Wires Cables Connectors	168
26 05 26 Grounding	170
26 05 33 Raceways	172
26 05 34 Boxes	175
26 05 48 Supporting Devices	177
26 05 53 Electrical Identification	178
26 08 05 Electrical Acceptance Testing	180
26 09 21 Occupancy Sensors	182
26 09 23 Daylighting Controls	183
26 12 00 Liquid-Type Transformers	184
26 22 00 Dry-Type Transformers	186
26 24 00 Switchboards and Distribution Panel Boards	188
26 24 19 Motor Control Centers	191
26 27 26 Wiring Devices	195
26 28 00 Overcurrent Protective Devices	196
26 28 19 Circuit and Motor Disconnects	197
26 50 00 Lighting	199

CIVIL STANDARDS DETAILS

Streets and Hardscapes	203
Sanitary Sewer and Storm Drainage	207
Water	212
Electrical	217
Miscellaneous	219

CIVIL STANDARDS SPECIFICATIONS

31 00 00 Earthwork and Grading	220
31 10 00 Site Preparation	226
31 23 33 Trenching, Backfilling and Compacting	229
32 10 00 Demolition	233
32 12 33 Paving and Surfacing	235
32 17 23 Pavement Marking	238
32 32 13 Portland Cement Concrete Retaining Walls	239
32 50 00 Restoration of Surfaces	246
33 10 00 Water Systems	247
33 30 00 Sanitary Sewer	260
33 40 00 Storm Drainage	266
33 50 00 Natural Gas Distribution Piping	269

TELECOMMUNICATIONS STANDARDS

27 00 00 Telecommunications	271
-----------------------------	-----

AUDIO VISUAL STANDARDS

27 00 00 Audiovisual Systems	275
------------------------------	-----

SECURITY STANDARDS

28 00 00 Electronic Safety and Security	279
---	-----

FIRE ALARM STANDARDS

28 00 00 Fire Alarm Systems	287
-----------------------------	-----

Durability,
Ease of
Maintenance &
Sustainability



PART III DISTRICT STANDARDS

Overview

SCCD has established standards for design and construction to ensure equity and consistency in facilities and for efficiency in operations and maintenance. The Standards consist of **Design Standards** that are directives and information that Design Consultants should incorporate into their contract documents (drawings and specifications). A few disciplines have also provided **Construction Specifications** and **Typical Details**, which should be customized to the design project.

These Standards were developed by the District, with intensive input from District Facilities, Maintenance and Operations personnel, in addition to IT personnel and the Security shared governance Committee for relevant sections. The Standards are based on prior experience at the District and the best practices from other California Community Colleges, and the products selected were carefully evaluated based on criteria that included aesthetics & user comfort, durability, ease of maintenance, sustainable properties/practices and cost.



Standards Process

These Design Standards are a tool to clarify direction and streamline project execution for design professionals, construction managers and other participants in capital improvement projects. They represent the District's "strong preference" and should be applied, when possible, without compromising the creativity of the overall design. Final disposition, color, size, product choice etc. should conform to the best extent possible where equivalent substitutes are allowed in the Design Standard. If equivalent substitutes are allowed only "if performance and quality equivalency can be evidenced" or the consultant wishes to deviate from the written design standards for other reasons, then the consultant needs to provide evidence/justification and seek District approval as outlined below.

In all cases the written design standards do not diminish or eliminate the standard of care owed by the consultant to SCCD or relieve, in any manner whatsoever, a consultant from any professional responsibility, duty or due diligence required toward that work.

These Design Standards should be incorporated into all Solano Community College ("SCC", the "College") projects. Projects include but are not limited to new construction, Tenant Improvements (TI) projects, remodels, and renovations. It is understood that the College could not attempt to upgrade and retrofit all campus facilities in a single massive construction project; such a process would be prohibitively costly and disruptive. Rather, the strategy is for installations to be implemented continually and concurrently in a phased manner, over time and as funding allows, toward a goal of all campuses and campus buildings eventually meeting the same consistent Design Standards.

Design Standards Process:

The following Design Standards Process Guidelines incorporation and approval process provides procedural guidelines to ensure that project-specific design and contractor teams submit and receive approval by authorized SCCD departmental and administrator personnel at defined milestones. This allows for SCCD review, input, and approval as well

as documentation of any approved deviations or variances to the Design Standards early in the design process.

Approved deviations and variances from the Design Standards should be conscious and justifiable, provide a solution for a site-specific need or replace outdated/obsolete requirements, and be compatible with other Design Standards. **Proposed deviations shall be submitted to SCCD in writing for review and approval prior to incorporation into the project.** Approved deviations may be project-specific or permanent; if an approved deviation or variance is intended to be permanent the change should be reflected in the associated Design Standard.

Review and Approval

Review and approval by SCCD is required at the conclusion of each of the design phases listed below prior to progressing to the next phase. Documentation required for review includes project drawings and specifications; manufacturer cutsheets, diagrams, and other product data; associated progress cost estimates and written identification of deviations/variances from District Standards. Not all projects will include all phases.

Schematic Design

Design professionals should become familiar with the **Architectural, Landscape, Sustainability and other Guidelines** (found in Book 1 of the Facilities Master Plan) and the **District Standards** (found in this Book 2 and the Facilities Website) prior to initiating the design process. While most of the specifics within the District Standards will be reflected in future design phases, there are some aspects reflected in the District Standards that require consideration from the onset of the design process. If any deviations/variances are apparent at this early phase, bring them to District attention for consideration.

Deliverables of this phase are as stipulated in the Contract with the District. In addition for system designs such as Electronic Security and Safety, Fire Alarm etc. provide the following: a written design narrative which describes planned system elements by function and overall design. The narrative should include conceptual device and system floor plan, site layout drawings and functional/operational project planning.

Design Development

This is the phase where the specifics within the Design Standards will need to be reflected and coordinated within the specific project, and any required deviations/variances should be apparent during this phase. Bring all deviations/variances to District attention, in written format, for evaluation and action as soon as they are determined. Do not assume deviations/variances will be apparent to District personnel during their documentation review towards the end of this phase.

Deliverables of this phase are as stipulated in the Contract with the District. In addition for system designs such as Electronic Security and Safety, Fire Alarm etc. provide the following: refinement of schematic design conceptual elements to provide a greater level of detail of system floor plan, functional/operational project planning and site layout drawings as well as required supporting components such as physical, electrical, MEP, data network, etc.

Construction Documents

By this phase the deviations/variances should have already been resolved. If coordination and detailing efforts during this phase require previously unknown deviations/variances from District Standards, bring them to District attention, via written format, for evaluation and action as soon as they are determined.

Deliverables of this phase are as stipulated in the Contract with the District. In addition for system designs such as Electronic Security and Safety, Fire Alarm etc. provide the following: design drawings indicating location, installation details, cabling and interfaces for elements approved in the schematic design and design development phases. This phase includes written device and systems specifications in the current MasterFormat edition as issued by the Construction Specifications Institute. These specifications should clearly describe interfaces between systems or assemblies and interfaces to any other equipment and systems under other Design Standards.

Project Close-Out

Deliverables of this phase are as stipulated in the Contract with the District. District should endeavor to update District Standards for any deviations or variances that were approved as permanent during that particular project.

Landscape Standards

DESIGN STANDARD for Benches

Purpose:

The purpose of this document is to standardize the benches used throughout the campus. This design standard achieves the purpose of ensuring the quality of maintenance, reliability, and aesthetic value of these objects on campus.

Design Standard:

- Set back at least 24" from pedestrian walkway
- Place by other amenities such as bus shelters, kiosks, newsstands, waste receptacles, etc.
- Place along pedestrian walkways
- Should be located to give people a choice between sun and shade, and protected from elements like wind
- Use backless benches in park-like areas individually or in clusters
- Use benches with back in lower traffic areas along primary and secondary pedestrian routes, plazas and main building entryways
- Benches should be located on concrete paving, interlocking pavers, or asphalt

Approved Manufacturers:

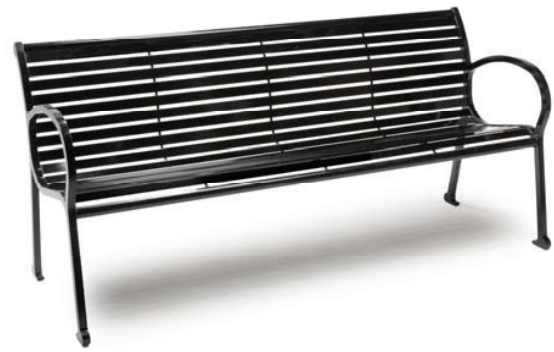
- Landscape Forms.
 - Model: 72" Scarborough Bench, Horizontal Strap with Back or 72" Scarborough Bench, Horizontal Strap Backless.
 - Color: Powdercoated stormcloud
 - Mounting: Surface mounted
 - Phone: (269) 381-0396
 - Web: Landscapeforms.com

Substitutes Allowed:

Approved manufacturer or approved equal.

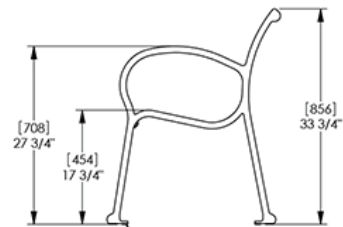
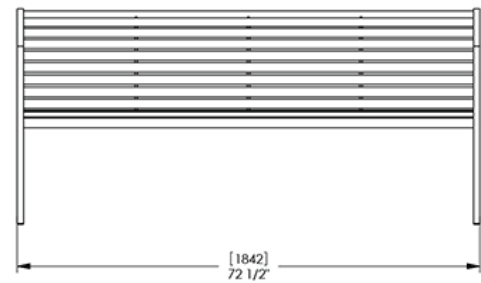
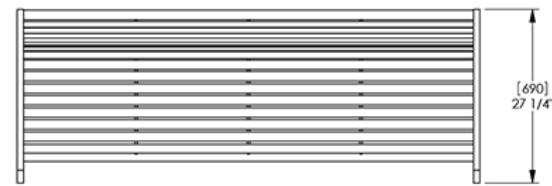
Associated Design Standards and Construction Specifications

Install per manufacturer's specifications.



Scarborough™
Bench, 72" Backed, with Horizontal Strap Seat

landscapeforms®
www.landscapeforms.com Ph: 800.521.2546

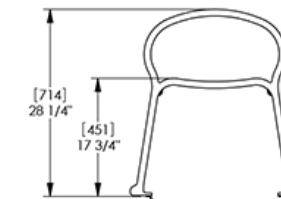
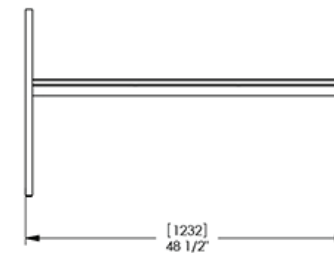
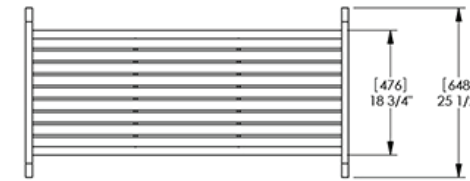


GLIDE FOR FREESTANDING UNIT.
REMOVE TO SURFACE MOUNT.
(4) Ø 3/8 (10) NON-CORROSIVE BOLTS
RECOMMENDED FOR ANCHORING.
PROVIDED BY OTHERS.



Scarborough™
Bench, 48" Backless, with Horizontal Strap Seat

landscapeforms®
www.landscapeforms.com Ph: 800.521.2546



GLIDE FOR FREESTANDING UNIT.
REMOVE TO SURFACE MOUNT.
(4) Ø 3/8 (10) NON-CORROSIVE BOLTS
RECOMMENDED FOR ANCHORING.
PROVIDED BY OTHERS.

DESIGN STANDARD for Bike Racks & Bike Lockers

Purpose:

The purpose of this document is to standardize the benches used throughout the campus. This design standard achieves the purpose of ensuring the quality of maintenance, reliability, and aesthetic value of these objects on campus.

Design Standard:

- Place near building entrances along bike paths
- At least 5' from crosswalk or fire hydrant
- Minimum 2' from curb
- Minimum 3' from street furniture, light poles, parking meters, trees, and other objects
- 3' from wall if perpendicular to wall
- 3' from wall if parallel to wall
- Single loop or five loop racks recommended
- Install number of bike racks and lockers per CalGreen Standards

Approved Manufacturers:

- Bike Lockers
 - Manufacturer: Dura Bike Locker, durabikelocker.com
 - Phone: (916) 488-7026
 - Model: DBLP Pie Shaped Bicycle Locker
 - Color: Galvanized steel, powder coat graphite with bike symbol wall perforation
 - Mount: In ground
- Bike Lockers
 - Manufacturer: Bikeparking.com
 - Phone: (415) 333-6428

- Style: Welle Multiple Bend Round Pipe
- Color: Powder coat silver metallic
- Mount: In ground

Substitutes Allowed:

Approved manufacturer or approved equal

Associated Design Standards and Construction Specifications

Install per manufacturer's specifications

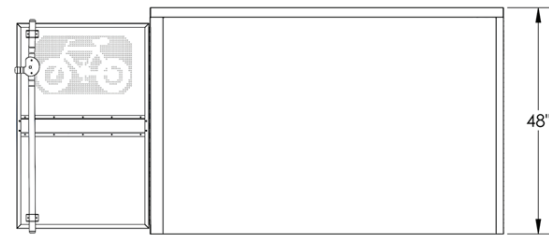
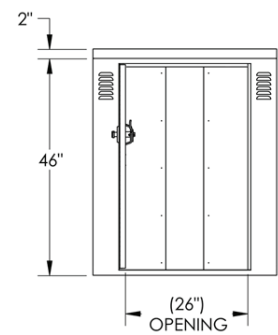
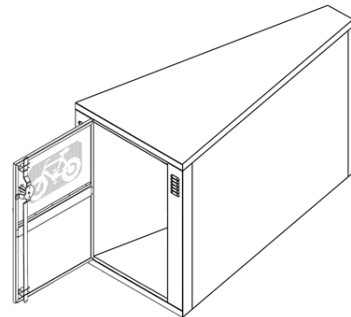
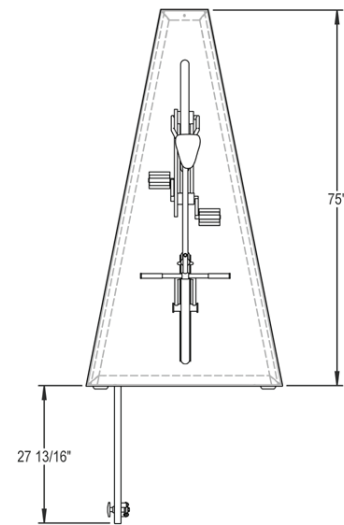




DURA BIKE LOCKER

A DIVISION OF HANNAN SPECIALTIES INC.
Made in the USA

DIMENSION SHEET FOR MODEL : DBLP Pie Shaped Bicycle Locker

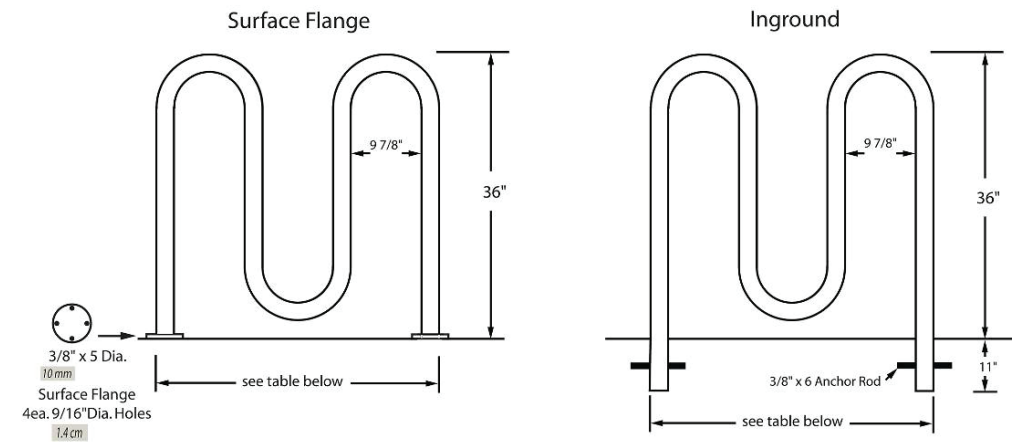


www.durabikelocker.com
4019 LEOS LN. #3 - CARMICHAEL, CA 95608
(916) 488-7026 - (800) 722-BIKE (2453)



BIKEPARKING.COMTM
Tel: 415.333.6428 Tel: 888.764.2453 Fax: 415.333.2032 E: info@bikeparking.com
Palmer Group, LLC - 1728 Ocean Avenue #132 San Francisco CA 94112 USA

WelleTM Multiple Bend
(Round Pipe)



WELLE TM MULTI BEND ROUND PIPE RACKS								
Mount :	Item	# of Bends	Bike Capacity	Common		Wide Loop		Model
				Length	Weight	Length	Weight	
-SF (Surface Flange)	H3605	3	5	38"	60 lbs	59"	65 lbs	
-IG (Inground)				96 cm	27 kg	150 cm	29 kg	
-G (Galvanized)	H3607	5	7	62"	80 lbs	97"	90 lbs	
-P (Powder Coated)				157 cm	36 kg	246 cm	41 kg	
-SS (Stainless Steel)	H3609	7	9	86"	120 lbs	135"	130 lbs	
				218 cm	54 kg	343 cm	59 kg	
-Material : 2 3/8" O.D. Pipe (60.3mm)	H3611	9	11	110"	135 lbs	173"	150 lbs	
				279 cm	61 kg	439 cm	68 kg	
-ASTM A53 Schedule 40 Pipe .154" Wall Thickness Mandrel - Bent	H3613	11	13	134"	155 lbs	211"	180 lbs	
				340 cm	70 kg	536 cm	81 kg	
-Optional :	H3615	13	15	158"	180 lbs	249"	215 lbs	
Stainless 304 Alloy Available				401 cm	81 kg	632 cm	97 kg	
	H3617	15	17	182"	205 lbs	287"	245 lbs	
				462 cm	92 kg	729 cm	110 kg	

© 1998 Palmer Group, LLC - All Rights Reserved.

09.18.2013



DESIGN STANDARD for Bollards

Purpose:

The purpose of this document is to standardize the use of bollards used on campus. This design standard achieves the purpose of ensuring the quality of maintenance, reliability, and value of these objects on campus.

Design Standard:

- Maximum spacing 8' on center, minimum 4' on center
- Permanent bollards are used to restrict vehicular access at gates and entryways
- Removable bollards may be installed where occasional vehicle access is required, such as service roads
- Should be used anywhere pedestrian pathways meet vehicular traffic

Approved Manufacturers:

Reliance Foundry Co., LTD.

- Model: R-7902 Removal Steel Bollard
- Color: Bengal Silver
- Mounting: Embedded receiving with lids
- Phone: (604)592-4333
- Website: Reliance-foundry.com

Substitutes Allowed:

Approved manufacturer or approved equal.

Associated Design Standards and Construction Specifications

Install per manufacturer specifications.



DESIGN STANDARD for Decomposed Granite Pathways

Purpose:

The purpose of this document is to standardize paths made of decomposed granite. This design standard achieves the purpose of ensuring the quality of maintenance, reliability, and aesthetic value of these paths on campus.

Design Standard:

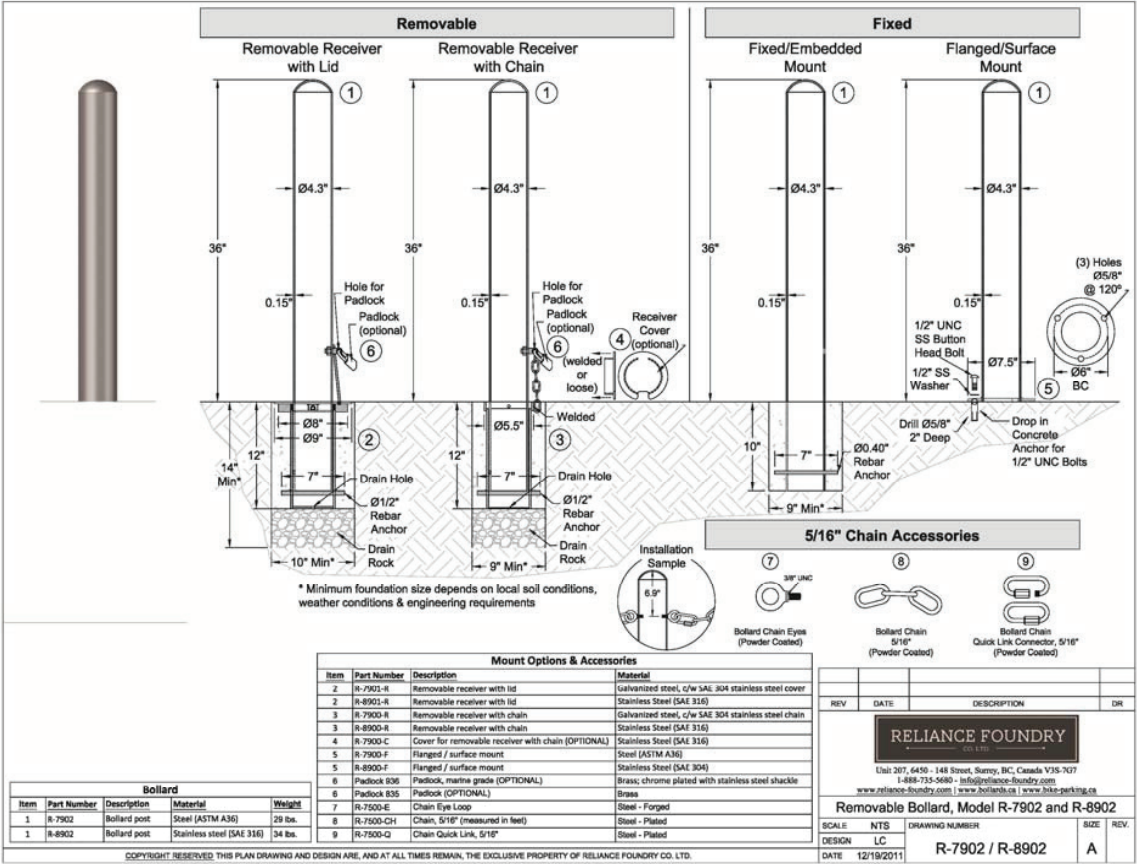
- Install with commercial binder
- Install away from entry doors to prevent spread of fines into buildings and classrooms
- Do not use on paths adjacent to buildings or lawns where materials can migrate onto lawns or building entry systems

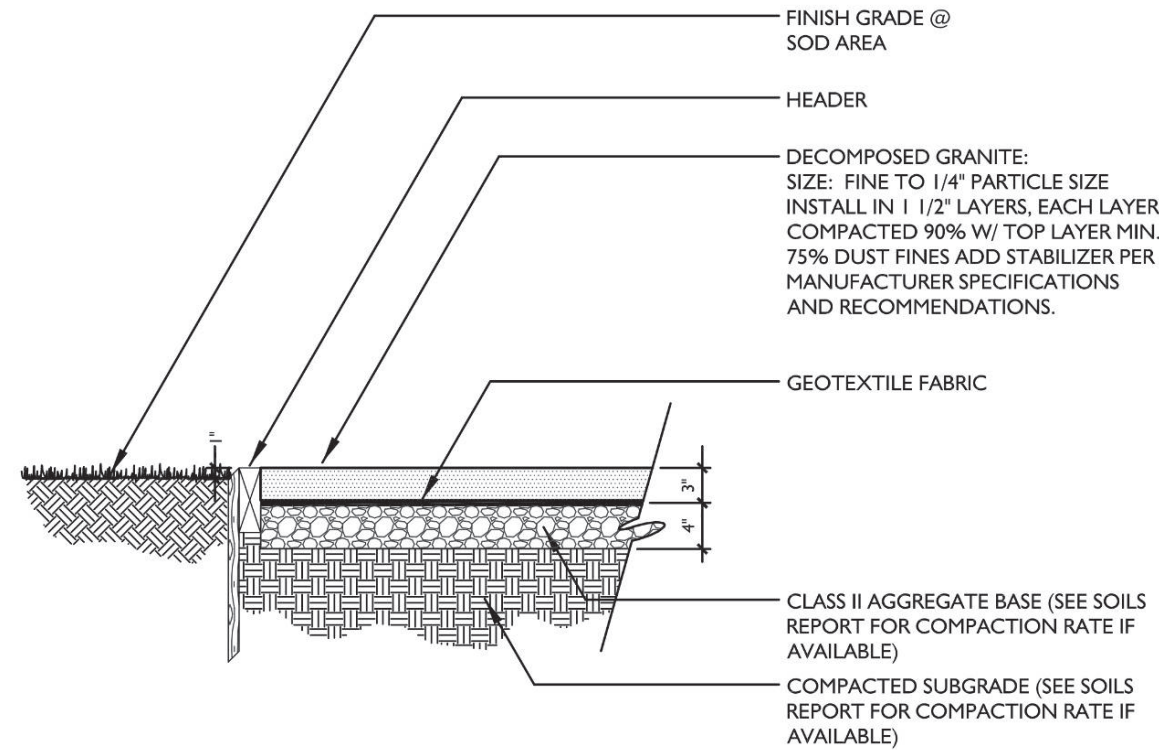
Approved Manufacturers:

- Colors: California Gold and Graphite Grey only
- Stabilizer: Technisoil G3 commercial

Associated Design Standards and Construction Specifications

See decomposed granite detail.





DECOMPOSED GRANITE PAVING
SCALE: 3/4" = 1'-0"

DESIGN STANDARD for Irrigation

Purpose:

The purpose of this document is to standardize the irrigation procedures and design on campus. This design standard achieves the purpose of ensuring the quality of maintenance, reliability, and efficiency of these systems on campus

Design Standard:

- Irrigation systems shall be designed to prevent runoff, low head drainage, overspray or other similar conditions.
- All irrigation systems should be designed, managed and maintained to meet or exceed 70% efficiency.
- Sprinklers, drip irrigation and bubblers must be on separate valves.
- Subsurface or low volume irrigation must be used when turf is be planted on slopes greater than 25% or in areas that are less than 8' wide
- Controllers must use evapotranspiration or soil moisture data
- Overhead irrigation is not permitted within 24" of non-permeable surfaces unless there is an alternate design or technology to prevent runoff or unless the overspray runoff flows into landscaping
- See Irrigation Notes

Approved Manufacturers:

- See Irrigation Legend

Substitutes Allowed:

None

Associated Design Standards and Construction Specifications

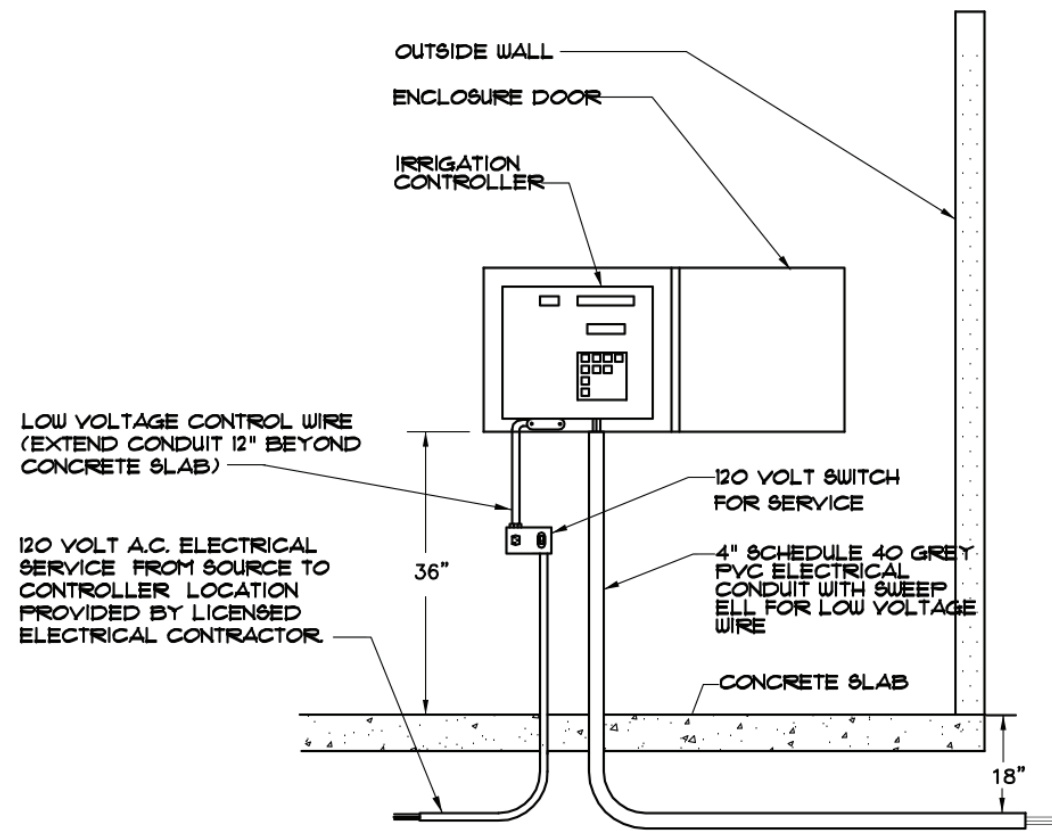
Model Water Efficient Landscape Ordinance AB 1881

IRRIGATION NOTES

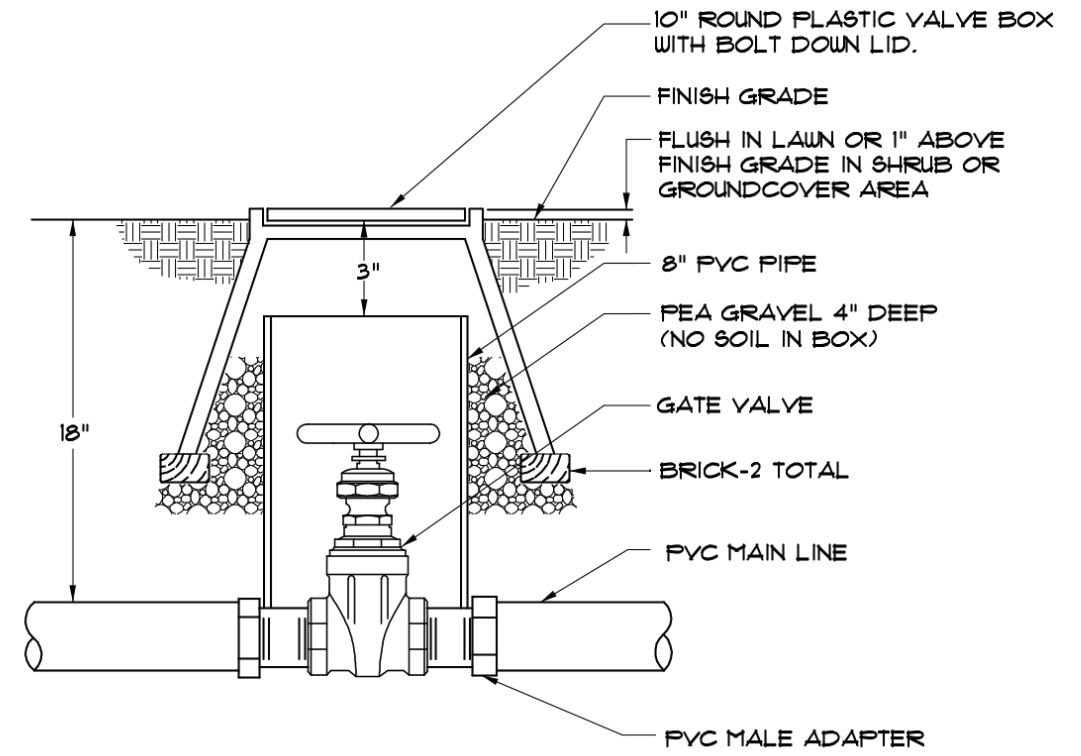
1. THIS DESIGN IS DIAGRAMMATIC. ALL PIPING, VALVES, ETC. SHOWN WITHIN PAVED AREAS IS FOR DESIGN CLARIFICATION ONLY AND SHALL BE INSTALLED IN PLANTING AREAS WHERE POSSIBLE. AVOID ANY CONFLICTS BETWEEN THE SPRINKLER SYSTEM, PLANTING AND ARCHITECTURAL FEATURES.
2. DO NOT WILLFULLY INSTALL THE SPRINKLER SYSTEM AS SHOWN ON THE DRAWINGS WHEN IT IS OBVIOUS IN THE FIELD THAT OBSTRUCTIONS, GRADE DIFFERENCES OR DIFFERENCES IN THE AREA DIMENSIONS EXIST THAT MIGHT NOT HAVE BEEN CONSIDERED IN THE ENGINEERING. SUCH OBSTRUCTIONS OR DIFFERENCES SHOULD BE BROUGHT TO THE ATTENTION OF THE OWNER'S AUTHORIZED REPRESENTATIVE. IN THE EVENT THAT THIS NOTIFICATION IS NOT PERFORMED, THE IRRIGATION CONTRACTOR SHALL ASSUME FULL RESPONSIBILITY FOR ANY REVISIONS NECESSARY.
3. IT IS THE RESPONSIBILITY OF THE IRRIGATION CONTRACTOR TO FAMILIARIZE HIMSELF WITH ALL GRADE DIFFERENCES, LOCATION OF WALLS, RETAINING WALLS, ETC. HE SHALL COORDINATE HIS WORK WITH THE GENERAL CONTRACTOR AND OTHER SUBCONTRACTORS FOR THE LOCATION AND THE INSTALLATION OF PIPE SLEEVES THROUGH WALLS, UNDER ROADWAYS, PAVING, STRUCTURES, ETC.
4. DUE TO THE SCALE OF THE DRAWINGS, IT IS NOT POSSIBLE TO INDICATE ALL OFFSETS, FITTINGS, SLEEVES, ETC., WHICH MAY BE REQUIRED. THE CONTRACTOR SHALL CAREFULLY INVESTIGATE THE STRUCTURAL AND FINISHED CONDITIONS AFFECTING ALL OF HIS WORK AND PLAN HIS WORK ACCORDINGLY, FURNISHING SUCH FITTINGS, ETC., AS MAY BE REQUIRED TO MEET SUCH CONDITIONS. DRAWINGS ARE GENERALLY DIAGRAMMATIC AND INDICATIVE OF THE WORK TO BE INSTALLED. THEN WORK SHALL BE INSTALLED IN SUCH A MANNER AS TO AVOID CONFLICTS BETWEEN IRRIGATION SYSTEMS, PLANTING, AND ARCHITECTURAL FEATURES.
5. ELECTRICAL CONTRACTOR TO SUPPLY 120 VOLT A.C. (2.5 AMP) SERVICE TO CONTROLLER LOCATION. IRRIGATION CONTRACTOR TO MAKE FINAL CONNECTION FROM ELECTRICAL STUB-OUT TO CONTROLLER.
6. EACH CONTROLLER SHALL HAVE ITS OWN INDEPENDENT GROUND WIRE.
7. SPLICING OF 24 VOLT 2-WIRE CABLE WILL NOT BE PERMITTED EXCEPT IN VALVE BOXES. LEAVE A 24" COIL OF EXCESS WIRE AT EACH SPLICE AND 100 FEET ON CENTER ALONG WIRE RUN.
8. 2-WIRE CABLE SHALL BETWEEN CONTROLLER AND DECODERS SHALL BE PAIGE P7350D 14 AWG SOLID COPPER JACKETED 2-CONDUCTOR DIRECT BURIAL CABLE. 2-WIRE CABLE BETWEEN DECODERS AND SOLENOIDS SHALL BE PAIGE P7351D DTS 14 AWG SOLID COPPER JACKETED 2-CONDUCTOR DIRECT BURIAL CABLE.
9. THE IRRIGATION CONTRACTOR SHALL FLUSH AND ADJUST ALL SPRINKLER HEADS FOR OPTIMUM PERFORMANCE AND TO PREVENT OVERSPRAY ONTO WALKS, ROADWAYS AND/OR BUILDINGS AS MUCH AS POSSIBLE. THIS SHALL INCLUDE SELECTING THE BEST DEGREE OF ARC TO FIT THE EXISTING SITE CONDITIONS AND TO THROTTLE THE FLOW CONTROL AT EACH VALVE TO OBTAIN THE OPTIMUM OPERATING PRESSURE FOR EACH SYSTEM.
10. NOTIFY ARCHITECT OF ANY ASPECTS OF LAYOUT WHICH WILL PROVIDE INCOMPLETE OR INSUFFICIENT WATER COVERAGE OF PLANT MATERIAL AND DO NOT PROCEED UNTIL HIS INSTRUCTIONS ARE OBTAINED.
11. ALL SPRINKLER HEADS SHALL BE SET PERPENDICULAR TO FINISH GRADE OF THE AREA TO BE IRRIGATED UNLESS OTHERWISE DESIGNATED ON THE PLANS.
12. SPRINKLERS WHERE LOW HEAD DRAINAGE WILL CAUSE EROSION AND EXCESS WATER USE A TORO POP-UP BODY WITH INTEGRAL CHECK VALVE OR A KING BROS. CV SERIES CHECK VALVE ON SHRUB RISERS IN LIEU OF SCHEDULE 80 COUPLING.
13. THE SPRINKLER SYSTEM DESIGN IS BASED ON THE MINIMUM OPERATING PRESSURE SHOWN ON THE IRRIGATION DRAWINGS. THE IRRIGATION CONTRACTOR SHALL VERIFY WATER PRESSURE PRIOR TO CONSTRUCTION. REPORT ANY DIFFERENCE BETWEEN THE WATER PRESSURE INDICATED ON THE DRAWINGS AND THE ACTUAL PRESSURE READING AT THE IRRIGATION POINT OF CONNECTION TO THE OWNER'S AUTHORIZED REPRESENTATIVE.
14. OPERATE IRRIGATION CONTROLLER(S) BETWEEN THE HOURS OF 9:00 PM AND 7:00 AM.
15. IRRIGATION CONTRACTOR TO NOTIFY ALL LOCAL JURISDICTIONS FOR INSPECTION AND TESTING OF INSTALLED BACKFLOW PREVENTION DEVICE.
16. PRIOR TO TRENCHING, CALL UNDERGROUND SERVICE ALERT, (1-800) 642-2444 FOR NORTHERN CALIFORNIA.
17. WHEN VERTICAL OBSTRUCTIONS (STREET LIGHTS, TREES, FIRE HYDRANTS, ETC.) INTERFERE WITH THE SPRAY PATTERN OF THE HEADS SO AS TO PREVENT PROPER COVERAGE, THE IRRIGATION CONTRACTOR SHALL FIELD ADJUST THE SPRINKLER SYSTEM BY INSTALLING A QUARTER, THIRD OR HALF CIRCLE HEAD AT THE SIDES OF THE OBSTRUCTION SO AS TO PROVIDE PROPER COVERAGE. ALL ADJUSTMENTS SHALL BE MADE AT NO ADDITIONAL COST
18. WHERE IT IS NECESSARY TO EXCAVATE ADJACENT TO EXISTING TREES, THE CONTRACTOR SHALL USE ALL POSSIBLE CARE TO AVOID INJURY TO TREES, AND TREE ROOTS. EXCAVATION IN AREAS WHERE TWO (2) INCH AND LARGER ROOTS OCCUR SHALL BE DONE BY HAND. ROOTS TWO (2) INCHES AND LARGER IN DIAMETER SHALL BE WRAPPED IN A PLASTIC BAG AND SECURED WITH A RUBBER BAND. TRENCHES ADJACENT TO TREE SHOULD BE CLOSED WITHIN TWENTY-FOUR (24) HOURS; WHERE THIS IS NOT POSSIBLE, THE SIDE OF THE TRENCH ADJACENT TO THE TREE SHALL BE KEPT SHADED WITH BURLAP OR CANVAS.
19. STATIC PRESSURE AT POINT OF CONNECTION IS APPROXIMATELY XX PSI.
20. INSTALL ALL IRRIGATION VALVE BOXES SHALL BE PURPLE FOR USE WITH RECYCLED WATER AND LCOATED WITHIN GROUND COVER AREAS ONLY. DO NOT INSTALL WITHIN TURF AREAS. DO NOT LOCATE VALVES AT PEDESTRIAN ENTRY POINTS OR AT PEDESTRIAN CHANGE OF DIRECTION

IRRIGATION LEGEND

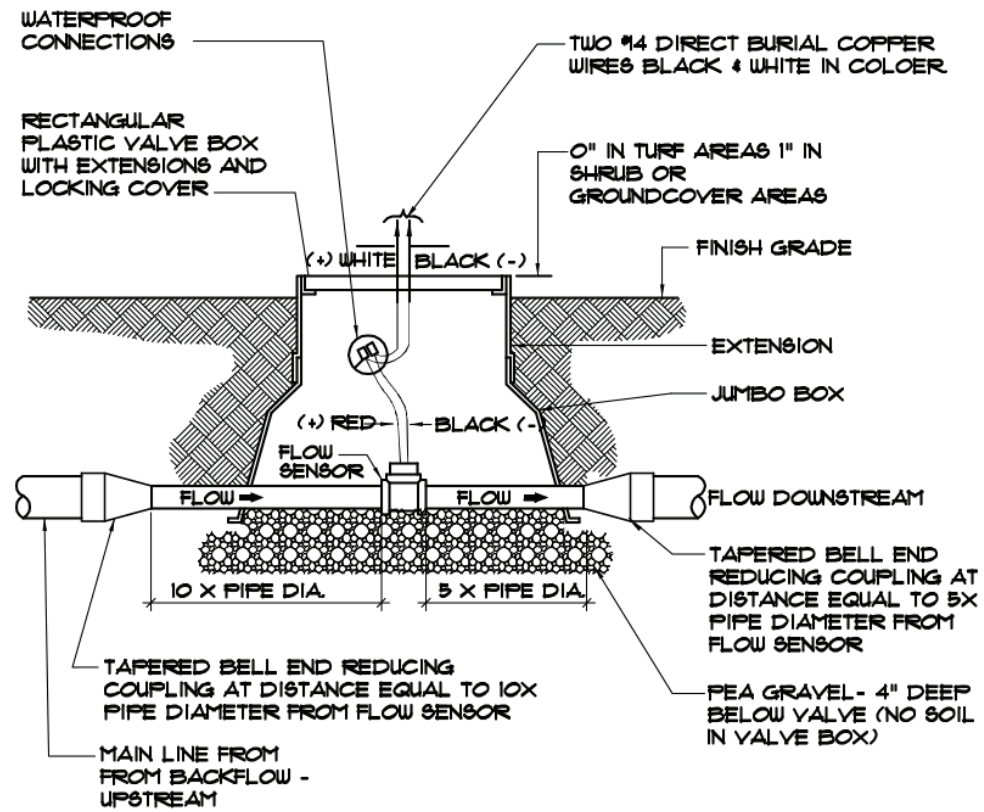
SYMBOL	MODEL NUMBER	DESCRIPTION	PSI	GPM	RADIUS
	I-40-SS-R SERIES	HUNTER POP-UP ROTOR SPRAY WITH PURPLE COVER FOR TURF	50	VARIES	VARIES
	570Z-4P-PR COM-OT-E-15F,H,Q,T	TORO 4" POP-UP SPRAY HEAD WITH PRECISION SERIES NOZZLES	30	3.6,1.65,.85,2.0	15'
	570Z-4P-PR COM-OT-E-12F,H,Q,T	TORO 4" POP-UP SPRAY HEAD WITH PRECISION SERIES NOZZLES	30	2.2,1.1,.50,1.5	12'
	570Z-4P-PR COM-OT-E-10F,H,Q,T	TORO 4" POP-UP SPRAY HEAD WITH PRECISION SERIES NOZZLES	30	1.5,.79,.39,1.0	10'
	570Z-4P-PR COM-OT-E-8H,Q,T	TORO 4" POP-UP SPRAY HEAD WITH PRECISION SERIES NOZZLES	30	.50,.25,.75	8'
	570Z-12P-PR COM-OT-E-15F,H,Q,T	TORO 12" POP-UP SPRAY HEAD WITH PRECISION SERIES NOZZLES	30	3.6,1.8,.90,1.85	15'
	570Z-12P-PR COM-OT-E-FH,Q,T	TORO 12" POP-UP SPRAY HEAD WITH PRECISION SERIES NOZZLES	30	2.6,1.3,.65,1.5	12'
	570Z-12P-PR COM-OT-E-10F,H,Q	TORO 12" POP-UP SPRAY HEAD WITH PRECISION SERIES NOZZLES	30	1.6,.79,.39	10'
	570Z-12P-PR COM-OT-E-8H,Q,T	TORO 12" POP-UP SPRAY HEAD WITH PRECISION SERIES NOZZLES	30	.79,.39,1.0	8'
	RWS-BCG-1402	RAINBIRD ROOT WATERING SYSTEM -TREES	30	.50	-
	LF-40	TORO LOW FLOW FLOOD BUBBLER ON FLEX RISER FOR SHRUBS	30	4 GPH	-
	2000 SERIES	GRISWOLD BRASS REMOTE CONTROL VALVE			
	T-113	NIBCO GATE VALVE (LINE SIZE) IN ROUND BOX			
	33DNP	RAINBIRD QUICK COUPLING VALVE WITH PURPLE VINYL LOCKING COVER			
	ACC-1200-SS / ACM-600	HUNTER ACC SERIES CONTROLLER WITH EXPANSION MODULES 12 TO 42 STATION. WALL MOUNT INSIDE STAINLESS STEEL WALL MOUNT LOCKING CABINET. INCLUDES HUNTER SOLAR SYNC ET SENSOR.			
		LOW VOLUME IRRIGATION SHALL BE: TORO DL2000 SERIES PC DRIP EMITTER TUBING PART NUMBER: RGP-418-05-E 1.00 GPH EMITTERS 18" ON CENTER PURPLE DRIFLINE PIPE WITH TORO DL2000 COMPRESSION FITTINGS (OR EQUAL) INSTALLED 4" COVER BELOW SOIL LEVEL. INSTALL DRIFLINE PER TORO DRIFLINE INSTALLATION GUIDELINES AND DETAILS			
		STATION NUMBER GALLONS PER MINUTE VALVE SIZE			
		MAINLINE: 2 1/2" DIAMETER AND LARGER CLASS 315 PURPLE PVC PLASTIC PIPE. 2" DIAMETER AND SMALLER 1120-SCHEDULE 40 PVC PLASTIC PIPE. FITTINGS SHALL BE SCHEDULE 40 PVC SOLVENT WELD. 18" COVER.			
		LATERAL LINE: 1120-200 PSI PURPLE PVC PLASTIC PIPE WITH SCHEDULE 40 PVC SOLVENT WELD FITTINGS. 12" COVER.			
		SLEEVE: 1120-SCHEDULE 40 PVC PLASTIC PIPE WITH SCHEDULE 40 PVC PLASTIC FITTINGS. 24" COVER UNDER ROADWAY PAVING, 18" UNDER CONCRETE PAVING.			



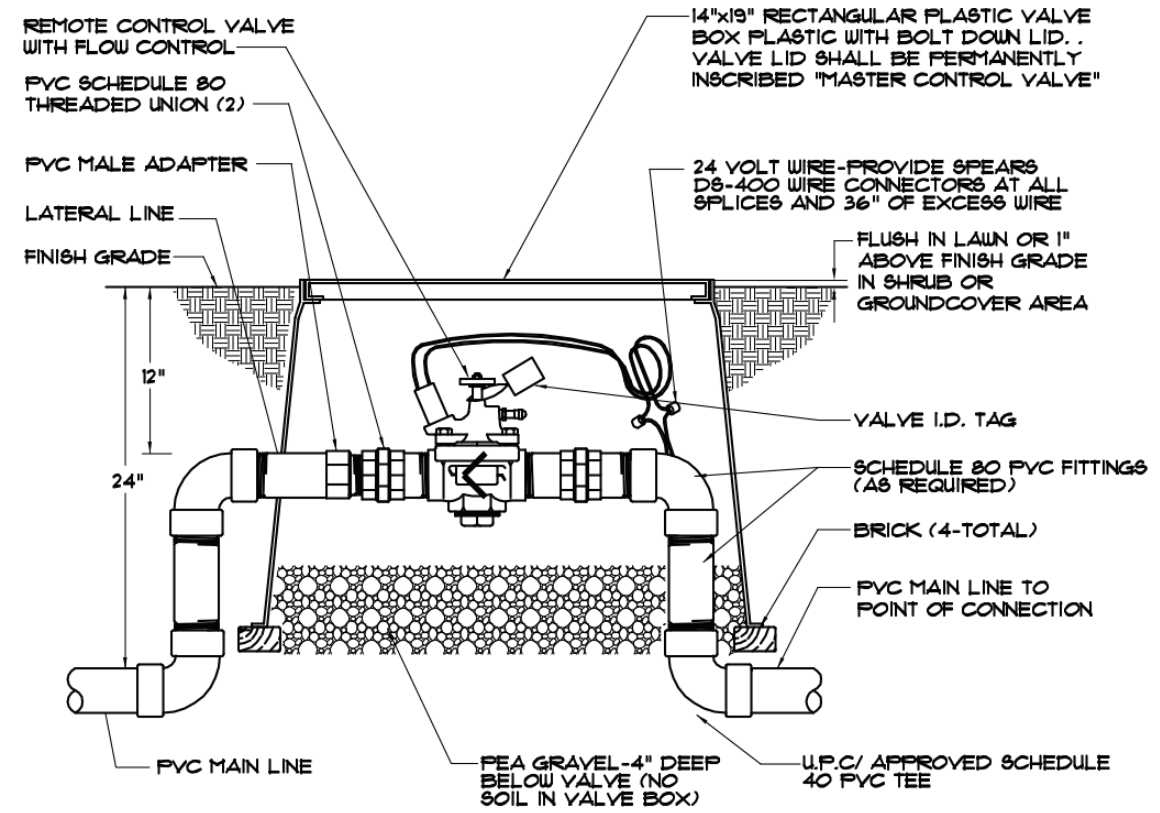
1 **WALL MOUNT CONTROLLER**
NTS



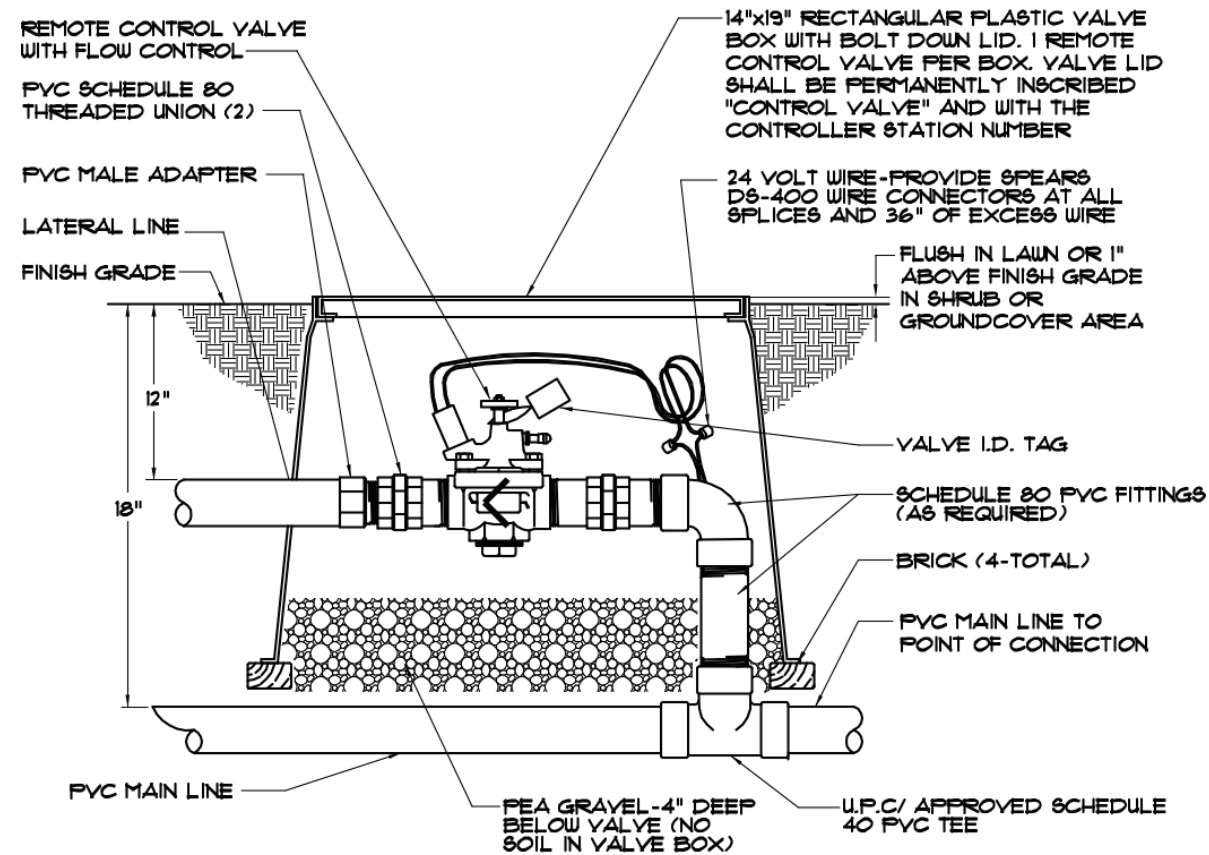
2 **GATE VALVE INSTALLATION**
NTS



3 FLOW SENSOR INSTALLATION
NTS

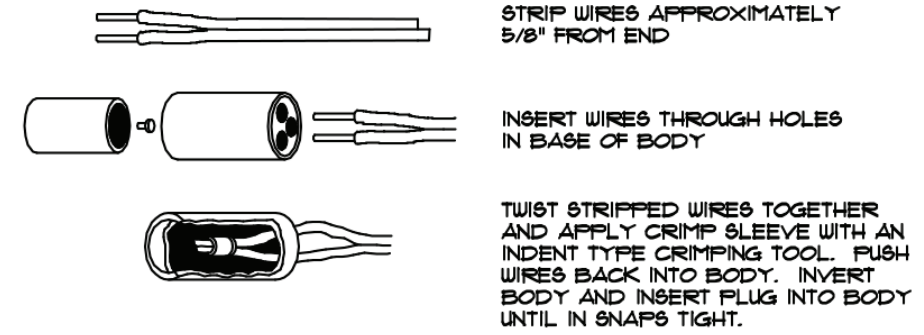


4 MASTER CONTROL VALVE INSTALLATION
NTS



5 REMOTE CONTROL VALVE INSTALLATION

NTS

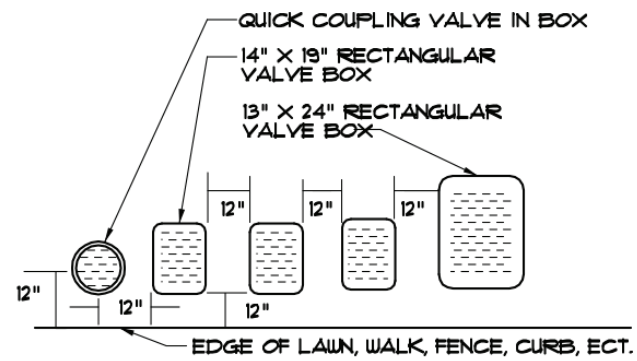


NOTES:

1. ONE CONNECTOR HANDLES #10 AWG, #12 AWG AND #14 AWG WIRES.
2. WIRE CONNECTORS WILL ACCEPT THREE WIRE OR TWO WIRE CONNECTIONS.
3. MANUFACTURED BY SPEARS, MODEL DS-400.

6 WIRE CONNECTION

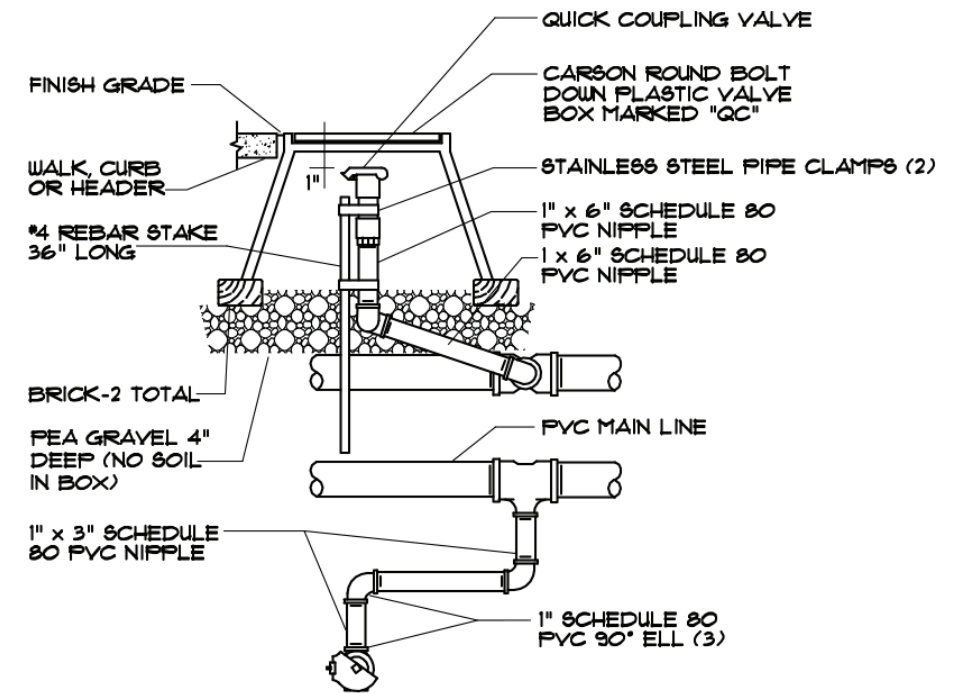
NTS



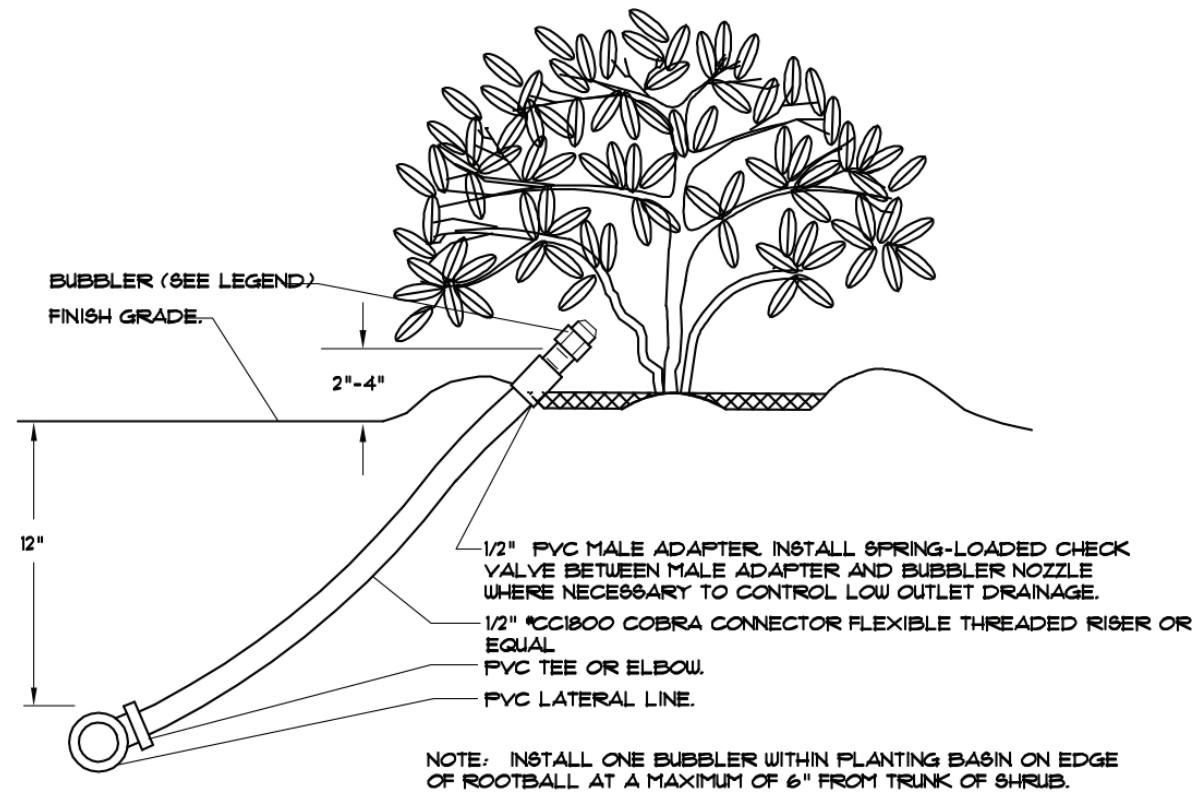
NOTES:

1. CENTER BOX OVER REMOTE CONTROL VALVE TO FACILITATE SERVICING VALVE.
2. SET BOXES 1" ABOVE FINISH GRADE OR MULCH COVER IN GROUND COVER/SHRUB AREA AND FLUSH WITH FINISH GRADE IN TURF AREA.
3. SET RCV AND VALVE BOX ASSEMBLY IN GROUND COVER/SHRUB AREA WHERE POSSIBLE. INSTALL IN LAWN AREA ONLY IF GROUND COVER DOES NOT EXIST ADJACENT TO LAWN.
4. SET BOXES PARALLEL TO EACH OTHER AND PERPENDICULAR TO EDGE.
5. AVOID HEAVILY COMPACTING SOIL AROUND VALVE BOX EDGES TO PREVENT COLLAPSE AND DEFORMATION OF VALVE BOX SIDES.
6. ALL VALVE BOXES SHALL HAVE BOLT DOWN LIDS.
7. VALVE LID SHALL BE PERMANENTLY INSCRIBED "CONTROL VALVE" AND WITH THE CONTROLLER STATION NUMBER.

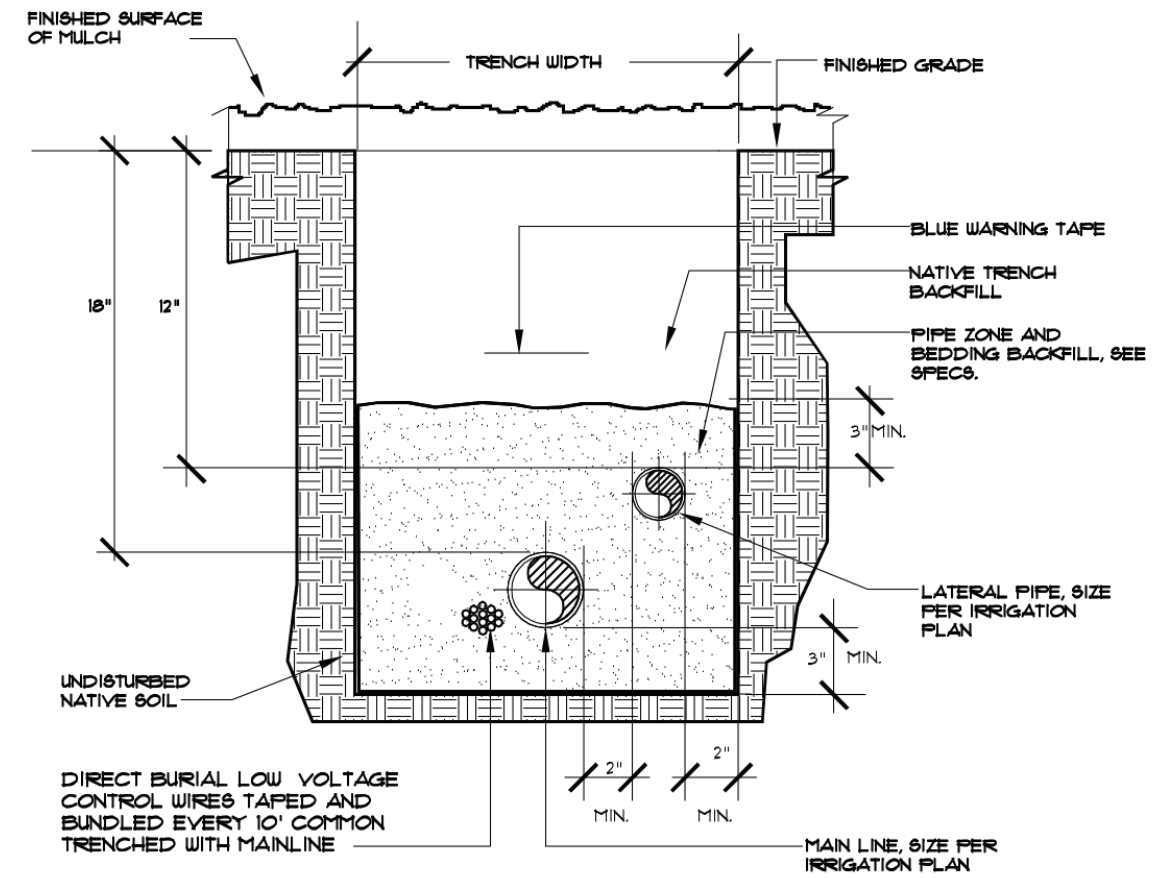
7 VALVE BOX INSTALLATION
NTS



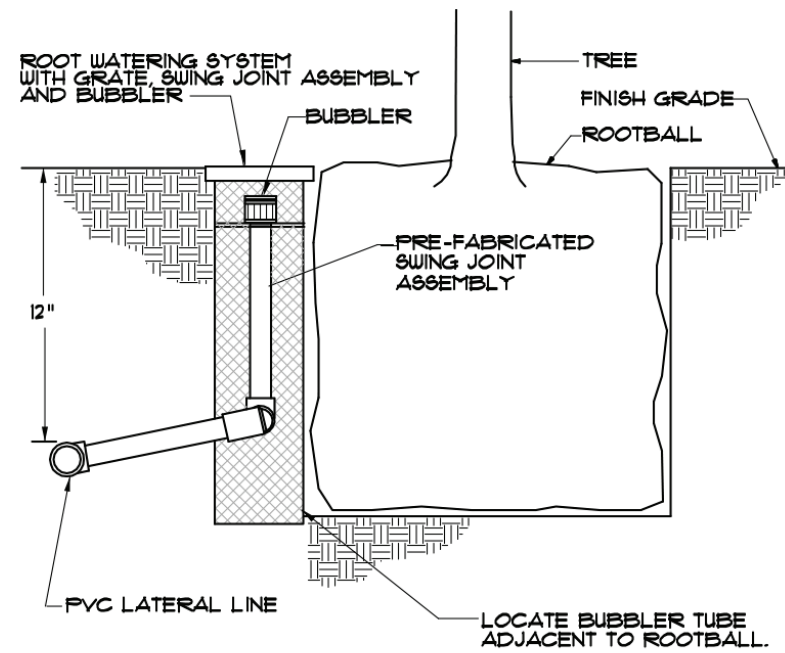
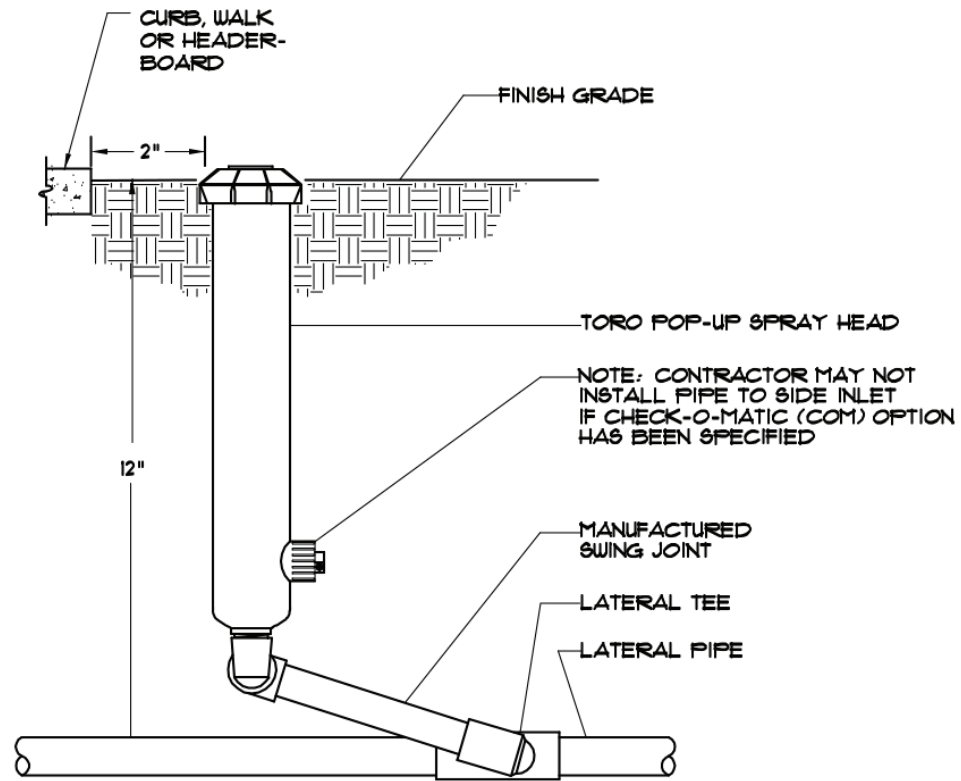
8 1" QUICK COUPLER IN BOX
NTS



9 **SHRUB BUBBLER INSTALLATION**
NTS



10 **TYPICAL COMBINATION TRENCH**
NTS



NOTES:
 1. ONE BUBBLER PER TREE TO BE PLACED UPHILL SIDE OF ROOTBALL.

11 POP-UP SPRAY HEAD INSTALLATION
 NT6

12 TREE BUBBLER INSTALLATION
 NT6

DESIGN STANDARD for Site Lighting

Refer to Electrical Standards 265000 Lighting



DESIGN STANDARD for Pedestrian Asphalt Paving

Purpose:

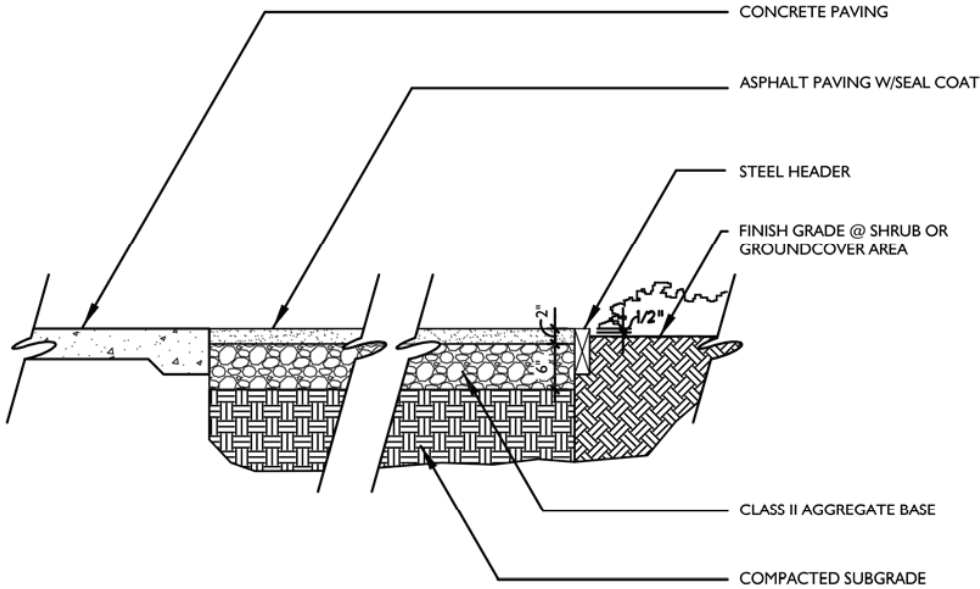
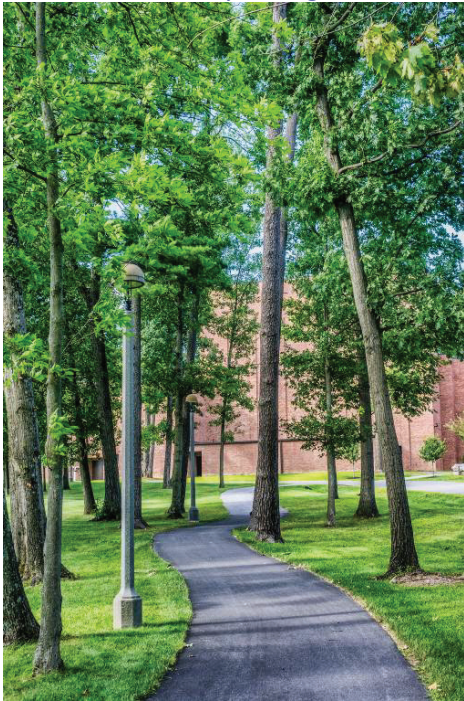
The purpose of this document is to standardize asphalt paving in pedestrian areas. This design standard achieves the purpose of ensuring the quality of maintenance, reliability, and safety of paving on campus.

Design Standard:

- To be used for secondary, tertiary or service paths and roads
- All asphaltic concrete to be restrained with metal header or min. 6" concrete mowband

Associated Design Standards and Construction Specifications

- Asphaltic concrete to be 1/4 in. maximum aggregate, minimum course thickness: 2 in.
- Aggregate base to be Class 2 aggregate base 3/4 in. maximum aggregate size
- Nails shall be hot dipped galvanized
- Paving and base section to be designed to allow for light vehicular traffic where path/road is wider than six feet.



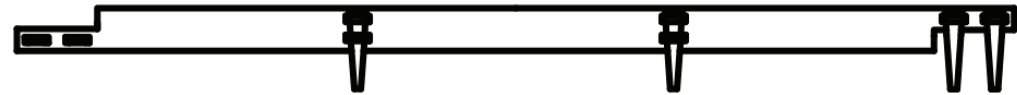
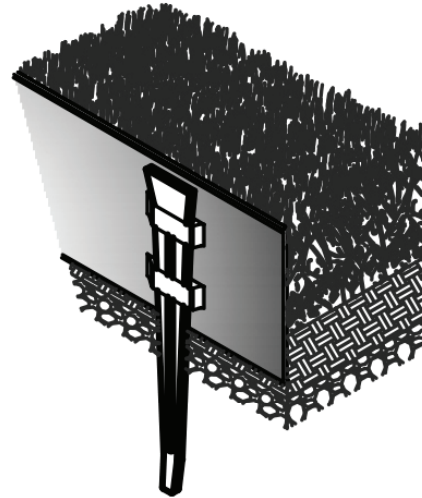
PEDESTRIAN A.C. PAVING
SCALE: 1/2" = 1'-0"

COLMET.

COLLIER METAL SPECIALTIES LTD
 3333 MILLER PARK SOUTH
 GARLAND, TX 75042
 TOLL FREE: 1-800-829-8225
 PHONE: (972) 494-3900
 FAX: (972) 494-1605
 www.colmet.com

- SIZE
- 10' x 4" x 14GA
 - 10' x 4" x 12GA
 - 10' x 4" x 1/8"
 - 10' x 4" x 3/16"
 - 10' x 4" x 1/4"
 - 10' x 5" x 3/16"
 - 10' x 5" x 1/4"
 - 10' x 6" x 14GA
 - 10' x 6" x 12GA
 - 10' x 6" x 1/8"
 - 10' x 6" x 3/16"
 - 10' x 6" x 1/4"

- COLOR/FINISH
- BLACK
 - BROWN
 - GREEN
 - UNFINISHED GALVANIZED
 - UNFINISHED RAW STEEL



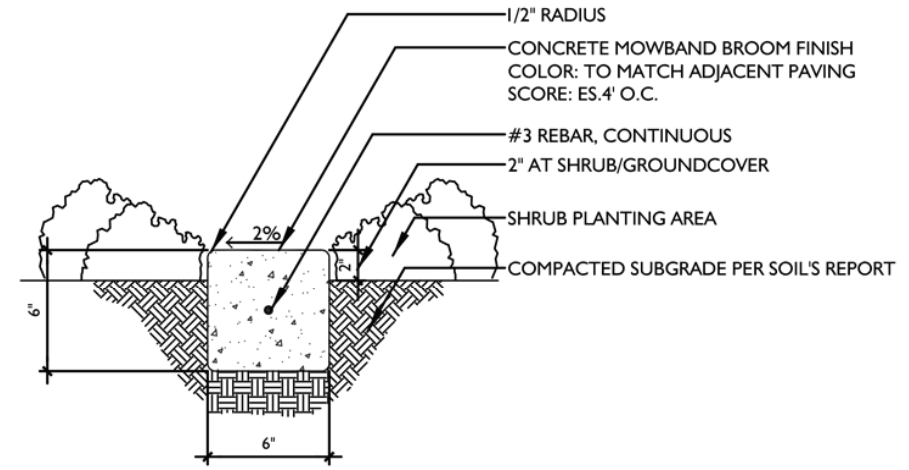
NOTES:

1. INSTALLATION TO BE COMPLETED IN ACCORDANCE WITH MANUFACTURER'S SPECIFICATIONS.
2. ALL DIMENSIONS ARE CONSIDERED TRUE AND REFLECT MANUFACTURER'S SPECIFICATIONS.
3. DO NOT SCALE DRAWING.
4. FOR ORDERING DIVIDE NUMBER OF FEET NEEDED BY 9.33 TO OBTAIN THE NUMBER OF 10' PEICES NEEDED.
5. CONTRACTOR'S NOTE: FOR PRODUCT AND COMPANY INFORMATION VISIT www.CADdetails.com/info REFERENCE NUMBER 1023-003.

1023-003

PROTECTED BY COPYRIGHT ©2012 CADdetails.com LTD.

www.CADdetails.com



6" CONCRETE MOWBAND

SCALE: 1" = 1'-0"

DESIGN STANDARD for Pedestrian Concrete Paving

Purpose:

The purpose of this document is to standardize concrete paving in pedestrian areas. This design standard achieves the purpose of ensuring the quality of maintenance, reliability, and safety of paving on campus.

Design Standard:

- 4" thick for Standard Pathways with rebar reinforcement
- #3 at 16" thick for paths with occasional vehicular traffic
- #4 @ 12" thick for fire truck access
- Poured-in-place concrete
- SRI Reflectance rating 0.3 minimum

Approved Manufacturers:

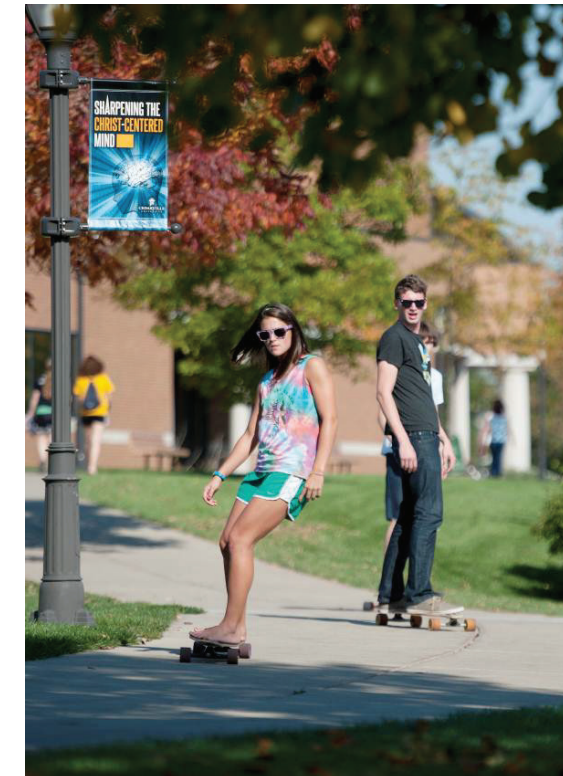
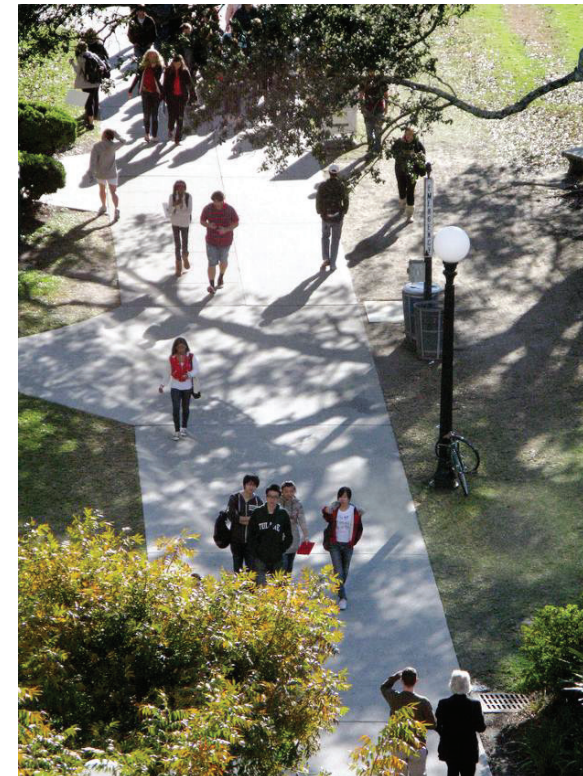
- L.M. Scofield Co. Chromix Admixture
 - Medium broom with 1 ½" troweled edge
 - No color specified
 - Phone: (800) 800-9900
- Portland Cement. ASTM C150, Type 1, natural color
- Specialty finishes: exposed aggregate, stamped concrete

Substitutes Allowed:

Approved manufacturer or approved equal

Associated Design Standards and Construction Specifications

1. American Society of Testing and Materials, (ASTM).
2. American Concrete Institute, (ACI).
3. California Building Code (CBC)
4. State Standard Specifications, California Department of Transportation.
5. American National Standards Institute, (ANSI).
6. Bay Area Air Quality Management District, Sandblasting Guidelines.



DESIGN STANDARD for Pavers

Purpose:

The purpose of this document is to standardize the use of pavers in pedestrian areas. This design standard ensures the quality of maintenance, reliability, and safety of pavers on campus.

Design Standard:

- Pavers to be used in specialty spaces for a decorative element

Approved Manufacturers:

- Pavers

Manufacturer: Basalite, basalite.com

Phone: (707) 678-1901

Model: Cityscape Series

Davis Color Options: Dune, Pebble, Taupe and Pewter

- Permeable Paver

Manufacturer: Basalite, basalite.com

Phone: (707) 678-1901

Model: SF Rima Series

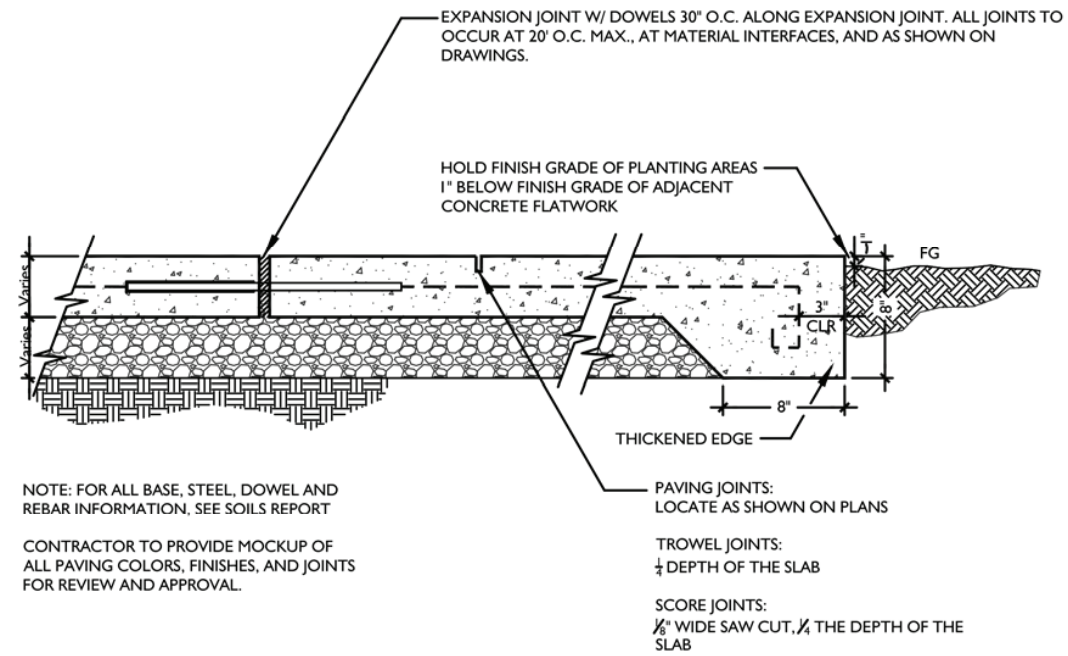
Davis Color Options: Dune, Pebble, Taupe and Pewter

- Edge Restraint – provide edge restraints installed around the perimeter of all interlocking concrete paving unit areas

Manufacturer: Snap Edge Corporation supplied by Genest Concrete Works, Inc.

Phone: (800) 932-3343

Model: Snap Edge



PEDESTRIAN CONCRETE PAVING

SCALE: 1" = 1'-0"

Substitutes Allowed:

Approved manufacturer or approved equal

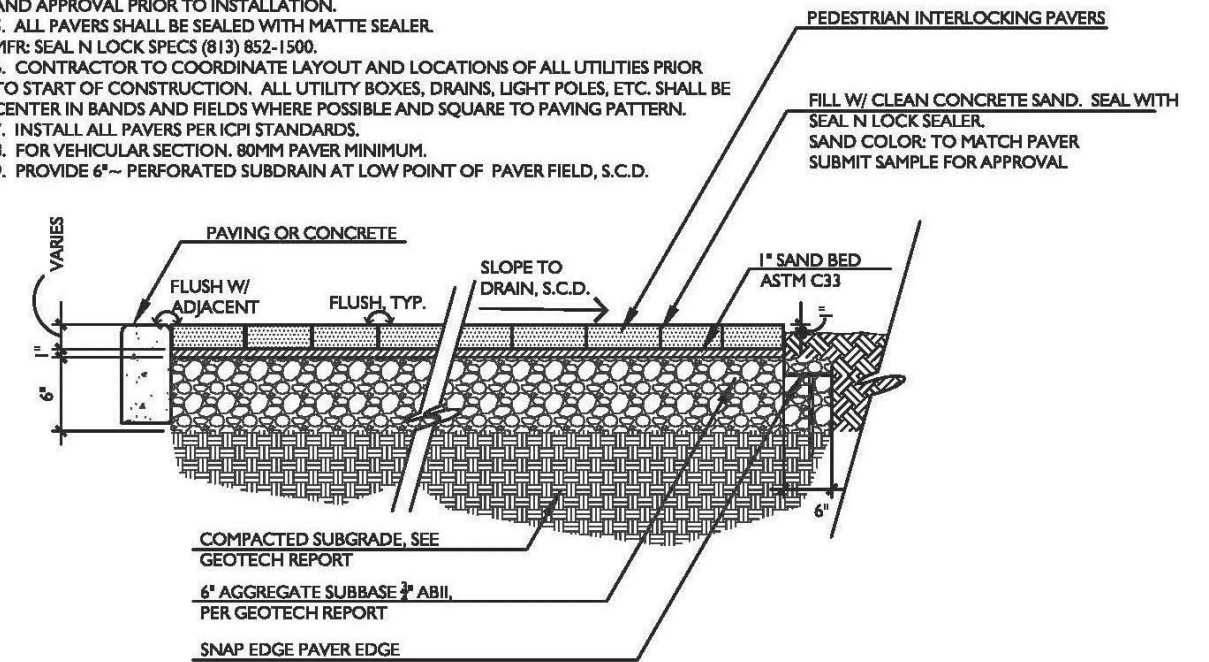
Associated Design Standards and Construction Specifications

- a. American Society for Testing and Materials (ASTM):
 - 1) ASTM C 33, Standard Specification for Concrete Aggregates.
 - 2) C 67, Standard Test Methods for Sampling and Testing Brick and Structural Clay Tile, Section 8, Freezing and Thawing.
 - 3) ASTM C 136, Standard Test Method for Sieve Analysis of Fine and Coarse Aggregates.
 - 4) ASTM C 140, Standard Test Methods for Sampling and Testing Concrete Masonry Units and Related Units.
 - 5) ASTM C 144, Standard Specification for Aggregate for Masonry Mortar.
 - 6) ASTM C 936, Standard Specification for Solid Concrete Interlocking Paving Units.
 - 7) ASTM C 979, Standard Specification for Pigments for Integrally Colored Concrete.
 - 8) ASTM D 698, Standard Test Method for Laboratory Compaction Characteristics of Soil Using Standard Effort (12,000 ft-lbf/ft³ (600 kN-m/m³)).
 - 9) ASTM D 1557, Test Method for Laboratory Compaction Characteristics of Soil Using Modified Effort (56,000 ft-lbf/ft³ (2,700 kN-m/m³)).
 - 10) ASTM D 2940, Specification for Graded Aggregate Material for Bases or Subbases for Highways or Airports.
- b. Interlocking Concrete Pavement Institute (ICPI):
 - 1) ICPI Tech Spec Technical Bulletins

Install per manufacturers specifications.

NOTES:

1. CONTRACTOR TO VERIFY PAVERS SHALL HAVE POSITIVE DRAINAGE.
2. SEE GEOTECHNICAL REPORT FOR ADDITIONAL INFORMATION
3. HOLD FG OF PLANTING AREAS 1" BELOW FG OF PAVING
4. CONTRACTOR TO PROVIDE 10' X 10' MOCK UP OF ALL PAVERS FOR OWNERS REVIEW AND APPROVAL PRIOR TO INSTALLATION.
5. ALL PAVERS SHALL BE SEALED WITH MATTE SEALER.
MFR: SEAL N LOCK SPECS (813) 852-1500.
6. CONTRACTOR TO COORDINATE LAYOUT AND LOCATIONS OF ALL UTILITIES PRIOR TO START OF CONSTRUCTION. ALL UTILITY BOXES, DRAINS, LIGHT POLES, ETC. SHALL BE CENTER IN BANDS AND FIELDS WHERE POSSIBLE AND SQUARE TO PAVING PATTERN.
7. INSTALL ALL PAVERS PER ICPI STANDARDS.
8. FOR VEHICULAR SECTION, 80MM PAVER MINIMUM.
9. PROVIDE 6" PERFORATED SUBDRAIN AT LOW POINT OF PAVER FIELD, S.C.D.

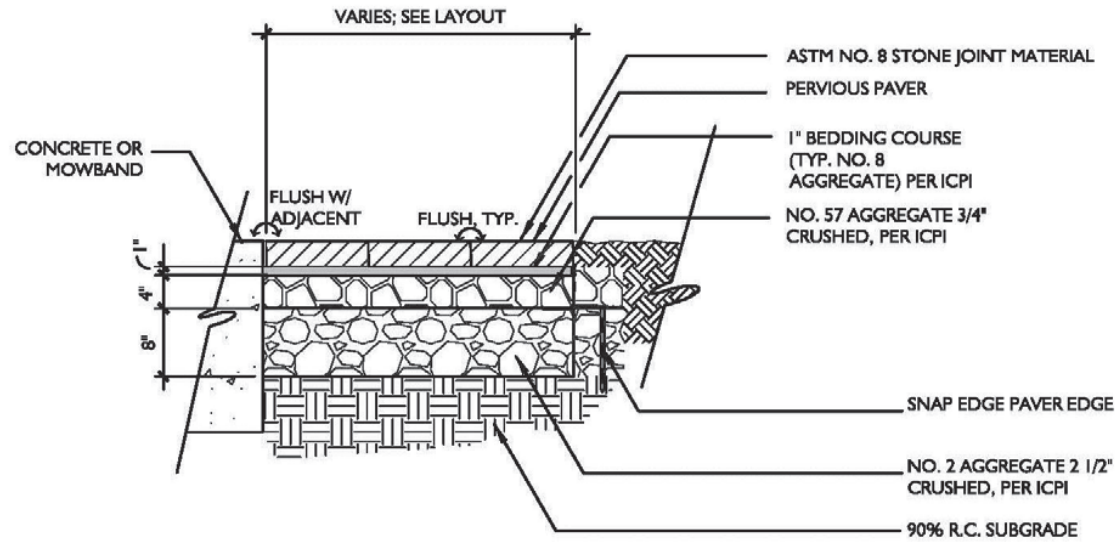


PEDESTRIAN INTERLOCKING PAVERS

SCALE: 3/4" = 1'-0"

NOTES:

1. CONTRACTOR TO VERIFY PAVERS SHALL HAVE POSITIVE DRAINAGE.
2. SEE GEOTECHNICAL REPORT FOR ADDITIONAL INFORMATION
3. HOLD FG OF PLANTING AREAS 1" BELOW FG OF PAVING
HOLD FG OF SOD 1/2" BELOW FG OF PAVING
4. CONTRACTOR TO PROVIDE 10' X 10' MOCK UP OF ALL PAVERS FOR OWNERS REVIEW AND APPROVAL PRIOR TO INSTALLATION.
5. CONTRACTOR TO COORDINATE LAYOUT AND LOCATIONS OF ALL UTILITIES PRIOR TO START OF CONSTRUCTION. ALL UTILITY BOXES, DRAINS, LIGHT POLES, ETC. SHALL BE CENTER IN BANDS AND FIELDS WHERE POSSIBLE AND SQUARE TO PAVING PATTERN.
6. INSTALL ALL PAVERS PER ICPI STANDARDS.
7. FOR VEHICULAR SECTION. 80MM PAVES MINIMUM.



PERMEABLE PAVERS

SCALE: 3/4" = 1'-0"

DESIGN STANDARD for Planting

Purpose:

The purpose of this document is to standardize the benches used throughout the campus. This design standard achieves the purpose of ensuring the quality of maintenance, reliability, and aesthetic value of these objects on campus.

Design Standard:

- No plant material shall be planted until the Landscape Architect has approved its quality and placement.
- Plant trees 5'-0" minimum from paving edges
- Install headerboards between lawn and shrub or groundcover areas and non-landscaped areas
- Mulch all groundcover areas and shrub beds with a layer of recycled bark, 3" deep. Mulch shall be between 1/2" and 1" diameter and between 1" and 2" long.
- Pruning: Under no circumstances will stripping of lower branches ("raising up") of young trees be permitted. Lower branches shall be retained in a "tipped back" or pinched condition with as much foliage as possible to promote caliper trunk growth (tapered trunk). All pruning shall be made flush to lateral branches, buds, or trunk. "Stubbing" will not be permitted.
- Secure all vines to walls, or trellis, or supports with approved fasteners, allowing for two years growth.
- All slopes greater than 2.5:1 shall be covered with biodegradable jute netting per the manufacturer's specifications. Overlap all edges a minimum of 2" and secure as required with metal staples.
- Landscape design for location of trees and bushes to be coordinated with site lighting and security camera locations to maximize visibility of pathways and people to enhance safety and security.

TREE PALETTE

LEGEND

Water Requirements

Very Low



Low



Moderate



Regular



Spine & Bosque Trees



Acer Rubrum 'New World'
New World Red Maple
Location: Secondary Spines
Height: 35'
Spread: 15'
Deciduous



Carpinus betulus 'Frans Fontaine'
Columnar Hornbeam
Location: Primary Spines
Height: 40'
Spread: 15'
Deciduous



Spine & Bosque Trees Continued...



Pyrus calleryana 'Capital'
Callery Pear
Height: 40'
Spread: 15'
Deciduous



Pyrus serrulata 'Amanogawa'
Amanogawa Japanese Flowering Cherry
Height: 25'
Spread: 12'
Deciduous



Prunus yedoensis 'Akebono'
Akebono Cherry
Height: 25'
Spread: 25'
Deciduous



Spine & Bosque Trees Continued...



Quercus robur 'Fastigiata'
Columnar English Oak
Height: 50'
Spread: 15'
Deciduous



Zelkova serrata 'Musashino'
Zelkova
Location: Tertiary Spines
Height: 40'
Spread: 15'
Deciduous



Canopy/ Shade Trees



Celtis sinensis
Chinese Hackberry
Height: 35'
Spread: 40'
Deciduous



Canopy / Shade Trees Continued...



Ulmus parvifolia
Chinese Elm
Height: 50'
Spread: 60'
Deciduous



Parking Lot / Shade Trees Continued...



Quercus Virginiana
Southern Live Oak
Height: 40'-60'
Spread: 40'-60'
Evergreen



Orchard Tree



Malus spp.
Crabapple
Height: 25'
Spread: 25'
Deciduous



Parking Lot / Shade Trees



Pistacia chinensis
Chinese Pistache
Height: 30'-60'
Spread: 30'-60'
Deciduous



Accent & Entry Trees



Chitalpa tashkenensis
Chitalpa
Height: 25'
Spread: 20'-30'
Deciduous



Screen Trees



Calocedrus decurrens
Incense Cedar
Height: 20' (40' with age)
Spread: 10' (70' with age)
Evergreen



Platanus acerifolia 'Columbia'
London Plane Tree
Height: 50'
Spread: 30'
Deciduous



Lagerstroemia indica
Crape Myrtle
Height: 25'
Spread: 25'
Deciduous



Screen Trees Continued...



Elaeocarpus decipiens
Japanese Blueberry
Height: 50'
Spread: 25'
Evergreen



Laurus nobilis
Sweet Bay
Height: 30'
Spread: 45'
Evergreen



Podocarpus elongata 'Ice Blue'
Blue Ice Yellow-Wood
Height: 20'
Spread: 20'
Evergreen



Screen Trees Continued...






Thuja Plicata
Western Red Cedar
Height: 60'
Spread: 20'
Evergreen



PLANTING PALETTE


LEGEND

Sun/ Shade Requirements

- Full Sun 
- Partial Sun 
- Shade 

Water Requirements

- Very Low 
- Low 
- Moderate 
- Regular 

- California Native 

Groundcovers and Vines



Acacia redolens
Kinnikinnick Manzanita
Height: 1' to 3'
Spread: 4' to 6'
Evergreen



Arctostaphylos uva-ursi
Kinnikinnick Manzanita
Height: 6" to 1'
Spread: 6" to 1'
Evergreen



Groundcovers and Vines Continued...



Campsis radicans
Trumpet Vine
Fast growing
Deciduous



Carex pansa
Dune Sedge
Height: 10"
Spread: 1'
Evergreen



Ceanothus griseus horizontalis
Ceanothus
Height: 1' to 2.5'
Spread: 5' to 15'
Evergreen



Cotoneaster horizontalis
Prostrate Cotoneaster
Height: 2'
Spread: 7'
Evergreen



Erigeron karvinskianus
Santa Barbara Daisy
Height: 1'
Spread: 4'
Evergreen



Groundcovers and Vines Continued...



Ficus pumila
Creeping Fig
Fast Grower
Evergreen



Gazania hybrids
Gazania
Height: 6" to 1'
Spread: 2' to 4'
Evergreen



Hypericum reptans
Gazania
Height: 6" to 1'
Spread: 2' to 4'
Deciduous



Lantana montevidensis
Lantana
Height: 6" to 2'
Spread: 1' to 2.5'
Evergreen



Leymus condensatus 'Canyon Prince'
Giant Wild Rye
Height: 2'
Spread: 2'
Evergreen



Groundcovers and Vines Continued...



Myoporum parvifolium
Myoporum
Height: 6" to 1'
Spread: 3' to 9'
Evergreen



Pennisetum setaceum 'Rubrum'
Purple Fountain Grass
Height: 3'
Spread: 3'



Rosa meidiland
Meidiland Rose
Height: 2' to 4'
Spread: 3' to 5.5'
Deciduous



Rosa x Noatraum
Flower Carpet Pink Groundcover Rose
Height: 2'
Spread: 3'
Deciduous



Rosmarinus officinalis 'Prostratus'
Rosemary
Height: 2'
Spread: 8'
Evergreen



Groundcovers and Vines Continued...



Sedum rupestre
Stonecrop
Height: 6" to 1'
Spread: 1' to 1.5'
Evergreen



Teucrium fruticans
Shrubby Germander
Height: 3'
Spread: 13'
Evergreen



Trachelospermum jasminoides
Star Jasmine
Height: 2'
Spread: 10'
Evergreen



Westringia fruticosa 'Snow Flurry'
Snow Flurry Westringia
Height: 5'
Spread: 9'
Evergreen



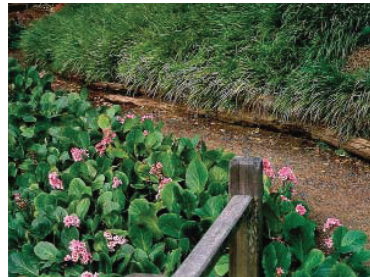
Low Shrubs



Agave attenuata
Fox Tail Agave
Height: 4' to 5'
Spread: 6' to 8'
Evergreen



Arbutus unedo 'Compacta'
Compact Strawberry Bush
Height: 35'
Spread: 35'
Evergreen



Bergenia cordifolia
Bergenia
Height: 1' to 2'
Spread: 1.5' to 2.5'
Evergreen



Carex divulsa
Sedge
Height: 1' to 1.5'
Spread: 1' to 2.5'
Evergreen



Coleonema pulchrum 'Sunset Gold'
Breath of Heaven
Height: 1.5' to 2.5'
Spread: 2.5' to 4'
Evergreen



Low Shrubs Continued...



Coprosma kirkii 'Variegata'
Coprosma Height: 1'
Height: 1' to 2'
Spread: 5'
Evergreen



Festuca glauca
Blue Fescue
Height: 6" to 1'
Spread: 10" to 1'
Evergreen



Helictotrichon sempervirens
Blue Oat Grass
Height: 2' to 3'
Spread: 2' to 3'
Evergreen



Heuchera hybrids
Coral Bells
Height: 1' to 1.5'
Spread: 1.5' to 2'
Evergreen



Liriope muscari
Lilyturf
Height: 6" to 1'
Spread: 1' to 1.5'
Evergreen



Low Shrubs Continued...



Yucca glauca
 Soapweed Yucca
 Height: 4'
 Spread: 3' to 4'
 Evergreen



Tulbaghia violacea 'Silver lace'
 Society Garlic
 Height: 2'
 Spread: 1'
 Evergreen



Intermediate Shrubs



Abelia grandiflora 'Kaleidoscope'
 Kaleidoscope Abelia
 Height: 2' to 3'
 Spread: 3' to 4'
 Evergreen



Berberis thunbergii
 Barberry
 Height: 4' to 6'
 Spread: 4' to 6'
 Deciduous



Calamagrostis acutiflora 'Karl Foerster'
 Karl Foerster
 Height: 2' to 3'
 Spread: 2' to 3'
 Evergreen



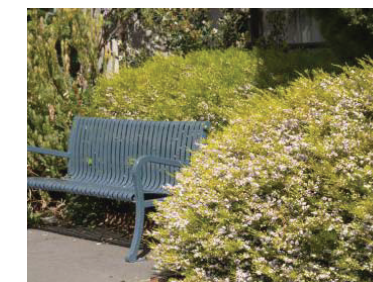
Callistemon viminalis 'Little John'
 Bottlebrush
 Height: 2.5' to 3'
 Spread: 3' to 3.5'
 Evergreen



Cistus purpureus
 Rockrose
 Height: 3.5' to 4'
 Spread: 3.5' to 4'
 Evergreen



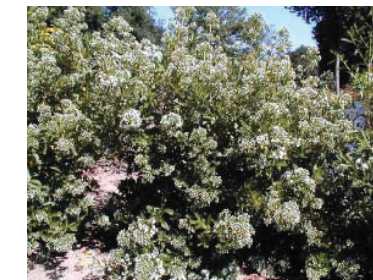
Intermediate Shrubs Continued...



Coleonema puchellum
 Pink Breath of Heaven
 Height: 3' to 4.5'
 Spread: 3' to 4.5'
 Evergreen



Dietes vegata 'Variegata'
 Fortnight Lily
 Height: 3' to 4'
 Spread: 3' to 4'
 Evergreen



Escallonia bifida
 White Escallonia
 Height: 8'-12'
 Spread: 10'-15'
 Evergreen



Euonymus fortunei 'Canadale Gold'
 Canadale Gold Wintercreeper
 Height: 3' to 4'
 Spread: 3' to 3.5'
 Evergreen



Hemerocallis hybrids (evergreen)
 Daylily
 Height: 2' to 3'
 Spread: 2' to 3'
 Evergreen



Intermediate Shrubs Continued...



Juncus Patens
California Gray Rush
Height: 1' to 2'
Spread: 1' to 2'
Evergreen



Lomandra longifolia
Mat Rush
Height: 2' to 4'
Spread: 2' to 4'
Evergreen



Miscanthus sinensis
Japanese Silver Grass
Height: 2' to 4'
Spread: 2' to 4'
Deciduous



Nassella tenuisima
Mexican Feather Grass
Height: 1' to 3'
Spread: 1' to 3'
Evergreen



Olea europaea 'Montra'
Little Olive
Height: 6' to 8'
Spread: 4' to 5'
Evergreen



Intermediate Shrubs Continued...



Phormium hybrids 'Maori Maiden'
New Zealand Flax
Height: 2' to 3'
Spread: 3' to 4'
Evergreen



Phormium 'Jack Spratt'
New Zealand Flax
Height: 1' to 2'
Spread: 1' to 2'
Evergreen



Phormium 'Wings of Gold'
Mexican Feather Grass
Height: 3' to 4'
Spread: 2' to 3'
Evergreen



Pittosporum tobira 'Variegata'
Mock Orange
Height: 4' to 5'
Spread: 4' to 5'
Evergreen



Rhamnus californica 'Seaview'
Dwarf Coffeeberry
Height: 2'
Spread: 4'
Evergreen



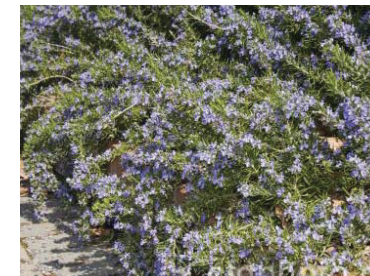
Intermediate Shrubs Continued...



Raphiolepis indica 'Spring Rapture'
Indian Hawthorn
Height: 4' to 5'
Spread: 4' to 5'
Evergreen



Rosa knockout 'Pink'
Pink Knockout Rose
Height: 3' to 4'
Spread: 3' to 4'
Deciduous



Rosemary officinilis 'Irene'
Trailing Blue Rosemary
Height: 2' to 3'
Spread: 6' to 8'
Evergreen



Salvia gregii
Autumn Sage
Height: 2' to 3'
Spread: 2' to 3'
Evergreen



Senecio cineraria
Dusty Miller
Height: 2'
Spread: 2'
Evergreen



Intermediate Shrubs Continued...



Viburnum davidii
Indian Hawthorn
Height: 2' to 3'
Spread: 3' to 4'
Evergreen



Background and Screen Shrubs



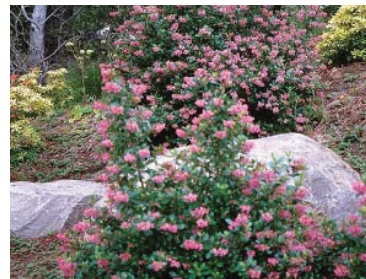
Acanthus mollis
Bear's Breech
Height: 4' to 6'
Spread: 4' to 6'
Evergreen



Ceanothus 'Joyce Coulter'
Ceanothus
Height: 2' to 5'
Spread: 10' to 12'
Evergreen



Dodonaea viscosa 'Purpurea'
Hopseed Bush
Height: 8' to 12'
Spread: 6' to 10'
Evergreen



Escallonia exoniensis 'Fradesii'
Pink Princess Escallonia
Height: 5' to 6'
Spread: 5' to 6'
Evergreen



Loropetalum chinense
Chinese Fringe Flower
Height: 6' to 10'
Spread: 6' to 10'
Evergreen



Background and Screen Shrubs Continued...



Myrtus communis
Myrtle
Height: 4' to 6'
Spread: 3' to 5'
Evergreen



Phormium hybrids 'Yellow Wave'
New Zealand Flax
Height: 4' to 6'
Spread: 4' to 6'
Evergreen



Rhus integrifolia
Lemonade Tree
Height: 6' to 10'
Spread: 10' to 15'
Evergreen



Rhapiolepis x 'Montic'
Indian Hawthorn
Height: 20' to 25'
Spread: 8' to 10'
Evergreen



Westringia fruticosa 'Morning Light'
Coast Rosemary
Height: 3' to 4'
Spread: 3' to 4'
Evergreen



DESIGN STANDARD for Tables and Chairs

Purpose:

The purpose of this document is to standardize the tables and chairs used for group seating. This design standard ensures the quality of maintenance, reliability, and safety of tables and chairs on campus.

Design Standard:

- Must allow clearance for pedestrian movement around tables and chairs
- Should be placed in a variety of settings, with some shade
- Must be ADA compliant

Approved Manufacturers:

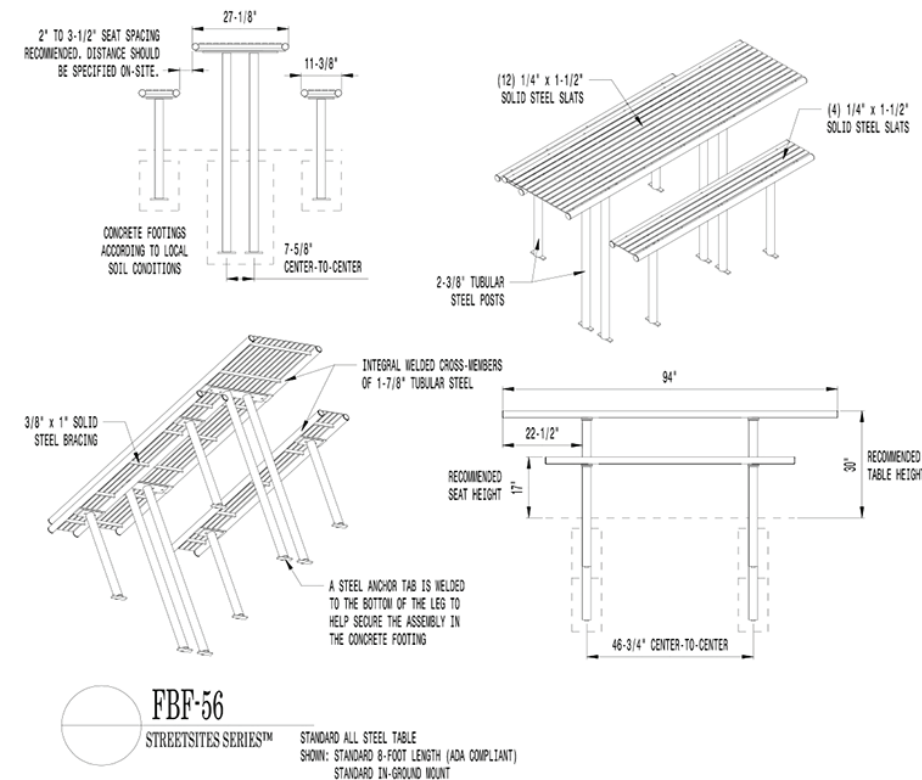
- Victor Stanley; FBF-56 Streetsites Series, 8' Steel Table and (2) 6' Benches
 - Color: Powder coat grey
 - Mount: In-Ground
- Victor Stanley; A-I-424 Anthrosites Series, all metal
 - Color: Powder coat grey
 - Mount: In-Ground



VICTOR STANLEY™

Create a timeless moment.™

Product may be patented. Visit VICTORSTANLEY.COM for details.



Substitutes Allowed:

Approved manufacturer or approved equal

Associated Design Standards and Construction Specifications

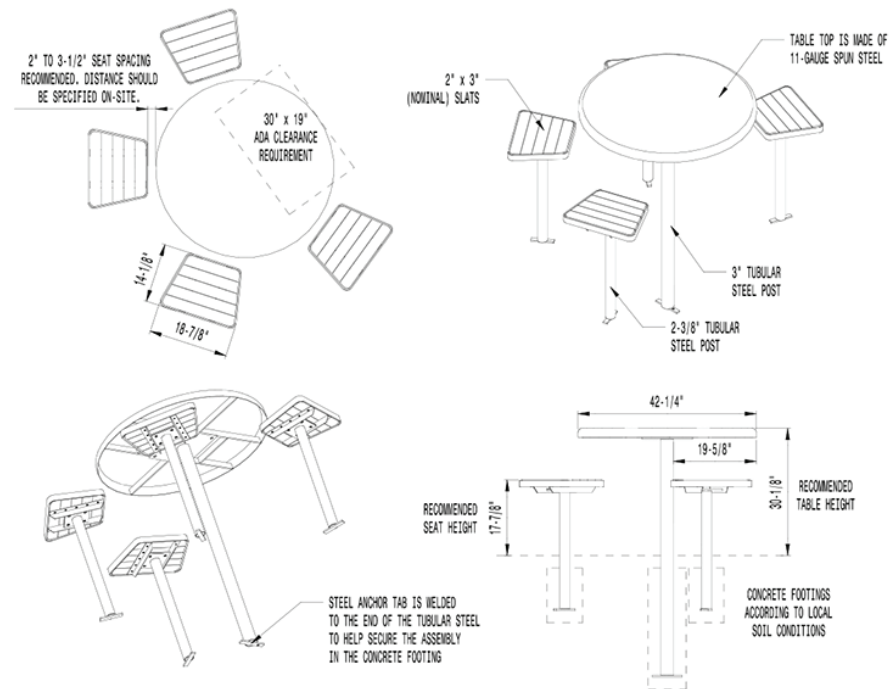
Install per manufacturer's specifications.



VICTOR STANLEY™

Create a timeless moment.™

Product may be patented. Visit VICTORSTANLEY.COM for details.



A-I-424

ANTHRO-SITES™ SERIES

STEEL TABLE, BACKLESS SEATS WITH WOOD SLATS
SHOWN: STANDARD IN-GROUND MOUNT
STANDARD ADA CONFIGURATION

TABLE TOP
AVAILABLE WITH OPTIONAL UMBRELLA HOLE
MOUNTING
STANDARD IN-GROUND (AS SHOWN) AND SURFACE MOUNT

DESIGN STANDARD for Trash and Recycling Receptacles

Purpose:

The purpose of this document is to standardize the trash, waste, and recycling receptacles used throughout all the campuses.

Design Standard:

- Trash and recycling should be placed together
- Place at main entrances to buildings, plazas, and pedestrian walkways
- Place with other site furniture for functional and organized gathering areas

Approved Manufacturers:

- Landscape Forms: Scarborough Litter Receptacle with 30-gallon side opening, Vertical strap, with Lock
 - Finish: Pangard II® polyester
 - Color: powder coat Stormcloud for trash receptacles; powder coat Bluebell for recycling receptacles
- Landscape Forms: Scarborough Receptacle with 30-gallon side opening, Vertical strap, dual use
 - Finish: Pangard II® polyester
 - Color: powder coat Stormcloud for trash receptacles; powder coat Bluebell for recycling receptacles

Substitutes Allowed:

Approved manufacturer or approved equal.

Associated Design Standards and Construction Specifications

Install per manufacturer's specifications

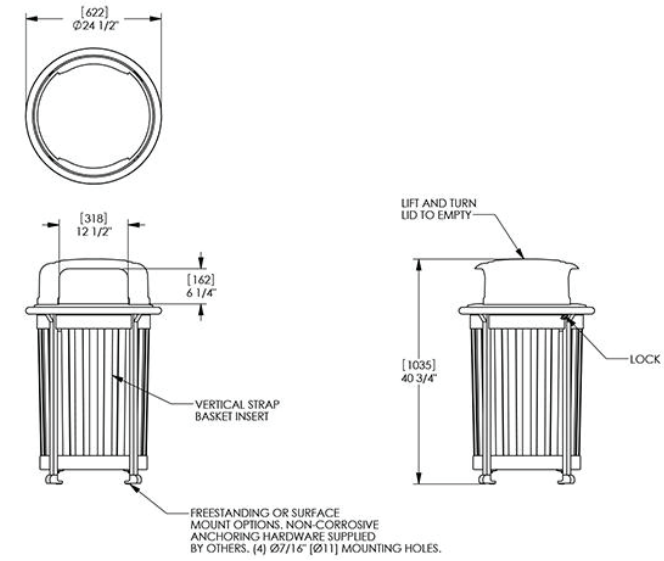


Scarborough™

Litter Receptacle, Side Opening, 30 Gallon, Vertical Strap, with Lock

landscapeforms®

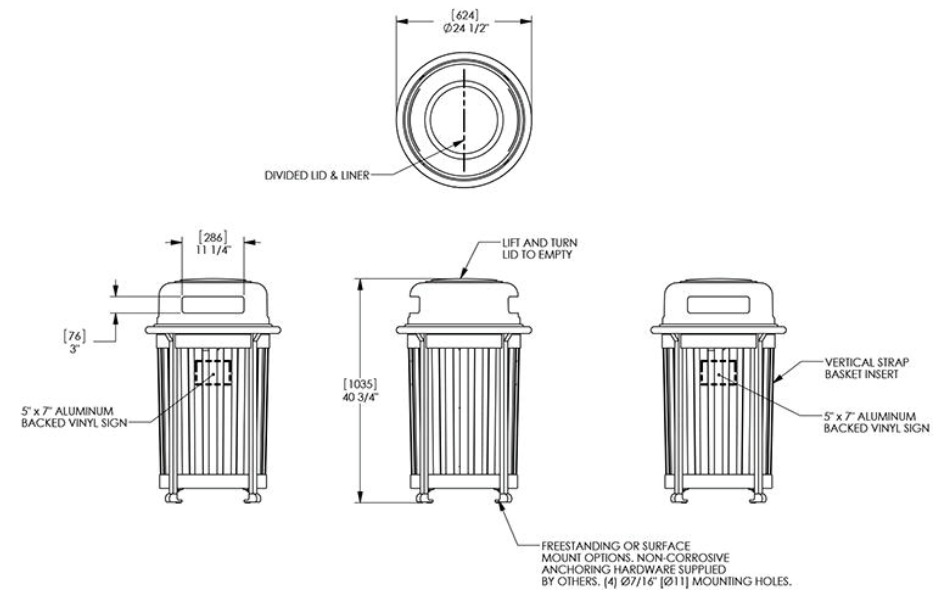
www.landscapeforms.com Ph: 800.521.2546



Scarborough™

Product Drawing Receptacle, 30 Gallon, Side Opening, Vertical Strap, Dual Use, Two Slot Openings

www.landscapeforms.com Date: 12/11/2013 Ph: 800.521.2546



DESIGN STANDARD for Tree Grates

Purpose:

The purpose of this document is to standardize the tree grates used throughout the campus. This design standard achieves the purpose of ensuring the quality of maintenance, reliability, and aesthetic value of these objects on campus.

Design Standard:

- Can be used in high traffic areas or where space is limited

Approved Manufacturers:

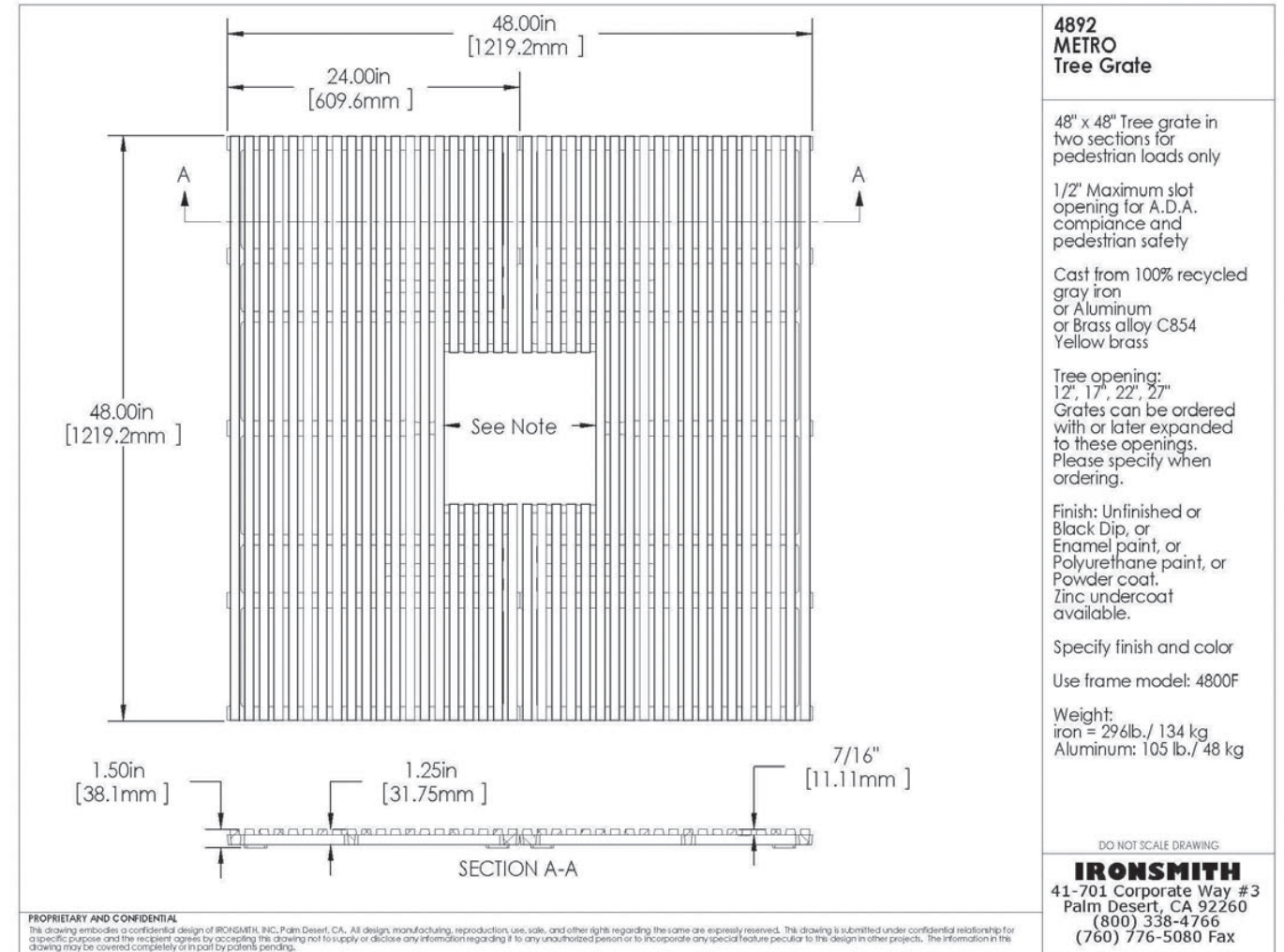
- IronSmith. Metro Tree Gate, 1/2" slots, with anti-theft hardware
 - Material: Cast aluminum
 - Finish: Brushed

Substitutes Allowed:

Ironsmith Metro Tree Gate or approved equal

Associated Design Standards and Construction Specifications

Install per manufacturer specifications



Architectural Standards

DESIGN STANDARD for Acoustical Panel Ceilings

Purpose:

The purpose of this design standard is to achieve the following performance and sustainability criteria for acoustical ceiling panels installed at the Solano Community College District sites:

- High noise reduction and CAC coefficients
- Good light reflectance to conserve energy associated with mechanical lighting
- Product using recycled content
- High humidity resistance to prevent sagging

Note: these Design Standards are a tool to clarify direction and streamline project execution for design professionals, construction managers and other participants in capital improvement projects. They represent the District's "strong preference" and should be applied, when possible, without compromising the creativity of the overall design. Final disposition, color, size, product choice etc. should conform to the best extent possible where equivalent substitutes are allowed in the Design Standard. If equivalent substitutes are allowed only "if performance and quality equivalency can be evidenced" or the consultant wishes to deviate from the written design standards for other reasons, then the consultant needs to provide evidence/justification and seek District approval as outlined in the [Open this Document First: Standards Process.pdf](#). In all cases the written design standards do not diminish or eliminate the standard of care owed by the consultant to SCCD or relieve, in any manner whatsoever, a consultant from any professional responsibility, duty or due diligence required toward that work.

Design Standard:

- Solano College's preference is to simplify design, construction and maintenance by limiting panels to one type (and standard sizes) in any given project, unless programmatic requirements call for specialized/unusual sized panels in certain areas.
- Specialized/unusual size panels have to be reviewed and approved by the Director of Facilities. Larger size panels are harder to remove and replace so factors contributing to approval are the location of panels with respect to items above ceilings that need to be maintained/serviced.
- Design Professionals should specify that contractor is to provide 10% attic stock for all panel types used on this project.
 - This attic stock will be stored in the Custodial Main Storage Room within the same building (see [Design Standard for Custodial Spaces](#)). Doing so avoids confusion with which panels belong to which buildings and reduces maintenance time associated with locating extra stock and replacing panels.

- For Standard Typical Applications:
 1. **Lowest Grade of Acoustic Ceiling Panel:** use only when acoustic criteria, light reflectance, recycled content and humidity resistance are not of high priority and the space is temporary or of utility use only.
 - Size: 2' x 4' x 5/8" Flat Panel
 - Color: White
 - Style: Square Lay-in
 - NRC Rating: 0.55
 - CAC Rating: 0.35
 - LR Rating: 0.80
 - Recycled Content: not less than 40%
 - Cost Rating: \$
 - Product: USG Radar #2315 or equivalent in performance criteria above.
 2. **Highest Grade of Acoustic Ceiling Panel:** for normal occupied classroom, corridor and office spaces. This panel has the "second look" in that it is a 2' x 4' panel with a tegular 2' x 2' appearance, which adds textural richness to the ceiling plane while still using the economical and easily accessible larger grid spacing.
 - Size: 2' x 4' x 5/8" Flat Panel
 - Color: White
 - Style: Angled Tegular
 - NRC Rating: 0.70
 - CAC Rating: 0.35 or higher
 - LR Rating: 0.85
 - Recycled Content: no less than 40%
 - Cost Rating: \$\$
 - Product: USG Millennia Clima Plus, Illusion Two/24 Panels, SLT Edge detail, Panel #78780, or equivalent as long as "second look" aesthetic and performance criteria as noted above are met.
 3. **Special Grade of Acoustic Ceiling Panel:** for applications such as computer and control rooms, kitchens/food prep areas (specify Class 100 panels) and laboratories that may require this level of cleanability.
 - Size: 2' x 4' x 5/8" Flat Panel
 - Class: 10M-100M Panels typical, Class 100 panels for Kitchen/Prep Areas.
 - Color: White
 - Style: Square
 - NRC Rating: 0.55
 - CAC Rating: 0.35
 - LR Rating: 0.79
 - Recycled Content: no less than 40%
 - Cost Rating: \$\$\$
 - Product: USG Clean Room ClimaPlus, 10M-100M Panels, Panel # 56090 or equivalent as long as performance criteria as noted above are met.
- Suspended Grid System: USG Donn/DX series, white.

Approved Manufacturers:

As noted in this Standard.

Substitutes Allowed:

As noted in this Standard.

Associated Design Standards and Construction Specifications

Design Standard for Custodial Spaces.

End of Document

DESIGN STANDARD for Casework

Purpose:

The purpose of this design standard is to create a consistent standard for the quality, reliability and ease of maintenance for casework throughout the Solano Community College District. Casework must be designed and installed with the understanding that it will be subject to decades of use, abuse and continually changing applications. Casework should be simple and intuitive to use. Surface materials should hide dirt and wear, while being aesthetically pleasing.

Note: these Design Standards are a tool to clarify direction and streamline project execution for design professionals, construction managers and other participants in capital improvement projects. They represent the District's "strong preference" and should be applied, when possible, without compromising the creativity of the overall design. Final disposition, color, size, product choice etc. should conform to the best extent possible where equivalent substitutes are allowed in the Design Standard. If equivalent substitutes are allowed only "if performance and quality equivalency can be evidenced" or the consultant wishes to deviate from the written design standards for other reasons, then the consultant needs to provide evidence/justification and seek District approval as outlined in the [Open this Document First: Standards Process.pdf](#). In all cases the written design standards do not diminish or eliminate the standard of care owed by the consultant to SCCD or relieve, in any manner whatsoever, a consultant from any professional responsibility, duty or due diligence required toward that work.

Design Standard:

1. Countertops

- Science or Vocational laboratory countertops shall be cast of epoxy resin for the following reasons:
 - Solid materials, such as epoxy resin, do not delaminate, nor do they contain off-gassing glues/binders; therefore, the quality of indoor air is healthier.
 - Epoxy resin does not depend on a surface coating for chemical resistance.
 - Molded construction allows for integral back-splashes and marine edges.
 - A non-glare matte finish is attractive and easy to maintain.
 - Plastic Laminates are not permitted for Science or Vocational Laboratory countertops.
- SCCD's preference for other countertops is natural stone such as slab granite, recycled glass material Terrazo, composite engineered stone, or a solid material such as epoxy resin for the following reasons:
 - These materials does not contain off-gassing glues/binders; therefore they contribute to healthier indoor air quality, and they do not have the de-lamination issues associated with plastic laminates.



- For non-wet conditions alternate materials will be considered. Design professionals are encouraged to consider sustainable products such as wood and bamboo, 9-ply plywood and other similar sustainably produced products that do not contain off-gassing glues/binders. Plastic laminates are discouraged due to the de-lamination issues, but may be permitted on a case by case basis.
- For countertops with sinks: locate sink faucets so that outlet is well over sink to prevent water splashing onto counter top.
 - Sinks shall be fabricated of a material equal to or better than counter top material. Verify required size and depth of sinks with User.
- All edges shall have fused edging, such as 3MM PVC, and backer sheet. Self-edges, T-mold or bull-nosed laminate edges are unacceptable.

2. Casework:

- Casework shall be WIC Certified.
- The use of the WIC Manual of Millwork as a standard of performance is acceptable provided the specific grades which are applicable are specified.
 - Minimum quality for casework shall be WIC Custom Grade.
 - Science and vocational laboratory casework shall be WIC Laboratory quality.
- Include in construction specifications the requirement for contractor to arrange for and pay costs of WIC inspections, and obtain WIC Certified Compliance Label on each unit of casework indicating grade specified. In order to allow non-WIC licensed millwork contractors to bid on SCCD projects, include the following provision in construction specifications:

“Millwork specified shall be manufactured in accordance with the standards established in the Manual of Millwork of the Woodwork Institute of California, current edition, in the grade or grades hereinafter specified or as shown on the drawings. If the manufacturer of millwork is not a WIC licensee, Contractor shall furnish to Architect, prior to installation, a Certificate of Re-inspection by the WIC indicating that the millwork in question meets the requirements of the WIC grade specified. If the manufacturer of millwork is a WIC licensee, each unit of millwork shall bear the WIC Certified Compliance grade stamp indicating the grade specified, and by the completion of the job WIC Certified Compliance Certificates shall be provided indicating the grade specified. The foregoing shall not be construed to limit the power and authority of Architect to reject millwork which does not, in Architect’s opinion, meet with any one or more of the specifications of the contract.”

- Casework Design Guidelines
 - Casework is to be of modular design (4'- 0" lengths) for ease of access to building site and possible reuse in future remodeling work.
 - Design drawers and shelves for heavy loading; use metal standards/rests and/or guides only with a minimum load carrying capacity of 125 pounds.
 - Specify adequate backing in stud walls for attachment of casework, and detail same on Drawings.
 - Verify if User requires locks for casework doors and/or drawers. If locks are required, verify keying requirements with User. Comply with **Design Standard for Door Hardware**.
 - Verify if User requires glazed or full glass casework doors.
 - Where plastic laminate is used for casework cabinet bodies, verify with User whether chemical resistant type is required. If wood is used for casework bodies, verify with User whether finish must be chemical resistant.
 - Design of shelving span shall be verified with User, since they may load same with heavy equipment, etc.
 - All edges shall have fused edging, such as 3mm PVC, and backer sheet. Self-edges, T-mold or bull-nosed laminate edges are unacceptable.
 - Design minimal design details (nooks, crannies, edges in millwork) which require additional time or labor for cleaning.
 - Specify standard rubber base around exposed bases of casework, to create a unified appearance at the base of walls and casework. Direct contractor to run a bead of silicone caulk where casework base meets floor, prior to installation of rubber base, to ensure that floor cleaning activities do not damage the structural integrity of the casework base. Comply with **Design Standard for Flooring** for rubber base specification.
 - Design sloped wall cabinet tops, to discourage storage of items which is a safety hazard and a cleaning burden.
 - Casework must be adjustable over time to accommodate new contents, changes in teaching styles and technology. Ensure that such flexibility is achievable by non-tradespersons; i.e., design such flexibility into the initial design of the casework.
 - Specify adjustable metal shelf standards and rests.
 - Drawer and door pulls shall be 4" metal wire pull type, in stainless steel or satin nickel.
 - Cabinet locks: comply with requirements stated **Design Standard for Door Hardware**.
 - Drawer Slides: full extension steel slides, white epoxy coated, with steel bearing rollers and integral positive stops, anti-slamming. Static load carrying capacity of minimum 125 pounds.
 - Concealed hinges, Grade 2 European Style, 170 degree opening, all steel construction, self-closing.
 - Catch: magnetic catch with plastic housing.

3. Color/Finishes:

- The casework materials for any given project should be designed in consultation with the furniture consultant or furniture coordinator, since the architectural and furniture finishes will be experienced holistically by the building’s end users.

Approved Manufacturers:

The fabricator shall be equipped for and experienced in doing work, including fabricating, finishing, and installing, equal to standards specified, and be able to provide evidence of such experience to the Architect's and District's satisfaction. Failure to meet these qualifications may be sufficient cause for rejection.

Substitutes Allowed:

Not Applicable.

Associated Design Standards and Construction Specifications

Design Standard for Door Hardware

Design Standard for Flooring

End of Document

DESIGN STANDARD for Custodial Spaces

Purpose:

Custodial spaces include **Custodial Closets** and **Facilities Main Storage Rooms**. Adequate sized and placed custodial closets are essential for productive and efficient maintenance of a facility. Too small of a closet and too few closets add unproductive labor hours spent going back and forth to closets or other floors to gather custodial supplies and equipment. Similarly, every building must have adequate custodial storage space to store bulk supplies and equipment. The following guidelines will lower the long-term cost of maintaining a facility with increased productivity and efficiency of the custodial crew.

Note: these Design Standards are a tool to clarify direction and streamline project execution for design professionals, construction managers and other participants in capital improvement projects. They represent the District's "strong preference" and should be applied, when possible, without compromising the creativity of the overall design. Final disposition, color, size, product choice etc. should conform to the best extent possible where equivalent substitutes are allowed in the Design Standard. If equivalent substitutes are allowed only "if performance and quality equivalency can be evidenced" or the consultant wishes to deviate from the written design standards for other reasons, then the consultant needs to provide evidence/justification and seek District approval as outlined in the [Open this Document First: Standards Process.pdf](#). In all cases the written design standards do not diminish or eliminate the standard of care owed by the consultant to SCCD or relieve, in any manner whatsoever, a consultant from any professional responsibility, duty or due diligence required toward that work.

Design Standard:

A. Custodial Closets:

- Closet locations: Placed on every floor with not more than 150 feet between closets. For each 15,000 to 18,000 square feet of building floor space, provide a minimum of one closet. Locate closets adjacent to, or between, restrooms, for economics of plumbing. Alternate preferred location is close to an elevator. **Do not** locate closets in stairway landings or under stairways.
- **Do not** locate electrical panels, elevator controls, telephone equipment, roof hatches and plumbing items inside the closets.
- Closet size: should be 8' x 8' (64 sq. ft.) minimum.
- Shelving: Shelving at eye level with a minimum of two 24" deep shelves. Wooden shelves are more practical than steel because of the corrosion that can occur with chemicals. For gallon size chemicals a minimum of 18 inches between shelving is required.
- Provide adequate ventilation with an exhaust grill in the upper wall or ceiling.

- Electrical: Minimum one GFCI (ground fault circuit interrupter) outlet.
- Lighting: Provide at least 50 to 75 foot candles of illumination or a minimum two fluorescent tube ceiling light with a safety guard to protect breaking of tubes. Install a motion light sensor to conserve energy.

B. Facilities Main Storage Room:

- The Facilities Main Storage Room will store bulk supplies and equipment for building maintenance purposes and it will also store building replacement materials for that particular building (e.g. extra stock for ceiling panels, carpet tiles etc.).
- The Facilities Main Storage Room should not include boilers, water heaters, electrical panels, similar mechanical or electrical equipment, or roof access.
- Facilities Main Storage Room Size: should be 10' x 20' (200 sq. ft.) minimum.
- The Facilities Main Storage does not replace a Custodial Closet for that particular floor/area. The Facilities Main Storage is in addition to the Custodial Closet requirements. Should the layout of the Building require these to be combined for a particular floor/area, the size of the combined room shall be 264 sq. ft. minimum.
- Storage location: Near an elevator and normally placed in the lower levels of the facility.
- Shelving: Reinforced shelving that is wall mounted along one entire wall.
- Provide adequate ventilation with an exhaust grill in the upper wall or ceiling.
- Electrical: Several GFCI outlets to charge battery-operated equipment.
- Lighting: Install two sets of two fluorescent tube-ceiling lights.

C. Doors:

- Comply with [Design Standard for Door Hardware](#).
- Door Swing and Space Implications: doors should open outward to gain maximum square footage. Doors to Custodial and Facilities Main Storage Room spaces to swing outward. If this cannot be accomplished, the size of the room shall be increased by ten square feet.
- Door Size:
 - Custodial Closet: Door should be 36 inches minimum.
 - Facilities Main Storage: Door should be 42 inches minimum.
- Provide Hollow Metal door and door frames per [Design Standard for Doors and Door Frames](#). Door should have a vent and a Stainless Steel armor plate and kick plate on push side of door.
- Door Signage: Provide Room Sign for all Custodial and Facilities Main Storage Room Spaces on wall side adjacent to door lever.

D. Custodial Floor Finish:

- Flooring in Custodial Closets and Facilities Main Storage Room to be smooth concrete with clear coating.
- Product: Rust-Oleum's Easyclear® Epoxy Maintenance Floor Coating. No substitutions allowed.
- See [Design Standard for Flooring](#) for more information.

E. Wall Finish:

- At the floor mounted service sink: provide Rigid Sheet Vinyl Material on the wall sides of service sink. Rigid Sheet Vinyl Material Thickness no less than 0.040" and to a height of 48 inches Above Finish Floor. Product: InPro Corp. Wall Protection, Standard Color: [Antique White](#).
- Rest of the Walls 1st Choice: Provide FRP (fiberglass reinforced panel) to a height of four-feet (4'-0") above finish floor on all walls. Provide semi-gloss, water based epoxy paint at gypsum board above FRP, color: [District Standard Navajo White](#).
- 2nd Choice: concrete block sealed with an epoxy resin similar to Rust-Oleum® Wet Look Concrete Sealer or equivalent.
- See [Design Standard for Interior Paint](#) for more information.

F. Plumbing Fixtures:

- Comply with [Design Standard for Plumbing Fixtures](#) for plumbing fixtures, hose bibs and floor drains in each custodial closet and custodial main storage room.
- Service Sink: Floor mounted (24" x 24" x 10"), with a chemical impervious surface and a stainless steel collar.
- Sink faucet: Bibb-type faucet with hose tread and backflow preventer installed. Install shut off valves for the faucets.
- Sink Essentials: Install a mop grip-all, preferably on the wall without the faucet. Leave space on the faucet-side wall to install a chemical dilution system.
- Provide one Floor Drain with waterless trap guard per custodial closet/main storage room: nickel bronze drain with trap primer.

Approved Manufacturers:

Per above and referenced Design Standards.

Substitutes Allowed:

As noted within the standard.

Associated Design Standards and Construction Specifications

Design Standard for Door Hardware
 Design Standard for Doors and Door Frames
 Design Standard for Interior Paint
 Design Standard for Plumbing Fixtures

End of Document

DESIGN STANDARD for Building, Floor, Room, Stairway, Elevator Equipment and Outlet Designations

Purpose:

Designations of buildings, floors, rooms, stairways and elevators are important elements in way-finding for all on a college campus, and designations for equipment and outlets are important for maintenance and facilities staff. SCCD's goal is to establish naming and numbering protocols that are consistent and naturally intuitive for all end-users including students, faculty, staff, visitors and maintenance staff.

Design Standard:

1. Campus Designations

The following campus designations for the Solano Community College District are the first characters for all buildings:

FF	Fairfield
VJ	Vallejo
VV	Vacaville
NT	Nut Tree

2. Building Naming

Solano Community District is in the process of reviewing its process for naming Buildings. While naming buildings using numbers is useful for State inventory and ease of reference among users that are well familiar with any particular campus, it is not as useful for new students, visitors, faculty and staff. There is also an acknowledgement that naming buildings according to disciplines can be easily confusing and inflexible because a student may not expect a mathematics lecture to be held in a "humanities" building, and it is inflexible because should the building house other disciplines in the future the name will need to be adjusted to clarify this among users. Designers should review building naming with the Project Manager early in the Schematic Design phase.

3. Building Designations

Currently the buildings on the Fairfield Campus are identified predominantly by their building number. On the other sites the buildings are identified by their name (Vallejo Center which is in the process of being renamed, Vacaville Center, Vacaville Annex and Nut Tree Hanger). In the future all buildings will be identified by name, however, for the interim there is a need to maintain the building numbers in the building designations until the building naming for all existing buildings to remain has been completed. The building number will also be maintained for the stair, elevator, equipment and outlet designations.

a. New Building Designations

To replace the three to four numbers scheme currently in use, future buildings should use a **two-letter** abbreviation from the building name as the building name shorthand. Designers should review building abbreviation with the Project Manager early in the Schematic Design phase.

b. Existing Building Designations

Maintain existing building numbers until a name has been assigned (at which point a two-letter abbreviation from its name will be used). If a name is not assigned District may opt to simplify the building numbers to two-numbers. For example Building 500 would become Bldg 5. The rationale for this is to simplify the Room designation which uses the building name/number in its identifier.

4. Floor Designations

- Floor numbering will begin with the floor accessed at the *main* grade as "first floor" and will be designated with a "1."
- One floor above will be "second floor" and will be designated with a "2."
- The next floor above that will be "third floor" and will be designated with a "3" if occupied and accessed by students and faculty. If this floor is a roof it will be called "roof" and designated with a "R."
- If the Building has a basement that floor will be called "Basement" and designated with a "B."

5. Room Designations

- Basement rooms will be designated with two-digit room numbers (e.g. 01, 02, etc.)
- First floor room numbers will be the 100 series; second floor rooms will be the 200 series, third floor/roof rooms will be the 300 series, etc.
- Century numbers (100, 200, etc.) should be used for main lobbies/main circulation only.
- Divide the floor into decades. From the point of entry on the floor (principal entrance, elevator/stair), assign decades along major circulation routes to facilitate way finding. In general, work counterclockwise.
- Assign whole numbers to rooms with an entrance on a public circulation lobby or corridor.
- Assign alpha suffixes to rooms whose sole access is from within a room (e.g., if there are rooms within room 110, the inner rooms shall be designated room 110A, 110B, etc.). Skip letters "I" and "O".
- Create number intervals to allow future assignments should subdivision occur.
- Assign numbers in sequence.
- In general, keep even numbered rooms on one side of each corridor, and odd numbered rooms on the opposite side.
- Rooms will be designated by the Campus, building number and then followed by the room number, separated by a hyphen (e.g., FF300-110 is Room 110 in Building 300 on the Fairfield Campus).

6. Stairway Designations

- Stairways should be identified by building two-letter abbreviation or building number and the predominant cardinal direction (North, South, East and West) of its placement in the building. For example the VV101-North Stair is the Stair in the Vacaville Center on the North Side.

7. Elevator Designations

- Elevators should be identified by building two-letter abbreviation or building number and the predominant cardinal direction (North, South, East and West) of its placement in the building. For example FF400-East Elevator is the Elevator in Building 400 on the Fairfield Campus located on the East side of the Building.

8. Equipment Designations

- Equipment such as Mechanical and Electrical equipment should be identified using the building number (or two letter abbreviation for future naming), hyphen, floor number, hyphen, two-three letter (common) abbreviation for equipment item, hyphen and number 1, 2,3 etc. For example 200-R-EF-3 is the exhaust fan (EF) #3 on the Roof of Building 200.

9. Outlet Designations

- Outlets should be identified using the building number (or two letter abbreviation for future naming), hyphen, floor number, hyphen, "EO" for electrical outlet and "DO" for data outlet, hyphen and number 1, 2, 3 etc.

Approved Manufacturers:

Not Applicable

Substitutes Allowed:

Not Applicable

Associated Design Standards and Construction Specifications

Not Applicable

End of Document

DESIGN STANDARD for Door Hardware

Purpose:

Door hardware across District sites must be consistent to facilitate the logistics of keying locks and to assist in the efficiency of door maintenance. Pursuant to Public Contract Code Section 3400, the following particular products are designated by brand name in order to match other products in use on a particular public improvement (facilities on all District sites) either completed or in the course of completion. No substitutions will be accepted for these products, unless otherwise indicated.

Coordinate all hardware requirements with the Electronic Access Control System (EACS) and other requirements in the [District Standard for Electronic Safety and Security](#).

Note: these Design Standards are a tool to clarify direction and streamline project execution for design professionals, construction managers and other participants in capital improvement projects. Given the logistical, and compatibility requirements with the Electronic Access Control System, **all door hardware selected by consultant must be reviewed by the Director of Facilities** and equivalent products (only where allowed) have to be approved as outlined in the [Open this Document First: Standards Process.pdf](#). In all cases the written design standards do not diminish or eliminate the standard of care owed by the consultant to SCCD or relieve, in any manner whatsoever, a consultant from any professional responsibility, duty or due diligence required toward that work.

Design Standard:

A. Exterior Door Hardware

- 1) Preferred Choice for Main Entrance to Buildings: Automatic Sliding Doors. See details in [District Standard on Doors and Door Frames](#).
 - Hardware provided by Automatic Sliding Door Manufacturer, except for Electronic Access Control System (EACS), see [District Standard for Electronic Safety and Security](#).
- 2) Alternate Choice for Main Entrance to Buildings: Aluminum Entrance Doors with Automatic Door Operators.
 - These Doors shall have the following features:
 - Operators shall be furnished with three-position rocker switches (on/off/hold open).
 - Hardwire all Door Operators. Radio-controlled receivers are acceptable for retrofit installations only.
 - Provide motion sensor activation system in addition to push plate activation.

- Door & Frame per Exterior Aluminum Entrance in [District Standard for Doors and Door Frames](#).
 - Glazing per [District Standard for Glazing](#).
 - Interlock the power assist's actuators with the EACS, see [District Standard for Electronic Safety and Security](#).
 - Product: Stanley Access Technologies *Magic Access (Low Energy)*. No substitutions allowed.
- 3) In new buildings with more than one major entry, provide at least one Automatic Sliding Door entry and Aluminum Entrance Doors with Automatic Door Operators at all other locations.
 - 4) In retrofits all major entries can be Aluminum Entrance Doors with Automatic Door Operators if it is not feasible to make one of them an Automatic Sliding Door entry.
 - 5) All other exterior doors:
 - For type see [District Standard for Doors and Door Frames](#). For Glazing see [District Standard for Glazing](#).
 - Hinges: Heavy Duty Ball Bearing Hinges with non-removable pins.
 - Finish to be non-ferrous and to match adjacent door frame.
 - Identify appropriate substrate for application; ensure substrate provides for structural integrity for support of door frame and door.
 - Continuous hinges are permitted as long as backing in the jamb is provided.
 - 6) For double doors that do not have automatic openers for both leafs, door hardware to have vertical rods; all metal and aluminum fore front doors to have concealed vertical rods.

B. Interior Doors

For Door material/finish see [District Standard for Doors and Door Frames](#).

C. Locks

All doors (including doors with EACS) must have mechanical lock mechanisms, and must be keyed to the College's master key system. This protocol facilitates emergency response, ease of use, departmental control, protection of SCCD assets, and the safety and security of faculty, staff and students. No exceptions to this protocol are allowed.

- 1) The mechanical key system installed at SCCD is Stanley Security System's *BEST Interchangeable Core (IC)*. No substitutions allowed. Contact campus locksmith for keying on all projects.
 - Locksets: ANSI A156.2, Series 4000, Grade 1 UL Listed, Extra Heavy-Duty cylindrical type.
 - Interchangeable core 7-pin: District is moving to COREMAX™ Patented Keying System.
 - Series: 9K.
 - Lever Style: 15D.

- Lockset Finish:
 - Fairfield Campus Exterior Finish: US10B (613) Dark Oxidized Satin Bronze, Oil Rubbed.
 - Vacaville/Vallejo Exterior Finish: US26 A M (626 A M) Satin Chrome plated with UltraShield antimicrobial Finish.
 - All Interior Finish: US26 A M (626 A M) Satin Chrome plated with UltraShield antimicrobial Finish.
 - Keys:
 - Best Standard 7-pin, District is moving COREMAX™ Patented Keying System.
 - All new keys will be given to the College's Locksmith in the form of blanks. No exceptions.
 - Implementation:
 - All permanent cylinders and keys are to be furnished directly to the College's Locksmith for keying.
 - Specify the use of construction cores and keys for doors requiring locking during construction. Construction control and operating keys and cores are not part of permanent keying system or furnished on same keyway (or key section) as permanent keying system. Remove temporary inserts immediately prior to SCCD occupancy and return to Stanley/BEST.
 - Warranty: 7 years.
- 2) Electronic Control Access System including Keypads, Proximity Cards etc. see [District Standard for Electronic Safety and Security](#).
 - 3) Electrified Locking:
 - All electronically access controlled doors require electrified locksets.
 - Depending on application this may require a door core and an electric transfer hinge, or an electric transfer door loop for door-mounted locksets or exit devices.
 - If a door core is performed on a rated opening in the field the work should be performed by a NRTL-certified contractor so that the opening may be re-labeled in the field. (NRTL = Nationally Recognized Testing Laboratory such as UL or Intertek).
 - Lockset per this Standard shown in item #1.
 - Coordinate lockset requirements with [District Standard for Electronic Safety and Security](#).
 - Request-To-Exit (REX):
 - Electrified door locks and exit devices must be ordered with a request-to-exit (REX) microswitch in the door lock.
 - At pairs of doors, each door lock or exit device requires this integral request-to-exit (REX) microswitch and electric transfer hinge – even if only one of the two door leafs will be powered and operated by the Electronic Access Control System (EACS).
 - REX does not control nor operate the door lock in any way – it only shunts (temporarily disables) the “door forced” alarm in the access control system when someone exits through the door. All doors have free egress in the egress direction with no special effort or knowledge required.

- Electric Transfer Hinge:
 - BEST Cylindrical Locks require an electric transfer hinge.
 - Exit devices require an electric transfer hinge.
 - Pairs of doors require an electric transfer hinge for each door leaf for the REX as previously noted. (Exception at pair with Interchangeable Core lockset in active leaf and the inactive leaf pinned with head/foot bolts.)
 - Exit Device (Panic Hardware) Local Door Power Supply:
 - Where exit devices (panic/crash bars) are scheduled with local door power supplies they shall be provided by the Door Hardware Contractor; low-voltage cabling terminations by Security Contractor; and installed with 120VAC high-voltage power by Electrical Contractor.
 - 120VAC high-voltage power is required to the local power supply at the door location. Local power supply shall be installed within 50 feet of the door location.
 - Low-voltage cabling from the local power supply to the electrified exit devices (panic/crash bars) shall be in flex conduit from the local power supply to the electric transfer hinges.
 - Local door power supplies are required where specified for the exit devices (panic/crash bars), such as when scheduled with Electric Latch Retraction function. This is due to the 16A in-rush on unlocking.
 - Typically, few doors should require the Electric Latch Retraction function, such as the main front lobby doors. Electric Latch Retraction function would also be required where doors are scheduled with Auto Door Operators typically associated with ADA accessible openings.
 - All other exit devices (panic/crash bars) should be scheduled with Electric Unlock Only which is solenoid operated and consumes less than an amp in-rush on unlocking. These exit devices (panic/crash bars) shall be powered by low-voltage power supply provided and installed in a centralized location by the Security Contractor.
 - All exit devices should also have cylindrical dogging as a secondary system. Coordinate width of door stile (where applicable) to accommodate exit device with cylindrical dogging system integrated.
 - BEST Cylindrical locksets shall also be powered by low-voltage power supply provided and installed in a centralized location by the Security Contractor.
- 4) Padlocks will be keyed to the College's Master Key System, as such Stanley *BEST 3 Series Heavy Duty Padlocks (similar to 41B/42B series)*, with Best Interchangeable Cores and COREMAX™ Patented Keying System should be specified.
 - 5) Furniture & Casework that **house materials that need to be secured** (as determined by the District) should be provided with Interchangeable Cores Cabinet Locks, and keyed to the College's Master Key System. Locks shall fit flush to the cabinetry surface. Product: Stanley *BEST Cabinet Locks*.
 - 6) Other Furniture & Casework that do NOT house materials that need to be secured specify: *Olympus Locks with Small Format BEST Interchangeable Cores* or equivalent.

D. Other Hardware

All hardware to be 626 Satin Chrome finish or 630 Satin Stainless Steel finish unless otherwise noted.

- 1) Hinges: ANSI Heavy Duty Ball Bearing Hinges with non-rising pin (NRP).
 - Stainless Steel (630) typical interior and exterior, except at Fairfield Campus exterior locations where Brass, Antique Bronze, Oiled (613) should be used.
 - Unless otherwise specified, the size of the butts will be determined by the following table:
 - Doors 1-3/8 inch thick to have 3-1/2 inch.
 - Doors 1-3/8 inch thick and up to 41 inch wide to have 4-1/2 inch.
 - Doors 1-3/4 inch thick, 42 inch to 48 inch wide, to have 4-1/2 inch extra heavy.
 - Doors 2 inches thick and over 48 inches wide to have 5 inch extra heavy.
 - Provide widths sufficient to clear trim projection when door swings 180 degrees.
 - Provide 2 hinges to 60 inches high, 3 hinges to 90 inches high, 4 hinges to 120 inches high for each door leaf.
 - Products: *Hager BB 1199 NRP* or equivalent.
- 2) Exit Devices to be touch bar design, rim and concealed rod types.
 - Use key removable and rim devices at pairs of doors.
 - Use Interchangeable Cylindrical Cores at panic devices.
 - All exit devices at non-rated doors to have Cylinder dogging (CD).
 - All exit devices at fire-rated doors to have double cylinder (BEST Intruder Function).
 - Products: Stanley *Precision Hardware Apex 2000 Series Exit Device*, select specific exit device appropriate for specific application. No Substitutions allowed. This product has been selected because it integrates with District Locksets and District Electronic Access Control System.
- 3) Surface Closers to be heavy-duty, for institutional use.
 - Non-handed for ease of maintenance/re-installation by maintenance staff.
 - Must comply with Building Code requirements for opening force.
 - Provide hold-open arm for non-rated conditions.
 - Product: Stanley *Door Closers D-4550/D-4551 Series* selected as appropriate for specific application. No substitutions allowed.
- 4) Floor Closers: District preference is to not use Floor Closers. Exceptions need to be approved by Director of Facilities for Solano CCD.
- 5) Flush Bolts:
 - Manual Flush Bolts typical.
 - Auto Flush Bolts at Fire Doors with Panic Hardware and I.T. Rooms.
 - Product: *IVES: FB 30,40,50, 60 Series* or equivalent.

- 6) Pivots shall be in ground, 3/4" offset, and stainless steel finish. *Ives 7215 series* or equivalent.
- 7) Stops:
 - Wall Stops are preferred. *Ives WS443* or equivalent.
 - Avoid Floor Stops to best extent possible.
 - Overhead Stops: use only where wall or floor stops are inadvisable, and must be approved by Director of Facilities for Solano CCD. Use in coordination with extra heavy duty hinges.
 - Automatic Door Holder/Stop where required: *Ives WS45* or equivalent.
- 8) Seals shall be adjustable screw type with silicone underneath, no adhesive types allowed. *Pemko, National Guard Products* or equivalent.
- 9) Thresholds to be coordinated with project conditions. Aluminum typical finish, except at Fairfield Exterior locations where Bronze should be specified. *Pemko* or equivalent.
- 10) Door Plates:
 - Provide Stainless Steel Kick Plates 10" high x Door Width minus 2 inches at all Restrooms and High Use Rooms.
 - Provide 30" high Stainless Steel Armor Plates at push side of Custodial Closets and Main Storage Rooms.
 - *Ives, Pemko* or equivalent.
- 11) Vertical Rods:
 - Provide vertical rods for all double doors.
 - Metal and aluminum storefront double doors to have concealed vertical rods.

Cutsheet Attachments:

Stanley Security Solutions, BEST 9K Series Heavy Duty Locks-Levers
Partial Stanley Security Solutions 3 Series Padlocks
Partial Stanley Security Solutions Door Closers D-4550-D-4551
Partial Stanley Security Solutions Exit Devices Apex 2000 Series

Approved Manufacturers:

As noted within this standard.

Substitutes Allowed:

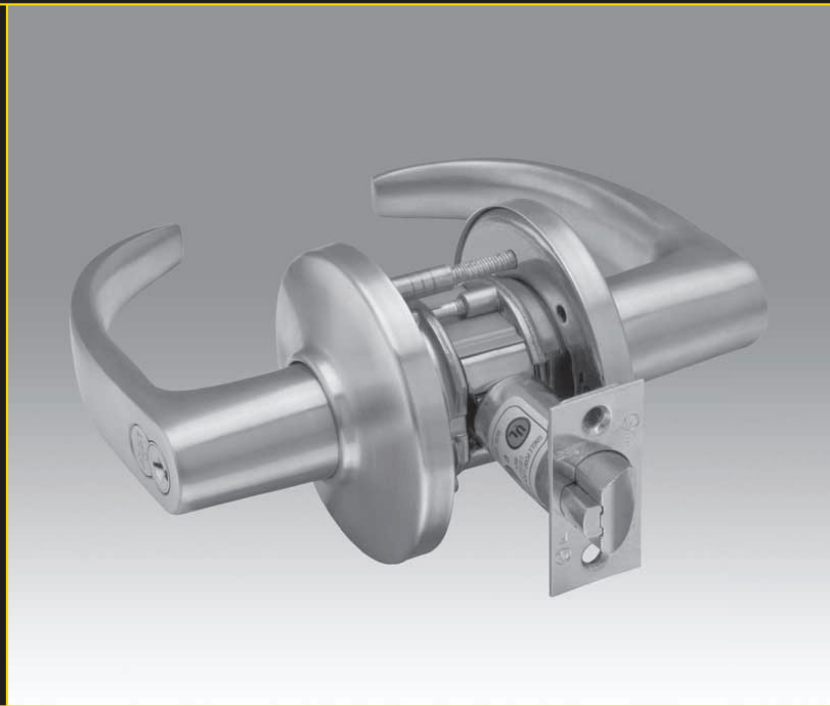
As noted within this standard.

Associated Design Standards and Construction Specifications

Design Standard on Electronic Safety and Security Standards.
Design Standard on Doors and Door Frames.
Design Standard on Glazing.

End of Document

STANLEY
Security Solutions



HEAVY DUTY CYLINDRICAL LOCKS – LEVERS

9K SERIES

HEAVY DUTY LOCKS - LEVERS

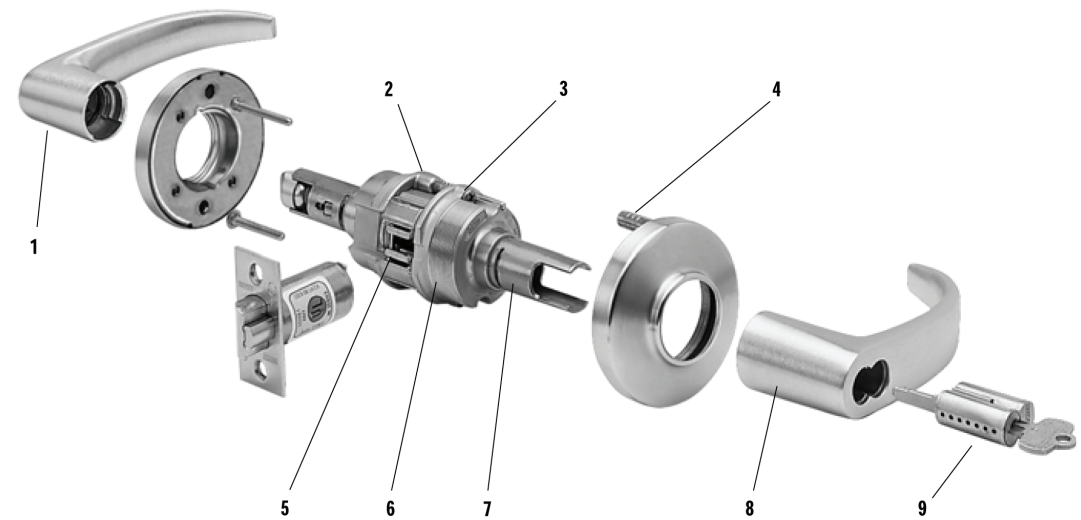


TABLE OF CONTENTS & FEATURES

TABLE OF CONTENTS		Page	Page
Features	2	Deadlocking Latches & Strikes	10
Specifications	3	Lever Features & Dimensions.....	5
How to Order.....	3	Function.....	6-9
Shipping Weights.....	4	Strike & Door Preparation.....	11
Lever Styles & Trim	4	9K Sample Specifications.....	11
CORMAX™ Patented Keying System.....	10	Service Equipment.....	12

FEATURES

1. For versatile applications, lever by knob trim variations are available.
2. Rose locking pin and rose assembly design offers great torque resistance. It prevents the locking pin from twisting, bending, or breaking under attack.
3. The innovative design of the slotted key release cam and locking lug assembly create maximum attack resistance. Even though damaged, the lock still allows key access. In addition, the lever is fully functional from the inside. The hub-mounted torsion spring and strong retractor springs help prevent lever sag and offer a smooth and snappy operation.
4. Strong through-bolt mounting studs increase torque resistance. Heavy rose liner material is highly attack resistant.
5. Strong retractor springs provide resistance to lever sag.
6. Zinc hubs with a shrouded locking lug, guaranteeing higher quality and increased torque resistance.
7. The outside lever sleeve is a seamless one piece construction made of a hardened steel alloy that provides additional reinforcement in the locking lug slot.
8. Lost Motion feature available allowing 45° lever rotation in either direction without engaging retractor assembly.
9. Interchangeable core allows for quick re-keying and customized masterkeying.



9K - EXPLODED



HEAVY DUTY L





ADA—Americans With Disabilities Act:
9K series – The design and operation of the BEST® cylindrical lock meets the intent of the standard for ANSI A117.1 section 404.2.6

Builders Hardware Manufacturers Association:
9K series – Listed by BHMA for A156.2, Series 4000, Grade 1.

Underwriters Laboratories®:
9K series – Listed by Underwriters Laboratories for use on 3 Hr, A label for single or double swinging doors.

Florida Building Code and Miami-Dade County Code:
9K series – 3/16" latch throw – Listed by Florida Building Code and Miami-Dade County at ± 75 PSF for single doors.

9K series – 3/4" latch throw – Listed by Florida Building Code and Miami Dade County at ± 80 PSF for single doors and ± 50 PSF for double doors.

California State Fire Marshal:
9K series – Listed with California State Fire Marshal.
9K series 14 & 15 lever conforms with California Title 24.

Backset – 2 3/4" standard, 3 3/4" and 5" available.

Chassis – Critical latch and chassis components are brass or corrosion-treated steel. 2 1/16" diameter to fit 2 1/8" hole in door. (Conforms to ANSI A115.2). Lost Motion feature available as an option. (see page 5 for options/features).

Door thickness – Available for 1 3/4" to 2 1/4" doors only. Spacers available for 1 3/8" doors.

Roses – C – 3" Convex D – 3 1/2" Convex
 K – 3" Convex-no ring L – 3 1/2" Convex-no ring

Products protected by one or more of the following patents:
5,590,555 5,794,472 Other products patent pending.

SPECIFICATIONS

Finish – (BHMA)	US	DESCRIPTION
605	3	bright brass
606	4	satin brass
611	9	bright bronze
612	10	satin bronze
613	10B	oxidized satin bronze, oil rubbed
618	14	bright nickel plated
619	15	satin nickel plated
622	19	flablack
625	26	bright chromium plated
626	26D	satin chromium plated
690	20	dark bronze

Antimicrobial Finish
626AM satin chrome plated with UltraShield™ antimicrobial protected coating



The Stanley Security Solutions UltraShield™ finish inhibits the growth of bacteria and other microbes on the surface of the hardware.

NOTE: Stanley's UltraShield™ option is recommended for use on any hardware application where product cleanliness is a high priority. i.e.: Hospital/Healthcare, Elderly Care, Education, Transportation, Food-Service, Hospitality.

Latch – Solid brass 3/16" throw. Front 2 1/4" x 1 1/8" beveled.

Lever handles – Lever handles are a high-quality zinc alloy. Trim components are brass or bronze. Body is approximately 3/8" in diameter; Handle is approximately 4 3/4" long (from center-line of chassis). #14 and #15 levers conform to California Administrative Code Title 19 and Title 24. All three styles of levers conform to the Illinois Accessibility Standard.

Mounting – In addition to standard door preparation (ANSI A115.2 for 1 3/4" doors), two additional holes are needed for through-bolts. Through-bolts require two 5/16" diameter holes located at 12 o'clock and 6 o'clock positions. A drill jig can be ordered to insure accuracy of the holes. (see KD303 page 5).

Projection on door – Approx. 2 3/4" when mounted on 1 3/4" door.

Strike – **STK:** Conforms to ANSI A115.2 (2 3/4" x 1 1/8" with curved lip & box). **S3:** Conforms to ANSI A115.2 for 1 3/4" doors (4 7/8" x 1 1/4" with curved lip). **S3-7/8:** Conforms to ANSI A115.2 for 1 1/4" doors (4 7/8" x 1 1/8" flat)

SPECIFICATIONS

HOW TO ORDER

9K	3	7	AB	15	A	STK	626	
Series	Backset	Core Housing	Function Code	Lever Style	Rose Style	Strike Package	Finishes	Options
9K	3 – 2 3/4" 4 – 3 3/4" 5 – 5"	0– keyless 7– 7-pin housing accepts all BEST® cores	AB– entrance D– storeroom L– privacy N– passage R– classroom etc.	14– curved return 15– contour angle return 16– curved no return	C– 3" convex D– 3 1/2" convex K– 3" convex - no ring L– 3 1/2" convex - no ring	STK– 2 3/4" ANSI S3– 4 7/8" ANSI S3– 7/8- 7/8" flat strike	605 606 611 612 613 618 619 622 625 626 690	AL– abrasive lever LL– lead lined LM– lost motion RQE– request to exit** SH– security head screws TL– tactile lever 3/4– 3/4" throw latch 7/8" LTC– flat lip strike NOTE: specify inside (I), outside (O), or both (B) for AL, TL options
			pages 6-9	pages 4-5	pages 4-5	page11		page 5

*Handles are made from a zinc alloy, and have been plated to be equivalent in appearance to the finishes listed.
For information on 9K non-IC products please refer to BEST's non-IC keying products brochure.
**RQE option requires modification to chassis and is sold with assembly unit only.

LOCK - LEVERS



3

SHIPPING WEIGHTS

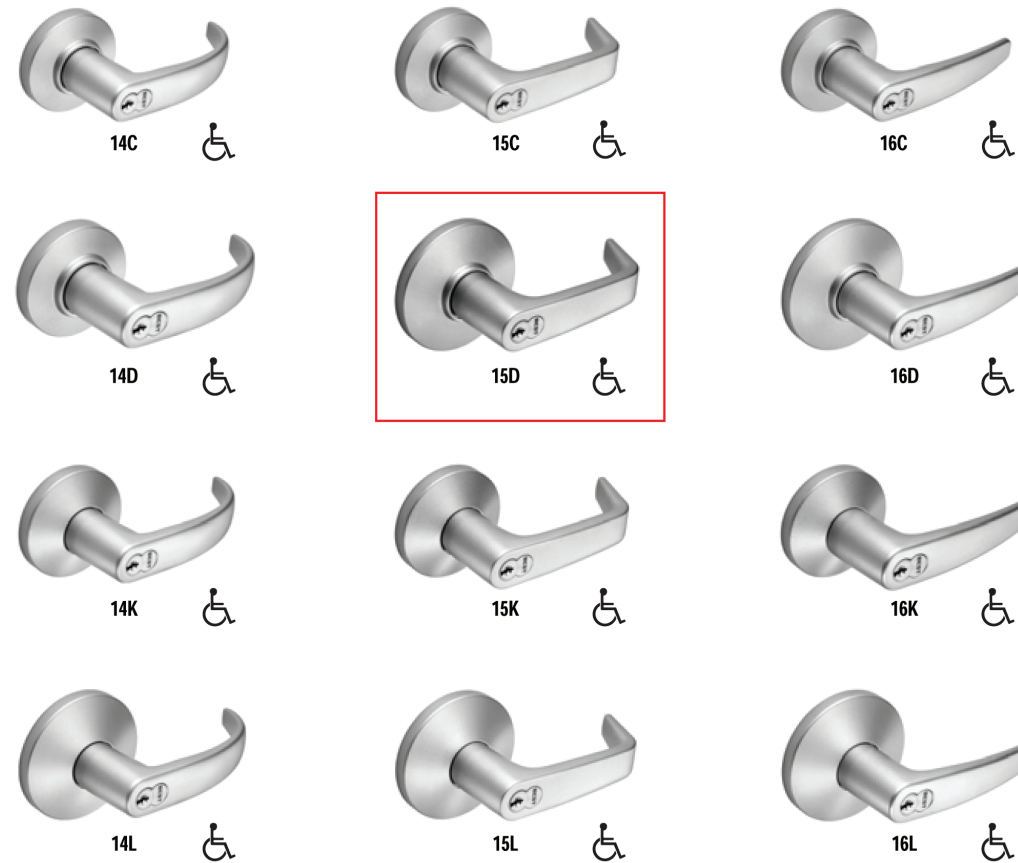
SHIPPING WEIGHTS

The chart is the approximate shipping weight for the standard 9K functions locksets. This weight includes the weight of the lockset with the "15" style lever, "K" style rose, latch, strike package, and box. Listed separately are the approximate weights for "with core" and "less core" shipments.

Lock Function Nomenclature	Case Quantity	Shipping Weight With core	Shipping Weight Less Core
Y	9		31 lbs.
N	9		40 lbs.
L,NX,P	9		40 lbs.
AB,D,E,H,HJ,R,T	9	42 lbs.	40 lbs.
C,G,IN,S,W	9	44 lbs.	40 lbs.

LEVER STYLES AND TRIM

LEVER STYLES AND TRIM



51

HEAVY DUTY L



4



LEVER FEATURES

Abrasive Lever Option

Besides complying with a wide variety of accessibility codes and ordinances, Best Access Systems lever handles are available with a special abrasive feature. Abrasive strip on the lever immediately identifies warnings on doors to hazardous areas for the blind.

To order: Designate "AL" on How to Order (page 3). Note: abrasive strip is available on all levers, except #14, #15, #16 levers in 613 finish.

Lost Motion Feature

The Lost Motion feature allows the lever handle to move 45 degrees from parallel to the horizontal plane without engaging the latchbolt assembly. When the lockset is in the locked mode, this feature makes over-torque or over-lever-age abuse more difficult to achieve.

To order: designate "LM" on How to Order (page 3).

Non IC Lever Option

The 9K heavy duty cylindrical lock may be adapted to existing keying systems by using a special retrofit lever and throw member that will accept 6 pin single shear-line cylinders from non BEST manufacturers. No internal modifications are required to adapt the 9K to cylinders from the following manufacturers: Corbin-Russwin, Medeco, Sargent, Schlage, Yale. Refer to BEST® non-IC keying products brochure for more details.

RQE Feature

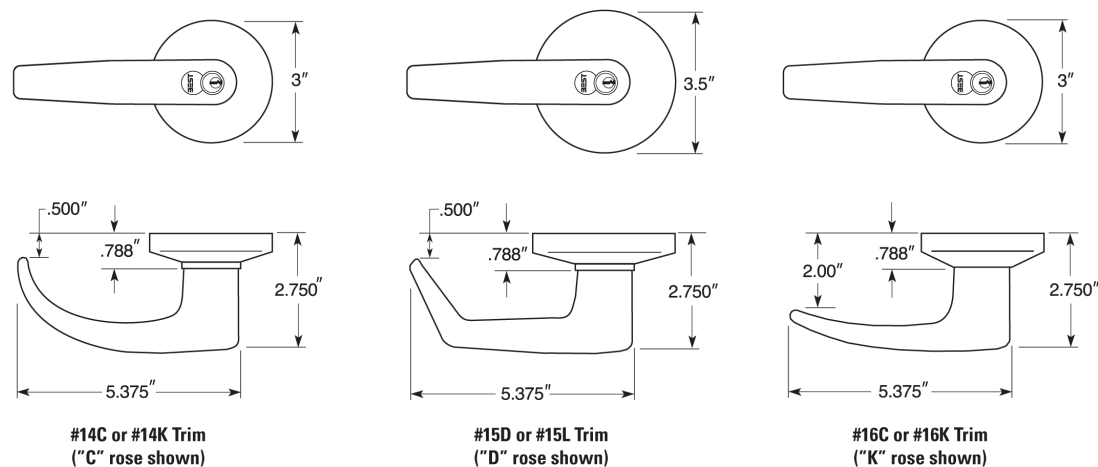
The 9K lever handle cylindrical can be built to incorporate a request-to-exit (RQE) switch. A normally open switch provides momentary switch closure when the inside lever is rotated. RQE option requires modification to chassis and is sold with assembly unit only.

To order: designate "RQE" on How to Order (page 3).

Tactile Lever Option

Tactile levers may be used in areas where improved grip is required or as a warning in hazardous areas. Grooves are machined into the back of the hand grasp portion of the lever to improve grip and/or to provide a sensory warning in hazardous areas. This option can be used for Blind, Safety or Accessibility applications. **To order:** Designate "TL" on How to Order (page 3).

LEVER & TRIM DIMENSIONS



LEVER FEATURES

DIMENSIONS

FUNCTIONS

FUNCTIONS

Function & Diag. (ANSI No.)	Description Latch operated by	Outside Lever		Inside Lever	
		Locked by	Unlocked by	Locked by	Unlocked by
Single Keyed					
AB Entrance 	<ul style="list-style-type: none"> Rotating the inside lever, Rotating the outside lever—only when the inside push button is out, Turning the key in the outside lever 	<ul style="list-style-type: none"> Pushing the inside button, Pushing and turning the inside button. Turning the button keeps the outside lever locked until the button is turned back 	<ul style="list-style-type: none"> Turning the key in the outside lever, (only when the button is not turned) Rotating the inside lever, (only when the button is not turned), Closing the door (only when the button is not turned) 	Cannot be locked	Always unlocked
F109					
D Storeroom 	<ul style="list-style-type: none"> Turning the key in the outside lever, Rotating the inside lever 	Always fixed	Cannot be unlocked	Cannot be locked	Always unlocked
F86					
E Service Station 	<ul style="list-style-type: none"> Rotating the inside lever, Rotating the outside lever—only when the inside push button is out, Turning the key in the outside lever 	<ul style="list-style-type: none"> Pushing the inside button, Pushing and turning the inside button. Turning the button keeps the outside lever locked until the button is turned back 	<ul style="list-style-type: none"> Turning the key in the outside lever, Rotating the inside lever, Closing the door—only when the button is not turned, Turning back the slotted button 	Cannot be locked	Always unlocked
F92					
H Hotel Guest Room 	<ul style="list-style-type: none"> Rotating the inside lever, Turning the key in the outside lever—only when the inside push button is out, Removing the core with a control key and using a special emergency key 	Always fixed	Key block feature is released by: <ul style="list-style-type: none"> Rotating the inside lever, Closing the door 	Cannot be locked	Always unlocked
F93					
Indicator Included	Pushing the inside button projects an "occupied" indicator in the outside lever and blocks all operating keys.				
HJ Hotel Guest Room 	<ul style="list-style-type: none"> Rotating the inside lever, Turning the key in the outside lever—only when the inside push button is out, Removing the core with a control key and using a special emergency key 	Always fixed	Key block feature is released by: <ul style="list-style-type: none"> Rotating the inside lever, Closing the door 	Cannot be locked	Always unlocked
No Indicator	Pushing the inside button blocks all operating keys, but no "occupied" indicator is projected.				
R Classroom 	<ul style="list-style-type: none"> Rotating the inside lever, Turning the key in the outside lever, Rotating the outside lever when not locked by key 	Turning the key in the outside lever	Turning the key in the outside lever	Cannot be locked	Always unlocked
F84					
T Dormitory 	<ul style="list-style-type: none"> Rotating the inside lever, Rotating the outside lever when not locked by key or push button 	<ul style="list-style-type: none"> Turning the key in the outside lever, Pushing the button on the inside lever 	<ul style="list-style-type: none"> Turning the key in the outside lever, Rotating the inside lever (only when locked by push button), Closing the door (only when locked by push button) 	Cannot be locked	Always unlocked
F90					
Double Keyed*					
C Corridor 	<ul style="list-style-type: none"> Rotating the inside lever, Rotating the outside lever when not locked by key, Turning the key in the outside lever 	Turning the key in the inside lever	Turning the key in the inside lever	Cannot be locked	Always unlocked
F88					
G Storeroom* 	<ul style="list-style-type: none"> Rotating the outside lever when not locked by key, Rotating the inside lever when not locked by key 	<ul style="list-style-type: none"> Turning the key in the inside lever, Turning the key in the outside lever 	<ul style="list-style-type: none"> Turning the key in the inside lever, Turning the key in the outside lever 	<ul style="list-style-type: none"> Turning the key in the inside lever, Turning the key in the outside lever 	<ul style="list-style-type: none"> Turning the key in the inside lever, Turning the key in the outside lever
F91					
Turning the key in either the inside or the outside, locks or unlocks both sides.					

*ATTENTION: Locksets that secure both sides of the door are controlled by building codes and the Life Safety Code. In an emergency exit situation, failure to quickly unlock the inside lever could be hazardous or even fatal.



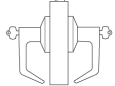

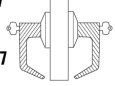

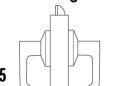





LOCK - LEVERS



HEAVY DUTY L



FUNCTIONS










Function & Diag. (ANSI No.)	Description Latch operated by	Outside Lever		Inside Lever	
		Locked by	Unlocked by	Locked by	Unlocked by
Double Keyed (Continued)					
Intruder IN 	• Rotating inside lever, • Rotating outside lever only when not locked by inside or outside key	• Turning key in the inside lever, • Turning the key in the outside lever	• Turning key in the inside lever, • Turning the key in the outside lever	Cannot be locked	Always unlocked
Communicating* S F80 	• Turning the key in the inside lever, • Turning the key in the outside lever, • Rotating the inside or outside lever (if unlocked)	Turning the key in the outside lever	Turning the key in the outside lever	Turning the key in the inside lever	Turning the key in the inside lever
Turning the key in either lever, locks or unlocks its own lever independently.					
Institutional* W F87 	• Turning the key in the inside lever, • Turning the key in the outside lever	Always fixed	Cannot be unlocked	Always fixed	Cannot be unlocked
Keyless					
Privacy L F76 	• Rotating the inside lever • Rotating the outside lever only when the inside push button is out	Pushing the inside button	• Rotating the outside slotted button, • Rotating the inside lever, • Closing the door.	Cannot be locked	Always unlocked
Passage N F75 	• Rotating the inside lever, • Rotating the outside lever	Cannot be locked	Always unlocked	Cannot be locked	Always unlocked
Exit NX F89 	Rotating the inside lever	Always fixed	Always fixed	Cannot be locked	Always unlocked
Patio P F77 	• Rotating the inside lever, • Rotating the outside lever only when the inside push button is out	Pushing the inside button	• Rotating the inside lever, • Closing the door	Cannot be locked	Always unlocked
Exit Y 	Rotating the inside lever			Cannot be locked	Always unlocked
Single Dummy Trim 1DT 	This is a single, surface-mounted lever for an inactive door or a non-latching door				
Double Dummy Trim 2DT 	This is a through bolt mounted pair of matching levers for an inactive door or a non-latching door				

*ATTENTION: Locksets that secure both sides of the door are controlled by building codes and the Life Safety Code. In an emergency exit situation, failure to quickly unlock the inside lever could be hazardous or even fatal.

FUNCTIONS

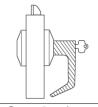
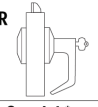
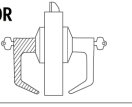
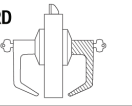
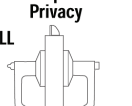

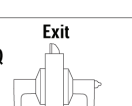
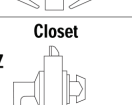
FUNCTIONS

FUNCTIONS

Function & Diag. (ANSI No.)	Description Latch operated by	Locked by	Unlocked by	Inside Lever	
				Locked by	Unlocked by
Electromechanical					
Electrically Locked DEL 	• Rotating the inside lever, • Rotating the outside lever only when power is off, • Turning the key in the outside lever	• Applying 24 Volts DC. • Outside lever remains locked only while power is on	Switching off 24 Volts DC	Cannot be locked	Always unlocked
Electrically Unlocked DEU 	• Rotating the inside lever, • Rotating the outside lever only when power is on, • Turning the key in the outside lever	Switching off 24 Volts DC	• Applying 24 Volts DC • Outside lever remains unlocked only while power is on	Cannot be locked	Always unlocked
Special					
Dormitory or Storeroom A F81 	• Rotating the inside lever, • Rotating the outside lever only when inside turn button is in unlocked position, • Turning the key in the outside lever	Turning the inside button	Turning the inside button	Cannot be locked	Always unlocked
NOTE: Turn button must be manually rotated to unlock the outside lever.					
Office B F82 	• Rotating the inside lever, • Rotating the outside lever only when inside push button is out, • Turning the key in the outside lever	Pushing the inside button		Cannot be locked	Always unlocked
NOTE: Push button is released by turning the key in the outside lever, OR rotating the inside lever. Closing the door does not release the push button.					
Closet or Storeroom DZ 	• Turning the key in the outside lever, • Turning the inside closet turn knob	Always fixed	Cannot be unlocked	Closet turn knob cannot be locked	Closet turn knob always free
Entrance or Office EA 	• Rotating the inside lever, • Rotating the outside lever only when inside push button is out, • Turning the key in the outside lever	• Pushing the inside button, • Pushing and turning the inside button. Turning the slotted button keeps the outside lever locked until the button is turned back	• Turning the key in the outside lever, • Rotating the inside lever, • Turning the slotted button back	Cannot be locked	Always unlocked
Closet or Storeroom RZ 	• Turning the key in the outside lever, • Turning the inside closet turn knob, • Rotating the outside lever when not locked by key	Turning the key in the outside lever	Turning the key in the outside lever	Closet turn knob cannot be locked	Closet turn knob always free
Special* XD 	Turning the key in the inside lever	Always fixed	Cannot be unlocked	Always fixed	Cannot be unlocked
Special* XR 	• Turning the key in the inside lever, • Rotating the inside lever when not locked by key	Always fixed	Cannot be unlocked	Turning the key in the inside lever	Turning the key in the inside lever

*ATTENTION: Locksets that secure both sides of the door are controlled by building codes and the Life Safety Code. In an emergency exit situation, failure to quickly unlock the inside lever could be hazardous or even fatal.

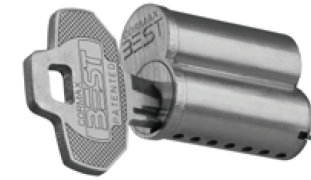


Function & Diag. (ANSI No.)	Description Latch operated by	Outside Lever		Inside Lever	
		Locked by	Unlocked by	Locked by	Unlocked by
Special (Continued)					
Exit * YD 	Turning the key in the inside lever			Always fixed	Cannot be unlocked
Special * YR 	• Turning the key in the inside lever, • Rotating the inside lever when not locked by key			Turning the key in the inside lever	Turning the key in the inside lever
Special * DR 	• Rotating the inside lever only when not locked by key, • Turning the key in the outside lever, • Turning the key in the inside lever	Always fixed	Cannot be unlocked	Turning the key in the inside lever	Turning the key in the inside lever
Special * RD 	• Rotating the outside lever only when not locked by key, • Turning the key in the outside lever, • Turning the key in the inside lever	Turning the key in the outside lever	Turning the key in the outside lever	Always fixed	Cannot be unlocked
Hospital Privacy LL 	• Rotating the inside lever, • Rotating the outside lever only when the inside push button is out	Pushing the inside push button	• Turning the turn button in the outside lever, • Rotating the inside lever, • Closing the door	Cannot be locked	Always unlocked
Communicating* M F78 	• Rotating the inside lever-only when the outside turn button is in the unlocked position, • Rotating the outside lever-only when the inside turn button is in the unlocked position NOTE: Do not use this function for rooms that have no other entrance.	Turning the inside turn button	Turning the inside turn button	Turning the outside turn button	Turning the outside turn button
Exit Q FB3 	• Rotating the inside lever, • Rotating the outside lever-only when the inside turn button is in the unlocked position	Turning the inside turn button	Turning the inside turn button	Cannot be locked	Always unlocked
Closet Z 	• Rotating the outside lever, • Turning the inside closet turn knob	Cannot be locked	Always unlocked	Closet turn knob cannot be locked	Closet turn knob is always free

*ATTENTION: Locksets that secure both sides of the door are controlled by building codes and the Life Safety Code. In an emergency exit situation, failure to quickly unlock the inside lever could be hazardous or even fatal.

CORMAX™ PATENTED KEYING SYSTEM

BEST® CORMAX™ is the premier patented keying system offered by Stanley Security Solutions. CORMAX will meet your needs for security, key control, and convenience. A simple solution with no compromising allowed.



CORMAX™ Patented Keying System

CORMAX is the upgrade path for existing BEST Standard, Premium, and MX8 customers; and it is an essential element of non-residential access control as security administrators strive to eliminate the unauthorized duplication of keys.

CORMAX offers the following features and benefits:

- A long-term US utility patent that guarantees the extended useful life of the system through 2027.
- A second, independent locking mechanism that utilizes a patented set of built-in side pins to provide higher security.
- Several levels of geographical exclusivity, including national exclusivity, are available via the patented side pin feature.
- CORMAX cores and keys are available exclusively through Stanley sales offices. Key blanks are only sold to individuals authorized by the customer to ensure key blanks do not end up in the possession of unauthorized personnel either inside or outside the customer's facility.
- CORMAX cores are certified to meet the security, safety, and reliability requirements of BHMA A156.5 Grade 1.
- Picking and drilling resistance options are available if higher levels of security are desired.
- Complete factory masterkeying service offered, and at no charge with purchase of BEST locksets and PHI exit devices.
- Keyways are organized in families of four keyways each, with double-milled and quad-milled key levels to facilitate the design of masterkey systems in multi-building campuses.
- BEST CORMAX cores are compatible with all existing BEST interchangeable core housings, eliminating the need for new or modified locksets.

DEADLOCKING LATCHES & STRIKES



8KL3 Deadlocking Latch
Bolt throw – 9/16"
Backset – 2 3/4"
Front – 2 1/4" x 1 1/8" beveled.
Tube – To fit 1" diameter hole in door edge.
To order: (with unit) designate "9K3" on How to Order (page 3).
To order: (without unit) designate "8KL3-SL" (Spring Latch) or DL (Deadlocking Latch) and finish.



8KL4 Deadlocking Latch
Bolt throw – 9/16"
Backset – 3 3/4"
Front – 2 1/4" x 1 1/8" beveled.
Tube – To fit 1" diameter hole in door edge.
To order: (with unit) designate "9K4" on How to Order (page 3).
To order: (without unit) designate "8KL4-SL" (Spring Latch) or DL (Deadlocking Latch) and finish.



8KL5 Deadlocking Latch
Bolt throw – 9/16"
Backset – 5"
Front – 2 1/4" x 1 1/8" beveled.
Tube – To fit 1" diameter hole in door edge.
To order: (with unit) designate "9K5" on How to Order (page 3).
To order: (without unit) designate "8KL5-SL" (Spring Latch) or DL (Deadlocking Latch) and finish.



8KS3-7/8 Flat Strike
Dimension: Conforms to ANSI A115.2 for 1 1/4" doors (4 7/8" x 1 1/8" flat)
To order: (with unit) designate "S3-7/8" on How to Order (page 3).
To order: (without unit) designate 8KS3-7/8 and finish.



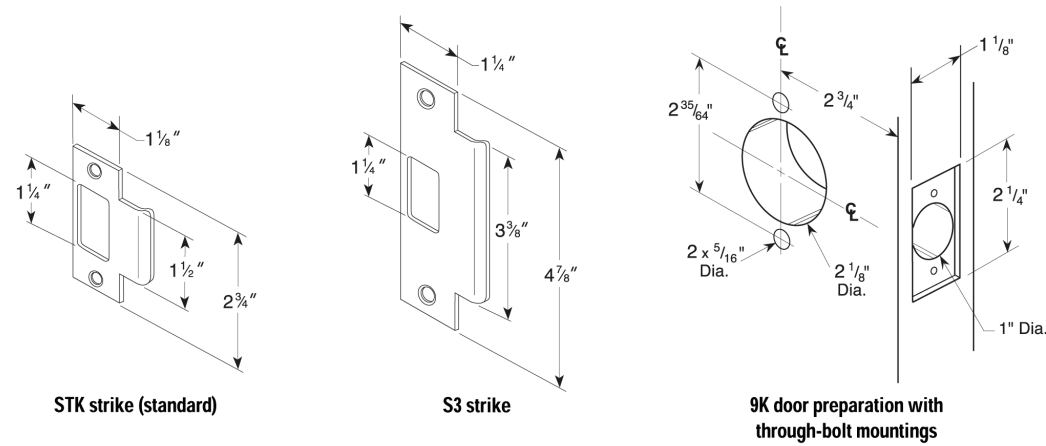
8KS3 Strike
Dimension: Conforms to ANSI A115.2 for 1 3/4" doors (4 7/8" x 1 1/4" with curved lip).
To order: (with unit) designate "S3" on How to Order (page 3).
To order: (without unit) designate 8KS3 and finish.



8KS2 Strike (Supplied Standard)
Dimension: Conforms to ANSI A115.2 for 1 3/8" doors (2 3/4" x 1 1/8" with curved lip and box).
To order: (with unit) designate "STK" on How to Order (page 3).
To order: (without unit) designate 8KS2 and finish.



STRIKES & DOOR PREPARATION



SAMPLE SPECIFICATION ACCEPTABLE MANUFACTURERS

A. Locksets and Latchsets

Stanley/BEST - No Substitution.

1. Locksets and latchsets: ANSI A156.2, Series 4000, Grade 1 UL listed, extra heavy-duty cylindrical type.
2. Backset 2 3/4 inches (70mm)
3. Interchangeable core 7-pin: [Restricted keyway] [Patented] [Standard] [_____].
4. Locksets to have anti-rotational studs that are through-bolted.
5. Keyed lever with no exposed keeper hole.
6. Each lever to have independent spring mechanism designed to control lever only.
7. Outside lever sleeve seamless, 1-piece construction, hardened steel alloy.
8. Keyed Lever: Removable only after core is removed, by authorized control key, to allow access to knob keeper
9. Hub, side plate, anti-rotational studs 1-piece casting with shrouded locking lug.

B. Keys and Keying

A. Cylinders: 7-pin, interchangeable core and keyed into a [New] [Existing] factory registered Grand Masterkey System with a [Standard] [Restricted] [Patented] keyway.

1. Acceptable Material: Cylinders as manufactured by Stanley/BEST.

B. Provide construction cores and keys during construction period. Construction control and operating keys and cores are not part of permanent keying system or furnished on same keyway (or key section) as permanent keying system.

C. Permanent Keys and Cores: Prepare permanent cores and keys in accordance with keying schedule. [Stamp with applicable key mark for identification.] [Do not stamp.] [_____].

D. Provide Grand Masterkeys, Masterkeys and other Security Keys.

E. Furnish keys in the following quantities:

1. [4] [_____] each Grand Masterkeys.
2. [4] [_____] each Masterkeys per set.
3. [2] [_____] each Change keys each keyed core.
4. [6] [_____] each Construction masterkeys.
5. [2] [_____] each Control keys.
6. Install permanent cores in locksets.

F. Return construction cores to [(Stanley/BEST) factory representative] [Hardware manufacturer's representative].

STRIKES & DOOR PREPARATION

SAMPLE SPECIFICATIONS



11

12

SERVICE EQUIPMENT

KD304A Boring Jig Kit

The KD304A jig kit is made for boring cut-outs in wooden doors for Fed. Spec. 160 and 161 series cylindrical/tubular locksets, doors 1 3/8" to 2 1/4" thick. The KD304A kit includes the boring jig (to drill wood doors for 2 3/8", 2 3/4", 3 3/4", and 5" backsets), a quick-release adaptor for 3/8" drill chuck, a 2 1/8" bit, and a 1" diameter x 9" bit.



KD304A parts



KD304A with case

The following kit items can also be purchased separately.

KD309 – 2 1/8" bit

KD318 – 1" dia. x 9" bit

KD319 – 3/8", quick release adaptor

To order complete kits specify: **KD304A Kit**

KD312 and KD315 Face Plate Marking Chisel and KD325 Strike Plate Location Pin

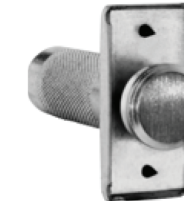
The KD315 face plate marking chisel (which locates the mortising for the faceplate) and the KD325 strike locating pin (which centers the strike for proper installation) and is used for Fed. Spec. 161 cylindrical lockset, (1 1/8" x 2 1/4"), and BEST® series 82T & 83T tubular locks. The KD312 face plate marking chisel is available for Fed. Spec. 160 (1" x 2 1/4") preparation.

To order specify:

KD312– face plate marking chisel 1" (160)

KD315– face plate marking chisel 1 1/8" (161)

KD325– strike plate locating pin



KD315
(Fed. Spec. 161)



KD325



KD303-9K

KD303 Through-Bolt Drill Jig

Special accessory jig aids in aligning 3/16" holes for through-bolt mounting. Install the latch first, then insert jig in 2 1/8" bored hole, align with door edge and drill with 3/16" drill bit.

To order specify: **KD303.**

KD317 Spanner Wrench and KD340 Spring Tool

All 9K locksets require the use of KD317 spanner wrench for door removal. This tool is included 1 per every 9 locksets with your order. If more are needed, designate KD317 on your order. The KD340 lever return spring tool with its unique design feature is used when replacing the 9K lever return spring.

To order specify: **KD340.**



KD317
Spanner Wrench



KD340
Spring Tool

For more information on Stanley Security Solutions' products, services, and office locations visit our web site at www.stanleysecuritysolutions.com

Product information contained in this catalog has been compiled and presented with as much care and completeness as is reasonably possible. Errors or mistakes may be present, and in many cases, reliance has been placed on information supplied by other manufacturers which may be in error or which may be subject to changes or modifications by the manufacturer without notice and without obligation. Therefore, no guarantee can be made or should be assumed or implied with regards to product information contained in this catalog.



Stanley Security Solutions, Inc.

6161 E. 75th Street Indianapolis, Indiana 46250

© 2013 Stanley Security Solutions, Inc. • www.stanleysecuritysolutions.com

10M 113
BAS008

LOCK - LEVERS



SOLANO COMMUNITY COLLEGE 2013 FACILITIES MASTER PLAN



STANLEY
Security Solutions

PADLOCKS



B SERIES
PADLOCKS



GENERAL INFORMATION

TABLE OF CONTENTS	
General Information.....	2
Patents.....	2
11B/12B Series	3
21B/22B Series.....	4
41B/42B Series	5
Accessories / Options	6-9
Car seal option	6
Weather cover option.....	6
Double lockout "safety first" option.....	6
Accessories / Options (continued)	6-9
21BSH shroud option	7
Cables.....	7
Special stamps.....	8
Frangible shackle option.....	8
Chain options.....	8
Lockout/Tagout	9
Patented keying system.....	10
Repair and parts.....	11

GENERAL INFORMATION

At the heart of every Stanley/Best padlock is a standard key removable core that is interchangeable throughout most of the entire line of BEST® products. This standardization permits Stanley/BEST locks of any type, size or style to be masterkeyed into one system which can expand to include future locking needs.

All padlocks utilize the interchangeable core which allows immediate rekeying at minimal cost. Padlocks are available in various case sizes and brass or stainless steel shackle sizes (see chart below). Brass or aluminum cases with brass shackles are also available. Options include key retained / non-key retained, bronze or steel chains, special case embossing (Brass case only), corrosion resistance, car seal. See pages 6-9 for a complete list of options available.

PATENTS

Products protected by one or more of the following patents:

3,603,123	4,075,878	3,882,699	3,850,014
3,652,114	3,728,879	3,605,458	4,244,093
4,386,510	4,424,693	4,444,034	4,655,063
D290,085	5,590,555	5,794,472	



P A D L



SPECIFICATIONS

Case – Machined from solid extruded brass or aluminum. Standard finish is 626 satin chromium plated.

Width – 1 19/16"

Length – 2 1/16"

Thickness – 7/16"

Shackle – The shackle locks at both heel and toe.

The length of shackle opening is measured from top of case to inside of shackle when padlock is locked.

Material – Stainless steel

Diameter – 3/8"

Width of opening – 7/8"

ASTM F883 – Meets Grade 3 with stainless steel shackle, grade 4 with XSPL shackle.

ASTM F883 – Meets Grade 6 for option E. (Corrosion resistance).

ASTM F883 – Meets Grade 6 for shackle cutting force with XSPL shackle option

41B/42B SERIES



41B Padlock



41B72 Actual Size

41B722 Actual Size

41B772 Actual Size

41B782 Actual Size

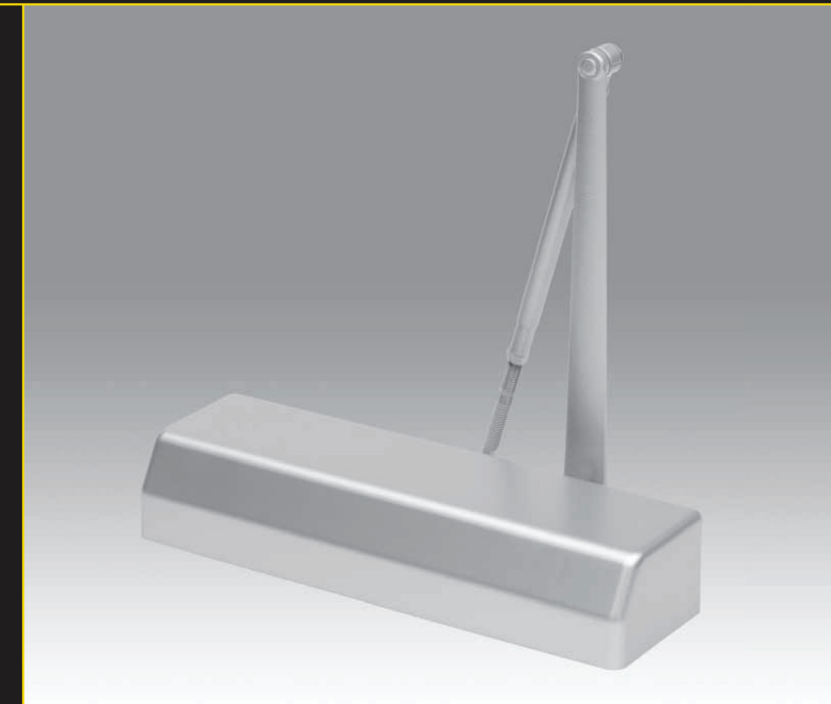
41B/42B HOW TO ORDER

41B Series	7 Core Housing	2 Shackle Height	T Function Code	Chain Option	Special Stamp No.	Options
41B – brass 3/8" diameter	7 – 7 pin housing all BEST® cores	Steel 2 – 3/4" 22 – 1 1/2" 72 – 2" 82 – 4"	T – key retained L – non-key retained	M – case drilled for chain M1 – bronze chain (41B only) M5 – galvanize steel chain with gray polycoating	Blank – BEST® logo Specify padlock stamp number or describe stamp. (41B only.) Price for special stamps on request.	606 – satin brass (41B only) S – car seal slot (41B only) WC – weather cover XSPL – cut resistant shackle Red – anodized finish (42B only) 7 – anodized finish (42B only)
42B – aluminum 3/8" diameter		Brass 0 – 3/4" 20 – 1 1/2" 70 – 2" 80 – 4"		(page 8)	(page 8)	(page 6-9)

O C K S



41B/42B SERIES



DOOR CLOSERS

D-4550 / D-4551 SERIES



STANLEY DOOR CLOSERS D-4550/D-4551



TABLE OF CONTENTS		Page	Page
General Information.....	2-4	Heavy Duty Arm (Push) Application	8
How To Order	4	Track Rail Arm (Pull) Application.....	9
Standard (Pull) Application	5	Electronic Hold Open (Push) Applications	10
Parallel Arm (Push) Application	6	Electronic Hold Open (Pull) Applications.....	11
Top Jamb (Push) Application	7	Accessories	12-15

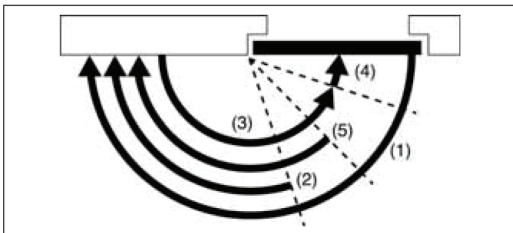


INTRODUCTION

The model D4550 Series is Stanley's best performing Heavy Duty Closer. The cylinder body is manufactured using R-14 Silicon Aluminum Alloy providing superior strength and durability on institutional applications. Available in a variety of standard and heavy-duty arm configurations accommodating a broader range of today's growing architectural application requirements.

Features

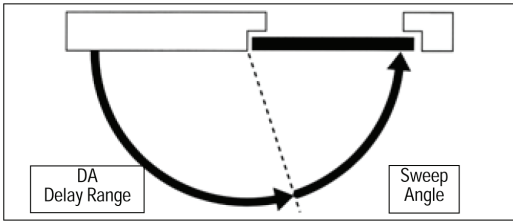
Fully Hydraulic Checking Controls the door through the entire opening and closing cycles by providing adjustable backcheck upon opening and adjusting general and latch speeds through the closing cycle.



(1) opening swing, no checking
 (2) backcheck (3) general speed (4) latch speed (5) advanced variable backcheck

Delayed Action - Optional

The D-4550DA / D-4551DA Series Door Closers are equipped with a separate hydraulic valve adjustment to delay the closing speed from 180 to 70 degrees of door opening range. To order add suffix DA to closer number.



Adjustable Spring Power

The D-4550/D-4551 Series Door Closers are designed to have the widest range of spring power adjustment available to meet the broadest range of application requirements.

Advanced Variable Backcheck (AVB) optional

Cylinder starts backcheck at approximately 45° instead of the normal 75°. Add suffix "AVB" to selected cylinder. When combined with Delayed Action consult factory for special template. (Heavy Duty Arm applications).

All Season Fluid

All season fluid eliminates the need for seasonal adjustment

Closing Power Adjustment

D-4550* – Size 2 – 6 with 50% spring power adjustment over size 4. * Meets ADA 5lb opening force requirements on all applications except Pull-Side Regular Arm Mount.

The D-4550 Series is adjusted to size 3 before leaving the factory.

D-4551** – Size 1 – 5 with 35% spring power adjustment over size 5. ** Meets ADA 5lb opening force requirements.

The D-4551 Series is adjusted to size 2 before leaving the factory.

Delayed Action

A delayed action feature is available with this series for all applications and arms. The feature permits the door to close very slowly through the delayed action cycle range.

Forged Arms

Heavy duty forged arms are interchangeable between the D-4550 and D-3550 Series Door Closers.

High Impact Cover

All D-4550 / D-4551 Series Door Closers are shipped with a high impact self-extinguishing decorative cover.

Latching Power Adjustment

The D-4550 / D-4551 Series Door Closers have the provision to adjust the leverage of the arms by changing the pivot position of the arm in the shoe. The shoe itself does not have to be removed from the door or jamb.

Maintenance Free

Door Closers mounted in accordance with the provided installation instructions are maintenance free from periodic inspection and adjustment.

Metal Cover - Optional

Optional stainless steel, brushed finish metal cover is available

Non-Handed

Can be used on both RH and LH doors for both push side and pull side mounting.

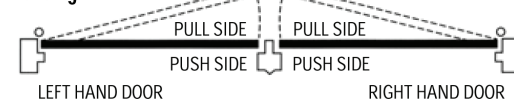
Special High Silicon Aluminum Alloy Housing

All D-4550 / D-4551 Series Door Closers are constructed of "STANLEY'S" R14 HIGH SILICON ALUMINUM ALLOY to exceed the ANSI/BHMA A156.4 Grade 1 requirements.

Special Rust Inhibitor (SRI) - Optional

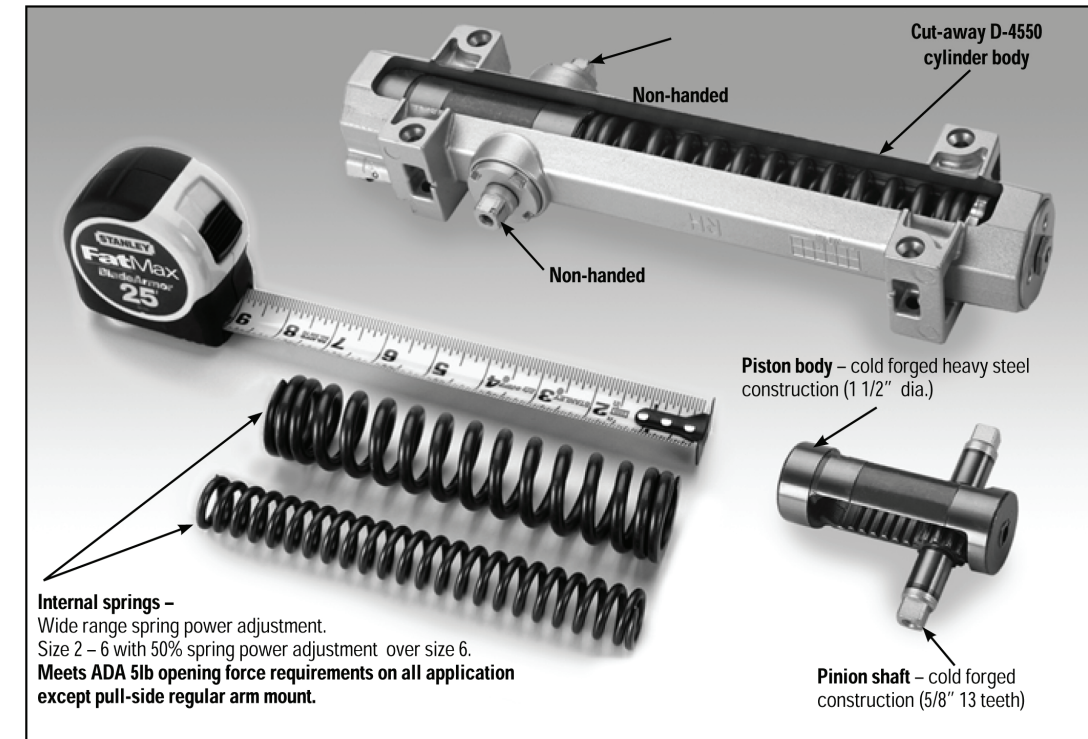
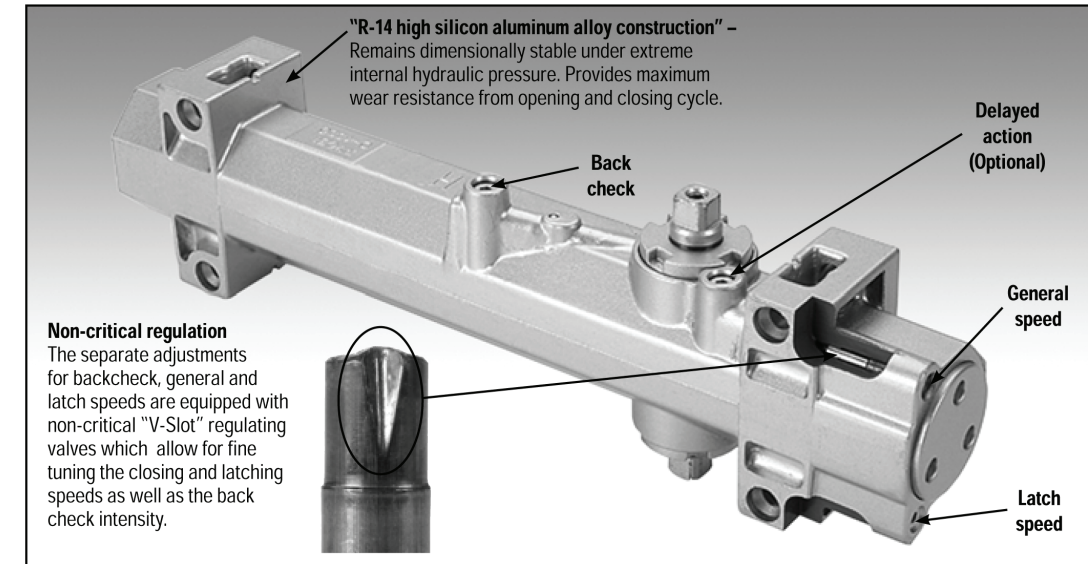
For installations where a higher level of corrosive resistance is required.

Handing



GENERAL INFORMATION

Non-handed feature is available in a variety of finishes wide range of spring power adjustment. Standard packaging with tri-pack: regular, top-jamb and parallel arm arrangement. Can be ordered with heavy duty arm assembly. ANSI/BHMA A156.4 Grade 1, U.L. listed U.S. & Canada. The cylinder body is made from R-14 die cast aluminum. This alloy provides wear resistance from contact with the piston during the opening and closing cycle. R-14 wear characteristics are similar to that of cast iron. In addition the R-14 aluminum alloy holds the cylinder body dimensionally stable under extreme internal hydraulic pressures.



D-4550 SERIES

DOOR CLOSERS



GENERAL INFORMATION

Arm Options Suffix	Description	Page
L	Long Rod Forearm (Top Jams only)	10
H	Standard Hold Open	5
PH	Parallel Hold Open	6
EH	Electronic Hold Open	13, 14
H-EDA	Heavy Duty Arm w/Hold Open	8
S	Heavy Duty Arm w/Stop	8
CS	Heavy Duty Arm w/Compression Stop	8
HS	Heavy Duty Arm w/Hold Open and Stop	8
HCS	Heavy Duty Arm w/Hold Open & Comp. Stop	8
T	Track Mount	10
HT	Track Mount w/Hold Open	10
TCS	Track Compression Stop	10

Packaging Information:

All D-4550 / D-4551 Series Door Closers with standard arm sets are packed for mounting on standard, parallel arm or top jamb applications. All closer assemblies are packed 4 per carton. Tracks for track mounted closers are packed separately.

Through Bolts and Sex Nuts:

When through bolting is ordered, factory will furnish sex nuts for use with the machine screws furnished with the closer. Nuts are sized to accommodate 1-3/8" or 1-3/4" thick doors. Mounting screw thread size 12/24.

Finishes:

- 689- Aluminum painted
- 690- Dark bronze painted
- 691- Light bronze painted
- 693- Black painted
- 695- Dark bronze painted
- 696- Satin brass painted

ANSI and U.L. Specifications:



The D-4550/D-4551 Series Door Closers have been Certified to the requirements of the ANSI/BHMA Standard A156.4 - 2000 Grade 1. Available in a variety of ANSI/BHMA finishes. The Stanley Door Closer electro-static finishes surpassed over 100 hours of salt spray exposure.

UL listed with Underwriters' Laboratories, Inc. and Underwriters' Laboratories of Canada for "Self Closing Doors Without Hold-Open Feature". (File number 7525R).

UL10C - UBC 7.2

D-4550/D-4550 closers have been tested and certified to meet the positive pressure criterion of UL10C & UBC 7.2 (1997)

HOW TO ORDER: D-4550/D-4551

D-455	0	DA	EDA	689	SN
Model. No.	Size	Options	Arm Type	Finishes	Fasteners
D-455	0- See Closing Power Adjustment page 2 1- See Closing Power Adjustment page 2	AVB - advanced variable backcheck (optional) DA - Delayed Action (optional) MC - Metal Cover (optional)	L- Long Rod Forearm (TJ only) H - Standard Hold Open PH - Parallel Hold Open EDA - Heavy Duty Arm EH - Electronic Hold Open H-EDA - Heavy Duty Arm w/Hold Open S - Heavy Duty Arm w/ Stop CS - Heavy Duty Arm w/Compression Stop HS - Heavy Duty Arm w/ Hold Open & Stop HCS - Heavy Duty Arm w/ Hold Open & Compression Stop Std. Packaging - See packaging above T - Track Mount HT - Track Mount w/ Hold Open TCS - Track Compression Stop	689 690 691 693 695 696	SN - Sex Nuts & Bolts Wood & Machine Screws furnished standard SEC - Security Screws



D-4550 SERIES



EXIT DEVICES

APEX 2000 SERIES



TABLE OF CONTENTS

WIDE STILE EXIT DEVICES & TRIMS	Page	ACCESSORIES	Page
Rim Devices	4, 5	ALK Exit Alarm Kit	27
Surface Vertical Rod Devices	6, 7	CDK Cylinder Dogging Kit	19
Mortise Devices	8, 9	E Electric Lock/Unlock Kit	28
Wood Door Concealed Vertical Rod Devices	14, 15	ELR Conversion Kit	21
Concealed Vertical Rod Devices	16, 17	ELR150 Power Supply and Modules.....	21,22
NARROW STILE EXIT DEVICES & TRIMS		LSK Latchbolt Monitoring Conversion Kit.....	29
Rim Devices	10, 11	PS160-6 Power Supply.....	25
Concealed Vertical Rod Devices	12, 13	TSK Touchbar Monitoring Conversion Kit.....	29
MULLIONS		Cylinders.....	19
Removable Mullion	18	Double Cylinders Conversion Kit	19
Fire Labeled Removable Mullion	18	Sex Nuts & Bolts.....	3
Key Removable Mullion	18	Strikes	34
EXIT DEVICE OPTIONS		MISCELLANEOUS COMPONENTS	
ALK Exit Alarm (Battery Operated)	27	Braille Touchbar	35
ALW Exit Alarm (Remote Power)	27	Dummy Touchbar	35
BRL Braille Touchbar	35	End Cap & Mounting Bracket	35
CD Cylinder Dogging	19	Dogging Key & Rod Guide	35
DE Delayed Egress	24, 25	Fire Bolt Assembly	35
DS Door Position Switch.....	29	Power Transfers	35
E Electric Rim & Mortise Devices	28	Security Screws	35
ELR Electric Latch Retraction	21, 22, 23	Shim Kit.....	35
HC Windstorm and Hurricane Code Devices	20	Top Rod & Bottom Rod lengths	35
LD Less Dogging	19	ADDITION INFORMATION	
LS Latchbolt Monitoring	29	Introduction	2
LDS Latchbolt Monitoring Double Switch	29	Base Material and Finishes	3
Q Wireless Access Management System	30-32	DE Application Charts	26
TS Touchbar Monitoring	29	Device Dimensions	37
TDS Touchbar Monitoring Double Switch	29	Device Minimum Stile Width.....	36, 37
WALW Weatherized Exit Alarm (Remote Power).....	27	ELR application Charts	23
WTS Weatherized Touchbar Monitoring	29	Fasteners	3
WTDS Weatherized Touchbar Mon. Double Switch	29	Fire Label Rating Chart.....	33
Double Cylinder	9	Quiet Operation.....	2
Electric Mortise Lock.....	28	Touchbar Clearance	2
		Trim Dimensions	38

Introduction

The Apex 2000 Series Touchbar Style Exit Device is highly regarded by architects and end-users alike. Many of the nation's largest healthcare and educational facilities prefer the Apex for its aesthetic design and efficient engineering. All Apex 2000 Series Exit Devices are UL listed for panic and fire hardware and are certified to ANSI A156.3 Grade 1. Several models are also certified for hurricane resistant applications.

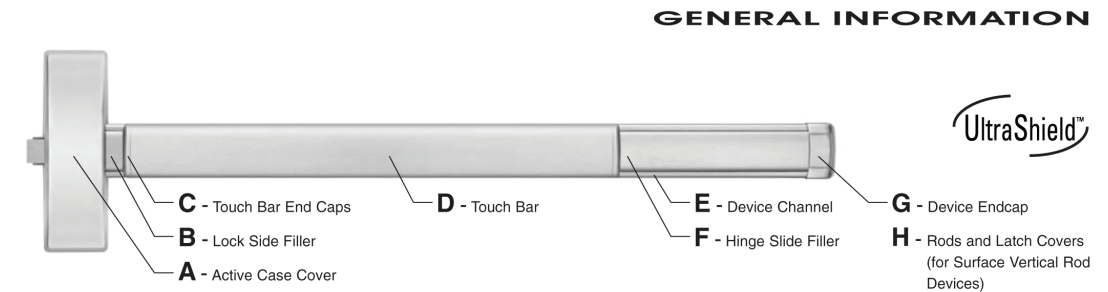
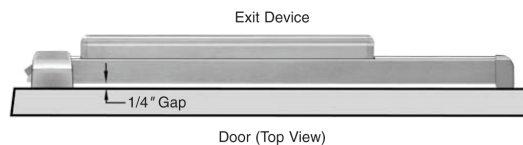
A complete offering of mechanical and electrical options provide a wide range of exit device security solutions. However, the traditional core strengths of the product can't be overstated. Simple operation with few moving parts, manufactured with true ANSI/BHMA architectural finishes. The chassis is constructed from investment cast steel and the universal mounting holes provide an easier retrofit installation.

Quiet Operation

Sound Dampeners reduce the noise associated with Exit Device operation on the depression and return stroke of the Touchpad.

Touchbar Clearance

The Apex Wide Stile Series Exit Devices accommodate doors with vision lites or glass windows where the vision lite frames or moldings project up to 1/4 beyond the face of the door. The Active Case and End Cap Mounting Bracket are mounted on the face of the door without shims or without cutting the glass molding. These devices have a 1/4" gap between the face of the door and the Touchbar Assembly. This gap allows proper functioning of the devices even on doors which are not perfectly flat. Since the Active Case is mounted directly on the face of the door, it accommodates standard lengths of through bolting screws, thumbpieces, knob & lever Trim fingers, and cylinder tail pieces.



Base Materials

Finishes	ANSI/BHMA	US	Aluminum	Brass	Bronze	Stainless Steel
Polished Brass, Clear Coated	605	US3	—	A,B,C,D,E,F,G,H	—	—
Satin Brass, Clear Coated	606	US4	—	A,B,C,D,E,F,G,H	—	—
Satin Bronze, Clear Coated	612	US10	—	—	A,B,C,D,E,F,G,H	—
Dark Oxidized Satin Bronze	613	US10B	—	—	A,B,C,D,E,F,G,H	—
Satin Aluminum, Clear Anodized	628	US28	A,E,F	—	—	B,C,D,G,H
Satin Stainless Steel	630	US32D	—	—	—	A,B,C,D,E,F,G,H

Finishes

ANSI/BHMA	US	Description
605	US3	Polished Brass, Clear Coated
606	US4	Satin Brass, Clear Coated
612	US10	Satin Bronze, Clear Coated
613	US10B	Dark Oxidized Satin Bronze
625	US26	Polished Chromium Plated
628	US28	Satin Aluminum, Clear Anodized
630	US32D	Satin Stainless Steel

Antimicrobial finishes

626AM		Satin Chrome Plated with UltraShield™ Antimicrobial coating
630AM		Satin Stainless Steel with UltraShield™ Antimicrobial coating

Mullion finishes

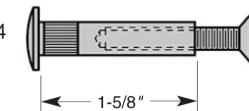
600	USP	Primed for Paint
689		Aluminum Paint
695		Dark Bronze Paint

Fasteners

Furnished standard with machine screws and full thread wood/sheet metal screws. Specify Sex Nuts and Bolts (SNB) where recommended or required by the door manufacturer.

Sex Nuts & Bolts (not furnished std.)

Sex Nuts & Bolts are furnished with No. 10-24 x 1" OHMS (1-1/2" long screws required for guides).



Security Screws

All exposed screws will be a Torx pin in tamper resistant type, machine screws only. Specify (SEC) Security Screws. Cover Screws use a T20 driver, End Cap Screws use a T25 driver.



Door Sizes

Stock sizes for door widths and heights are listed below. If required, cut to size in the field.

Door Widths	Stock Sizes
2'-0" to 2'-6"	2'-6"*
2'-7" to 3'-0"	3'-0"
3'-1" to 4'-0"	4'-0"

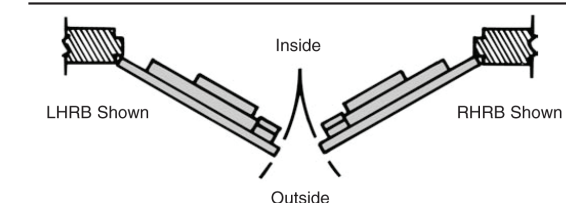
* Not available for Narrow Stile Devices.

Vertical Rod Devices

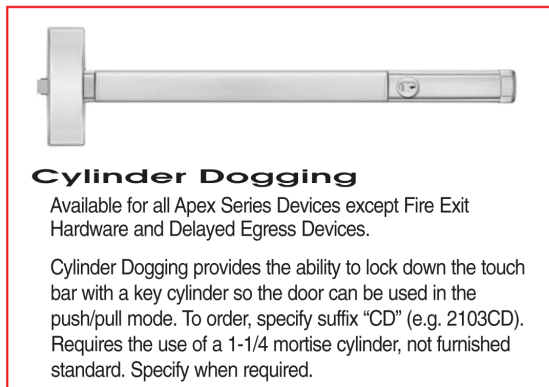
Device	Door Heights	Stock Sizes
Surface Vertical Rod Device*	up to 7'-0"	7'-0"
	7'-1" to 8'-0"	8'-0"
	8'-1" to 10'-0"	10'-0"
Concealed Vertical Rod Device	6'-8" to 8'-0"	8'-0"
	8'-1" to 10'-0"	10'-0"

* Surface Vertical Rods are furnished of the same material as the device. Stainless steel rods are furnished for 625, 628 and 630 devices.

Hand of Doors



APEX 2000 SERIES DEVICES



Cylinder Dogging

Available for all Apex Series Devices except Fire Exit Hardware and Delayed Egress Devices.

Cylinder Dogging provides the ability to lock down the touch bar with a key cylinder so the door can be used in the push/pull mode. To order, specify suffix "CD" (e.g. 2103CD). Requires the use of a 1-1/4" mortise cylinder, not furnished standard. Specify when required.

Less Dogging

Available for all Apex Series Devices except Fire Exit

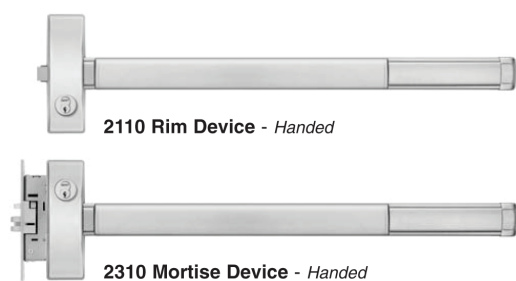
CYLINDER FUNCTIONS

Cylinder Dogging Kit

To convert from hex key dogging to cylinder dogging in the field, a cylinder dogging kit is available. The kit consists of a channel filler, blocking ring, cylinder locator and lock nut. Requires the use of a 1-1/4" mortise cylinder, not furnished standard. Specify when required.

Note: The channel fillers are different lengths for narrow and wide stile devices. "NCDK" - Narrow Cylinder Dogging Kit.

To Order: specify CDK-3, NCDK-3 for up to 3-0 and CDK4, NCDK-4 for devices up to 4-0.



2110 Rim Device - Handed

2310 Mortise Device - Handed

Double Cylinder Kits - Handed

The kit is available to convert 2103, FL2103, 2303 and FL2303 devices to 2110, FL2110, 2310 and FL2310 in the field.

Rim Kit No. RDC10 - Includes locking assembly, cylinder assembly, cylinder collar and active case cover. Two rim type cylinders are required, not furnished standard.

Mortise Kit No. MDC10 - Includes M310 Mortise Lock, extension assembly, cylinder bracket, cylinder collar and active case cover. One rim type and one 1-1/4" long mortise type cylinder required, not furnished standard.

To Order: Specify Hand and Finish (e.g. RDC10 RHRB 630)

Double Cylinder - Handed

("10" Function)

The Double Cylinder option is available on the Wide Stile Rim and Mortise Exit Devices. The inside key cylinder locks or unlocks the outside Trim and the outside key cylinder retracts the latchbolt. Specify Outside Trim with "08" function.

When only the inside key cylinder is required to lock or unlock the outside trim and no outside cylinder operation is necessary, specify outside trim with "14" function.

Cylinders - Not furnished standard.

Rim Devices - Two rim type required.

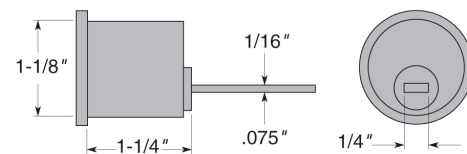
Mortise Devices - One rim type and one 1-1/4" long mortise type required.

Type	Device No.		Trim No.
Rim	2110, FL2110	x	4908A, V4908A, 4914A
Mortise	2310, FL2310	x	M4908A, VM4908A, M4914A

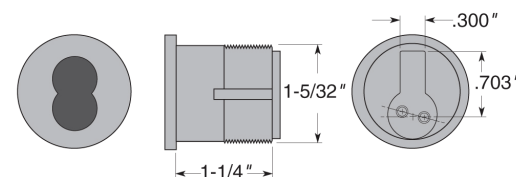
To Order: Specify Hand and Finish (e.g. 2110 4908A RHRB 630)

Cylinders

Cylinders or interchangeable cores are not furnished with the device or trim. A BEST® cylinder housing and 7-pin core can be ordered separately. Specify type and finish when ordering. (e.g. 1E74 x 630)



Rim Cylinder - 1E72 x Finish



Mortise Cylinder - 1E74-C4 x Finish



DESIGN STANDARD for Doors and Door Frames

Purpose:

Doors are an important part in the user's experience, and are perhaps the most intimately experienced element of the built environment, because they are used daily to enter and exit the building and the rooms and spaces within. Doors should be inviting, easy to find, easy to use, durable and maintainable, add aesthetic value, and allow authorized entries while restricting unauthorized entries. The door design standards cited herein are intended to establish and maintain a minimum level of door quality in the educational and work facilities of SCCD buildings.

Note: these Design Standards are a tool to clarify direction and streamline project execution for design professionals, construction managers and other participants in capital improvement projects. Given the compatibility requirements with the Electronic Access Control System, **all doors and door frames selected by consultant must be reviewed by the Director of Facilities** and equivalent products (only where allowed) have to be approved as outlined in the [Open this Document First: Standards Process.pdf](#). In all cases the written design standards do not diminish or eliminate the standard of care owed by the consultant to SCCD or relieve, in any manner whatsoever, a consultant from any professional responsibility, duty or due diligence required toward that work.

Design Standard:

A. Exterior Doors and Frames (For Main Entry):

Given the windy conditions on all District Sites, which create challenges for the disabled community access, the District Standard for Exterior Doors is as follows:

- 1) Preferred Choice for Main Entrance to Buildings: Automatic Sliding Doors.
 - These Doors shall have the following features:
 - Continually monitor door position with microprocessor controller.
 - Provide smooth, trouble-free operation with long-lasting load-bearing wheels.
 - Prevent slippage and uneven closing with anti-riser wheels.
 - Provide complete threshold protection at all times with self-contained sensors.
 - Emergency Breakaway Capability: power-operated automatic sliding doors may be used as emergency egress doors because they "break-out" in the direction of egress.
 - Glazing: Standard 1/4" tempered to match Glazing in [Design Standard for Glazing](#).
 - Door & Frame Finish to match Exterior Aluminum Entrance in item B that follows.
 - Access Control Locking with recessed panic hardware: coordinate stile width to accept EACS (Electronic Access Control System), see [Design Standard for Electronic Safety and Security](#). Door hardware must be compatible with EACS.
 - Battery Back-Up.

- Control Switch: Auto-Close-Open.
- Product: Stanley Access Technologies *Dura-Glide 2000/3000*. No substitutions allowed.

2) Alternate Choice for Main Entrance to Buildings: Aluminum Entrance Doors per item B below.

- Provide hardware as identified in [Design Standard for Door Hardware, item A2](#).

B. Exterior Doors and Frames (All other Entries and Public Access Spaces):

- Aluminum Entrances such as *Kawneer 350 Heavy Wall Entrance, Vistawall 375* or equivalent.
- Aluminum Storefront such as *Kawneer Trifab®400* or equivalent.
- Entrance, Frame and Storefront Finish:
 - Fairfield: *Kawneer Finish No. 40 Dark Bronze Anodized Aluminum*, Aluminum Association Specification # AA-M10C22A44.
 - Vallejo and Vacaville Centers: *Kawneer Finish No. 14 Clear Anodized Aluminum*, Aluminum Association Specification # AA-M10C22A41.
- Coordinate Stile Width with door hardware, see Electronic Access Control System in [Design Standard on Electronic Security and Safety](#) and [Design Standard on Door Hardware](#).
- Glazing per [Design Standard on Glazing](#).

C. Exterior Doors and Frames (All others):

- Shall be Aluminum Entrance if they occur in Aluminum Storefront. For finish, see item B above. For Glazing see [Design Standard on Glazing](#).
- Shall be Hollow Metal Doors and Frames all other instances:
 - Insulated Exterior Flush Doors: ANSI 250.8, Level 4 Maximum Duty, Model 2 Seamless Construction, 14 gauge thick galvanized metal. Reinforce door lock edge with one-piece full height 14 ga channel; reinforce hinge edge with one-piece full height 12 ga channel.
 - Exterior Door Frames: full profile welded, ANSI 250.8, Level 4 Maximum Duty, 12 gauge thick material, 2-inch core with 1 ½" flashing fin.
 - Hollow Metal Door and Frame Finish:
 - Paint grade hollow metal doors and frames shall be painted the same color as the surrounding wall finish, to allow the doors to visually "disappear" to reinforce that the doors are not for public access.
 - Exceptions: if appropriate to Exterior Color Scheme hollow metal door frames should be painted to match finish identified in item B above (Entrance, Frame and Storefront Finish), and hollow metal doors should be painted per Exterior Color Scheme.
 - Suggested Manufacturers: Amweld, Curries or equivalent.

D. Interior Doors (Public Spaces):

- Stained wood veneer solid core doors are to be used for all public space types, such as classrooms, offices, labs, meeting rooms, break rooms, restrooms, and corridor separation doors.
 - Flush Interior Doors: 1-3/4 inches thick; WI Premium Grade; solid core; 5 ply construction; "A" grade veneer per ANSI/WDMA I.S.1A, White Birch, Plain-Sliced.
 - [Preferred Finish Option](#)
Basis of Design: Marshfield DoorSystems® Signature Series Wood Veneer Doors, White Birch, Plain-Sliced, Honey 26-95 Finish with Enviroclad UV™
 - [Alternate Finish Option subject to approval by District](#)
Basis of Design: Marshfield DoorSystems® Signature Series Wood Veneer Doors, White Birch, Plain-Sliced, Wine 38-95 with Enviroclad UV™
 - Materials subject to compliance with LEED Green Building Rating System Credit Requirements.
 - Suggested Manufacturers: Marshfield Door Systems; Algoma Hardwoods inc or equivalent.
- Exceptions: if appropriate to design and use, public space doors can be glazed aluminum storefront doors. Finish: Clear Anodized Aluminum.

E. Interior Doors (Non-Public Spaces):

- Painted hollow metal doors are to be used for non-public type spaces, such as utility rooms, maintenance shops, warehouses, and theatrical back-of-house areas such as oversized scene shop doors.
- Hollow Metal Flush Doors shall be:
 - Steel Sheet material in accordance to ANSI A250.
 - ANSI 250.8, Level 3 Extra Heavy Duty, Model 2 Seamless Construction
 - 14 gauge thick metal.
 - Reinforce door lock edge with one-piece full height 14 ga channel; reinforce hinge edge with one-piece full height 12 ga channel.
 - Paint grade doors shall be painted the same color as the surrounding wall finish, to allow the doors to visually "disappear" to reinforce that the doors are not for public access.
- Suggested Manufacturers: Amweld, Curries or equivalent.

F. Interior Door Frames:

- Shall be (Hollow Metal) Steel Sheet material in accordance to ANSI A250:
 - Full profile welded, ANSI 250.8, Level 4 Maximum Duty, 12 gauge thick material, 2-inch core with 1 ½" flashing fin.
 - Frame Finish:
 - At Public Space Types: paint grade hollow metal frames shall be painted to visually match the Clear Anodized Aluminum.
 - At Non-Public Space Types: paint grade hollow metal frames shall be painted the same color as the surrounding wall finish, to allow the frames to visually "disappear" to reinforce that the doors are not for public access.

- Suggested Manufacturers: Amweld, Curries or equivalent.

Approved Manufacturers:

As noted in this Standard.

Substitutes Allowed:

Not Applicable.

Associated Design Standards and Construction Specifications

Design Standard on Electronic Safety and Security Standards.
 Design Standard on Doors Hardware.
 Design Standard on Glazing.

End of Document

DESIGN STANDARD for Elevators

Purpose:

When required elevators are a critical component in the building. They provide access to the disabled community, transport supplies and equipment vertically through a building, and provide convenience to the general public. Given tight maintenance budgets, new and renovated elevators must achieve reliable performance and ride quality, as well as the level of aesthetic quality, operability and maintainability suggested by this design standard.

Note: these Design Standards are a tool to clarify direction and streamline project execution for design professionals, construction managers and other participants in capital improvement projects. They represent the District’s “strong preference” and should be applied, when possible, without compromising the creativity of the overall design. Final disposition, color, size, product choice etc. should conform to the best extent possible where equivalent substitutes are allowed in the Design Standard. If equivalent substitutes are allowed only “if performance and quality equivalency can be evidenced” or the consultant wishes to deviate from the written design standards for other reasons, then the consultant needs to provide evidence/justification and seek District approval as outlined in the *Open this Document First: Standards Process.pdf*. In all cases the written design standards do not diminish or eliminate the standard of care owed by the consultant to SCCD or relieve, in any manner whatsoever, a consultant from any professional responsibility, duty or due diligence required toward that work.

Design Standard:

1. Elevator Installer and Maintenance Qualifications

Installer must be a licensed Elevator Contractor in the State of California and must:

- Show evidence of successful experience in complete installation and maintenance of proposed manufacturer’s elevator equipment.
- Directly employ sufficient competent personnel within 50 miles of Fairfield, California to handle both construction and maintenance duties.
- Maintain local stock of parts adequate for replacement on permanent or emergency basis.
- Respond to trouble calls within one hour.

2. Elevator Types and Stops

- Given the height of buildings proposed (two to three stories) and the existing precedent on campus, hydraulic elevators are the preferred elevator type at SCCD.



- Provide at least one elevator that serves all floors, including Basement (where it exists) and Roof Level.

3. Controllers

- Elevators shall use standard, non-proprietary controllers. This allows SCCD to have many choices of service providers, rather than being locked into one sole source provider. Acceptable controllers include MotionControl Engineering, or an equivalent controller that can be easily and economically serviced by an elevator service company other than the installing company.
- All diagnostic tools and equipment required for adjusting and troubleshooting shall be an integral / "on-board" feature of the microprocessor controller, and shall not require recharging, reprogramming or be of the automatic destruct type.

4. Battery Emergency Operation

Battery back-up is required to prevent entrapment during power outages. In the event of a power outage, the battery power lowers the elevator to the main exit floor and the doors open to allow anyone who would otherwise be entrapped to exit safely.

Battery backup should operate as follows:

- Provide a battery driven unit that will initiate operation of the protective circuits in case of a power failure.
- Arrange circuitry so that, if the mainline switch is open when the power transfer takes place, the elevator will not respond to the operation of the protective circuit.
- In case of normal power failure, arrange the elevator system to lower from a battery emergency supply. The emergency power supply shall consist of battery and battery chargers.
- Upon the failure of normal power, lower the elevator to the main exit floor. Upon arrival at the main exit landing, the elevator doors shall open automatically and remain open until regular door time has expired. The elevator shall then become inactivated.
- Automatically resume normal operation on restoration of normal power supply to the building.

5. Double-Bottom Cylinders with Sealed PVC Casings

To enhance passenger safety and reduce the risk of environmental contamination, SCCD requires new hydraulic elevators to have a double-bottom cylinder (in order to control the descending speed of the car as the hydraulic oil passes through a relief orifice should the bottom plate fail). SCCD also requires new hydraulic elevators to have a sealed PVC casing (to surround the entire cylinder and provide additional protection to the double-bottom cylinder investment and against environmental contamination).

6. Performance, Operating Qualities, Vibration Control and Sound Control

Performance:

- Contract Speed: Maximum ten percent (10%) speed variation under any loading condition in either direction.
- Hydraulic Pressure: Hydraulic components shall be factory tested for 600 PSI. Maximum operating pressure shall be 425 PSI.
- Door Open Times: 2.3 - 2.5 Seconds.
- Door Close Times: 3.0 Seconds or minimum without exceeding kinetic energy and closing force allowed by code.
- Door Dwell Times: Separate adjustable timers with initial settings at 5.0 seconds for both car and hall calls. Door dwell times shall be canceled by registration of car calls or by pressing the "door close" button.
- Leveling: Within three-eighths (3/8) inch under any loading condition.
 - Level into floor at all times, do not overrun floor and level back.

Operating Qualities:

- Transition: Starting and stopping shall be smooth and comfortable.
- Slowdown, stopping and leveling shall be without jars or bumps.
- Full Speed: Riding shall be free from vibration and sway.

Vibration Control:

- Specify effective sound isolation materials to isolate pumping plant from building structure to prevent objectionable noise and vibration transmission to occupied building spaces.

Sound Control:

- Maximum acoustical output level shall not exceed:
 - 80 dBA measured 3 feet from any piece of equipment in machine room.
 - 50 dBA measured in center of elevator cars and 5 feet above the cab floor during all sequences of operation.
 - 45 dBA measured in elevator lobbies 10 feet from the elevator doors.

7. Finishes

SCCD's preferred finishes include:

- No. 4 Satin Stainless Steel for interior doors, exterior doors, and for door jambs.
- Interior cab walls wear best with textured, rigidized stainless steel, with its increased impact resistance, graffiti resistance, and reflection control that hides scratches and

eliminates oil-canning. Rigidized Metals Corporation's 5.WL is an acceptable textured stainless steel; equivalent textured stainless steel (e.g., 6.WL, 1.NA, 2.WL, 1.CS, and 1.HM) are also acceptable.

- Designers should plan on replacing existing cab finishes that do not conform to these design standards, except in the case of freight-only elevators.
- Stainless Steel grab bars, no aluminum or brass.
- The sill shall be extruded aluminum, recessed to allow for finished floor.
- The finished flooring shall be the same resilient flooring as adjacent spaces.

8. Signage

- Permit holder shall be displayed within the elevator.
- The hallway signage warning occupants to use the stairway for exit in case of fire should be combined with the hall call button, in one brushed metal plaquard.

9. Key Switches

Key switches shall be keyed to the College's master key system. This requirement ensures that operating personnel do not have to carry or duplicate additional keys, and emergency response personnel (particularly fire responders) have the appropriate keys. Each function and/or lock shall be keyed alike.

Coordinate the design of the elevator controls key switches with the work of the security system designer and hardware specifier. Note that the appropriately pinned cylinders will be provided to the elevator contractor for installation.

10. Ceilings and Lighting

SCCD goal for elevator lighting includes an evenly and adequately lit cab using energy efficient lamps with long service lives. To that end, designers should specify any of the following lighting options:

- Suspended opaque acrylic ceiling grills, acting as lighting diffusers to the fluorescent strip lights above that include electronic ballasts and four foot T8 lamps
- Suspended silver parabolic lenses, acting as lighting diffusers to the fluorescent strip lights above that include electronic ballasts and four foot T8 lamps
- No. 4 Stainless steel panels with recessed, fluorescent down cans

Emergency Lighting:

- Specify a battery driven and self-recharging emergency car lighting unit, mounted on top of car, with sufficient capacity to operate emergency lights in continuous operation for four hours and the alarm bell for one hour.

- Within 5 seconds of loss of normal power activate two lamps as part of normal cab lighting. Surface mounted lights are not acceptable.
- Specify a test button in service cabinet.

11. Telephone

Specify a complete system consisting of a telephone and automatic dialer and push button to activate system. The telephone shall not be on the District's VOIP internal communications system, because category 6 cabling has a bending radius constraint inconsistent with the requirements of the elevator shaft; specify a POTS line. Mount behind a pattern of holes as an integral part of car operating panel. The automatic dialer shall be programmed to call the elevator contractor's telephone monitoring service (see Section 14 Warranty and Service, below).

12. Card Readers

Elevators with exterior access shall be tied to the College's Electronic Access Control System (EACS), for after-hours access. See [Design Standard for Electronic Safety and Security](#). The EACS shall also be used if floors or areas of the building are to be isolated from each other during or after hours.

Coordinate the design of the elevator controls with the work of the security system designer. Specify that the elevator contractor is to include required wiring from the cab and elevator lobbies to the machine room, and that the final connections of the card readers shall be made by the security system integrator.

13. Protective Pads

Each cab must have its own set of pads provided in a heavy duty duffel bag with handles. This requirement ensures that each cab can be protected even during concurrent furniture/fixture/occupant moving operations, that maintenance personnel can handily carry the pads from the storage location to the cab for ease of installation, and that the pads are protected during periods of storage.

- Pads shall cover all walls with cutout sections for car operating panels.
- Specify heavy duty stainless steel buttons attached to cab panels for hanging.

14. Permits

- Specify that contractor is responsible for arranging and paying for inspections by governing authorities and obtaining operating permits.
- The operating permit shall list as the owner: Solano Community College District, 4000 Suisun Valley Road, Fairfield, CA 94534.

15. Warranty and Service

The elevator contractor shall warrant the new or renovated elevator for a period of 12 months following substantial completion of the general contractor's contract. Under no circumstances shall the elevator warranty period commence prior to the governing authority issuing an operating permit for the elevator.

SCCD typically uses one elevator service company to perform all its elevator service on existing elevators, including telephone monitoring service, monthly preventive maintenance service, callback repairs, entrapment rescues and 5-year load testing. However, we require new or renovated elevators to be fully serviced for the first 12 month period by the same elevator contractor who installed and is warranting the unit, and this requirement should be specified in the construction specifications.

Specify the following activities and criteria to be included as part of this requirement:

- Prior to commencing the 12 month maintenance service period, execute a standard elevator maintenance service agreement with the Solano Community College District, through the office of the Director of Facilities.
- Provide complete monthly maintenance on entire elevator system for a period of 12 months. This shall minimally include:
 - Examination: Include systematic examination with monthly adjustment and lubrication of elevator equipment. Whenever required provide replacement of defective parts with parts of same manufacture as required for proper operation. Contractor is not responsible for repairs to car enclosures, door panels, frames, sills or platform flooring resulting from normal usage or misuse, accidents and negligence.
 - Testing: Include any testing required by Code authorities including monthly testing of Firefighters' Service.
 - Performance Standards: Maintain smooth starting, stopping, ride qualities and accurate leveling at all times.
 - Call-Backs: Provide 24 hour emergency call-back service at no additional cost to Owner. Emergency call-back includes trapped passengers and incidents where serious equipment or building damage may occur. Respond to trouble calls within one hour.
 - Telephone Monitoring: The automatic dialer shall be programmed to call the elevator contractor's telephone monitoring service. Coordinate through the District's Office of the Vice Chancellor of Facilities for the College's callback notification protocol.
- Final Service and Inspection: Two weeks before expiration of the year's maintenance, the equipment shall be lubricated, fully serviced, adjusted to the standards designated and emergency service operation devices shall be checked. A representative of the District will make a complete inspection.

- Elevator Shutdowns:
 - Should the elevator become inoperative, repair or replace minor components within 24 hours of notification of failure and return to service. Complete service and repairs of major components within 72 hours.
 - The District may order the work done by other contractors at the Contractor's expense for failure to comply with the requirements noted above.
 - Extend maintenance and responsibility for correct operation to devices repaired or replaced by others under these circumstances.
- Follow-Up Tests: Test all safety devices and emergency operations at 6 month intervals or sooner and submit written report on each test. Perform tests at times that do not interfere with College operations.
- Maintenance Tool and Software Manuals: Provide maintenance tools, supporting software, instruction manuals and all documentation required for maintenance of the entire system including trouble shooting, diagnostics and adjusting. All diagnostic tools and equipment required for adjusting and troubleshooting shall be an integral / "on-board" feature of the microprocessor controller, and shall not require recharging, reprogramming or be of the automatic destruct type.
- Maintenance Materials: The elevator service contractor shall provide a metal cabinet in the machine room containing a reasonable supply of expendable parts required for prompt replacement. Replenish parts used for routine maintenance to ensure an adequate supply is available. Cabinet and all contents shall become property of SCCD and shall not be removed upon expiration of maintenance period.

Approved Manufacturers:

o Elevator Manufacturers

- ThyssenKrupp Elevator Corp.
- Schindler Elevator Co.
- Otis Elevator Co.

o Microprocessor Controllers

- MotionControl Engineering
- Or equivalent nonproprietary

o Cab and Entrance Manufacturers

- Elevator manufacturer
- Tyler Elevator Products
- H & B Elevators
- Sterling Corporation
- Swiss Dane

Substitutes Allowed:

Yes, if performance and quality equivalency can be evidenced.

Associated Design Standards and Construction Specifications

Design Standard on Building, Floor, Room, Stair, Elevator, Equipment and Outlets Designation.
Design Standard on Electronic Safety and Security.

End of Document

DESIGN STANDARD for Emergency Response Related

Purpose:

The purpose of this design standard is to help ensure that emergency response vehicles and personnel have quick, clear, and easy access to all areas of any District campus in the event of an emergency.

SCCD is committed to working with local agencies to insure that safety standards and access for emergency vehicles and other devices as discussed in the District's "PACEP" Safety Committee will meet best practices of the industry.

Design Standard:

Fire department service areas

Fairfield Campus is served primarily by the Cordilia Fire Department.

Vacaville Campus is served primarily by City of Vacaville Fire Department.

Vallejo Campus is served primarily by City of Vallejo Fire Department.

General Site Access

- It is important that emergency vehicles have driving access close to all campus buildings, central campus areas and exterior plaza areas; a good goal is to provide EVA access to within 150 feet of all exterior portions of each building.
- Provide a minimum 20-foot width on all Emergency Vehicle Access (EVA) lanes, to allow adequate space for two emergency vehicles to pass each other going in opposite directions. Where this cannot be provided for the entire length of the EVA lanes (due to existing structural or landscape feature), a passing lane or other accommodation will be reviewed by SCCD and the appropriate emergency response agencies.
- The EVA lanes must have a minimum 13" canopy clearance for emergency response vehicles.
- Paving for EVA lanes must be capable of supporting fire trucks (60,000 pound minimum loading requirement, subject to review and acceptance by the respective emergency response agencies).
- Ideally EVA lanes should be "looped" to allow alternate means to access central and critical areas of the campus. Where this cannot be provided, hammer-head turnarounds will be required (subject to the acceptance of the respective emergency response agencies).
- Fire trucks require a 52' outside diameter turning circle, if this is not feasible, confirm with the fire department if they will accept a 3-point turning configuration.

Knox Boxes and Padlocks

- The fire department prefers that Knox boxes are placed throughout the campus, for easy and multiple key set access.
- SCCD has standardized on Knox-Box 3200 Series for fire department key storage.

- Install recessed Knox boxes at each major entrance in new construction.
- Install recessed Knox boxes at each major entrance in renovation projects, if feasible; otherwise install surface-mounted units.
- Install Knox padlocks on gates; these can be daisy-chained with standard padlocks for college use.

Fire Sprinklers

- See [Design Standard for Basic Fire Protection System Design](#).
- All new construction shall be fully sprinklered.
- Major renovation of an existing building should include retrofit sprinklering of the building.
- Minor renovation of an existing building should include standpipes installed outside the buildings so that fire fighters have a water source for their hoses.

Standpipes

- Install standpipes in stairwells in new construction. The local fire departments prefer that the standpipes are at the main floors, not at intermediate landings. Include the ground/first floor landing, even if not required by code.

Fire Alarm Systems

- See [Design Standard for Fire Alarm Systems](#).

Approved Manufacturers:

Knox-Box 3200 Series
Others per referenced Design Standards.

Substitutes Allowed:

Knox-Box substitution to be approved by Director of Facilities.
Others per referenced Design Standards.

Associated Design Standards and Construction Specifications

Design Standard for Basic Fire Protection System Design.
Design Standard for Fire Alarm Systems.

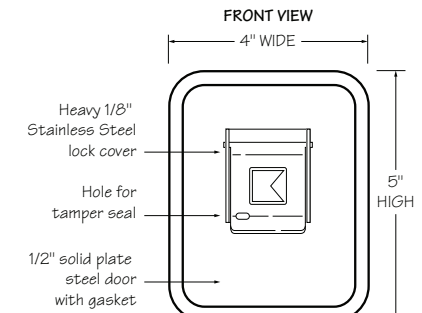
End of Document

Cutsheet Attachments:
Knox-Box 3200 Series

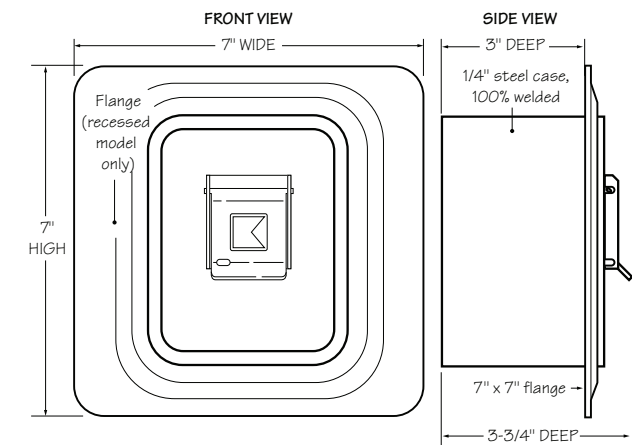


Knox-Box® 3200 Series LIFT-OFF DOOR MODEL

High Security Industrial/Government Key Box



3200 Surface Mount



3200 Recessed Mount

The number one high-security KNOX-BOX® is used for most commercial applications including businesses, schools, government and public buildings, community associations and apartment complexes. The 3200 Series KNOX-BOX with lift-off door holds keys, access cards and other small items necessary for emergency access.

Features and Benefits

- Holds up to 10 keys and access cards in interior compartment
- Ensures high security. Box and lock are UL® Listed
- Includes a Knox-Coat® proprietary finishing process that protects Knox products up to four times better than standard powder coat
- Resists moist conditions with a weather resistant door gasket
- Colors: Black, Dark Bronze or Aluminum
Weight: Surface mount - 8 lbs.
Recessed mount - 9 lbs.

Options

- Alarm tamper switches (UL Listed)
- Recessed Mounting Kit (RMK) for recessed models only
- Inside switch for use on electrical doors, gates and other electrical equipment

Ordering Specifications

To insure procurement and delivery of the 3200 Series KNOX-BOX, it is suggested that the following specification paragraph be used:

KNOX-BOX surface/recessed mount with lift-off door, with/without UL Listed tamper switches. 1/4" plate steel housing, 1/2" thick steel door with interior gasket seal. Box and lock UL Listed. Lock has 1/8" thick stainless steel dust cover with tamper seal mounting capability.

Exterior Dimensions: Surface mount body - 5"H x 4"W x 3-3/4"D
Recessed mount flange- 7"H x 7"W

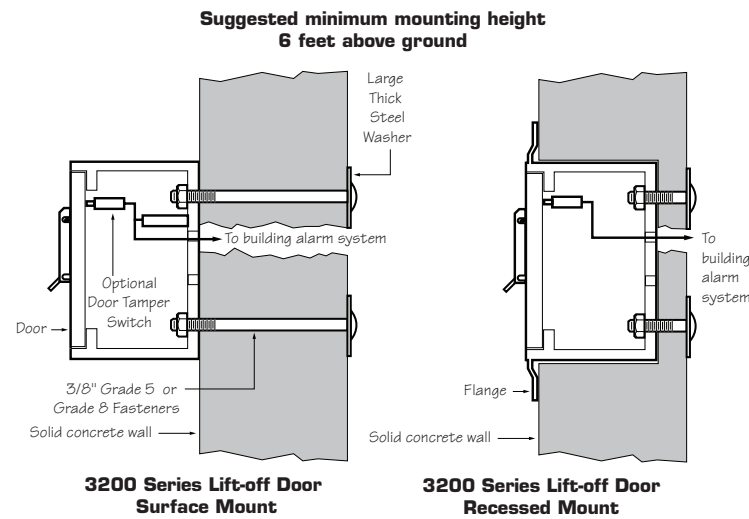
Lock: UL Listed. Double-action rotating tumblers and hardened steel pins accessed by a biased cut key.

Finish: Knox-Coat® proprietary finishing process

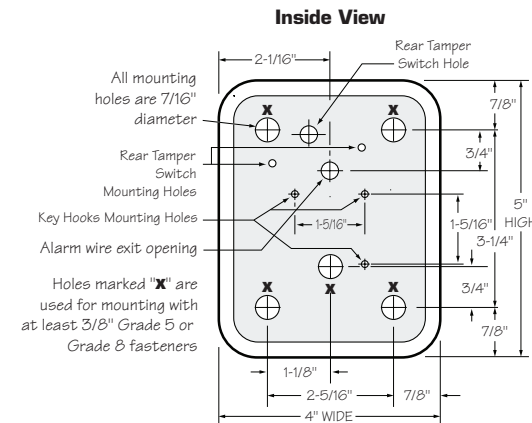
Colors: Black, Dark Bronze or Aluminum

P/N: 3200 Series KNOX-BOX (mfr's cat. ID)

Mfr's Name: **KNOX COMPANY**



3200 Series Lift-off Door Surface Mount **3200 Series Lift-off Door Recessed Mount**



Attention: KNOX-BOX® is a very strong device that MUST be mounted properly to ensure maximum security and resist physical attack.

Knox® Rapid Entry System
The Knox Company manufactures a complete line of high security products including Knox-Box key boxes, key vaults, cabinets, key switches, padlocks, locking FDC caps, plugs and electronic master key security systems. For more information or technical assistance, please call Customer Service at 1-800-552-5669.

Recessed Mounting Kit

The 3200 Recessed Mounting Kit (RMK) is used for recessed models only. It contains a shell housing and mounting hardware to be cast-in-place in new concrete or masonry construction. After construction is completed, the KNOX-BOX mounts inside the recessed shell housing. The RMK may only be used in new concrete or masonry construction.

Installation In Cast Concrete

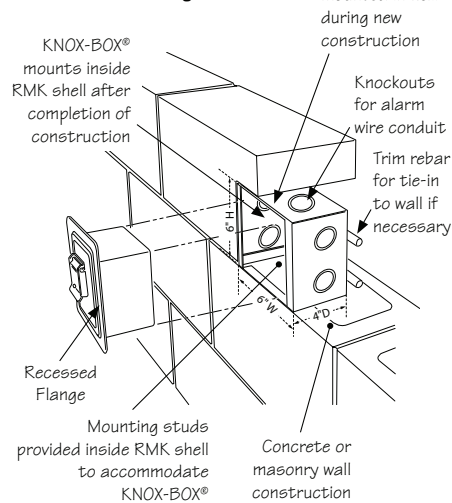
The optional Recessed Mounting Kit is for use in new concrete or masonry construction only. The kit includes a shell housing and mounting hardware to be cast-in-place. The KNOX-BOX is mounted into the shell housing after construction is completed.

Dimensions

Rough-in Dimensions: 6-1/2"H x 6-1/2"W x 5"D

IMPORTANT: Care should be taken to insure that the front of the RMK shell housing, including the cover plate and screw heads, is flush with the finish wall. The RMK must be plumbed to insure vertical alignment of the vault.

Recessed Mounting Using Recessed Mounting Kit (RMK)



DESIGN STANDARD for Exterior Paint

Purpose:

This design standard has the purpose of creating a consistent application of painting requirements throughout the Solano Community College District. The intent is to create a standard of quality for maintenance and reliability throughout all renovation and new building projects.

Note: these Design Standards are a tool to clarify direction and streamline project execution for design professionals, construction managers and other participants in capital improvement projects. They represent the District's "strong preference" and should be applied, when possible, without compromising the creativity of the overall design. Final disposition, color, size, product choice etc. should conform to the best extent possible where equivalent substitutes are allowed in the Design Standard. If equivalent substitutes are allowed only "if performance and quality equivalency can be evidenced" or the consultant wishes to deviate from the written design standards for other reasons, then the consultant needs to provide evidence/justification and seek District approval as outlined in the [Open this Document First: Standards Process.pdf](#). In all cases the written design standards do not diminish or eliminate the standard of care owed by the consultant to SCCD or relieve, in any manner whatsoever, a consultant from any professional responsibility, duty or due diligence required toward that work.

Design Standard:

1. Exterior Paint

- SCCD has standardized on latex (water based) paints for the outdoor environment for the following reasons:
 - Water-based paints are the safest option for the people who handle them and the environment.
 - Latex paints have a less objectionable odor, which makes them good for repaints and painting in occupied areas, where solvent odor is an issue.
 - They clean up with soap and water; there's no need to work with hazardous and/or flammable solvents, and no used solvent to dispose of afterwards.
 - Latex paints dry faster, and can be recoated sooner; this makes them a good choice for painting in occupied areas, where someone might touch or brush up against the freshly painted surface.
 - Latex paint binders hold up better in sun-exposed areas, because they're more resistant to UV (ultraviolet) radiation.
 - Latex paint films are less prone to yellowing over time, especially with white, light off-white and pastel colors.
 - Latex paint films are more breathable; they allow small amounts of water vapor to pass through the film, so the chance of blistering is reduced. This is especially important when the surface being painted is slightly damp.

- Latex paint films have better gloss and color retention, so they'll keep a 'like-new' appearance longer.

2. Exterior Color Palette

- Each of the campuses has an exterior color palette that creates continuity across the District sites but also addresses each campus' uniqueness. See **Attachments** for Campus Color Palettes. Note Trespa Panel Colors have been used as a basis for some of the colors provided because in some instances buildings may introduce colors through building panel materials in lieu of paint, and there is a desire to match the quality of color saturation provided by these panels should they be introduced via painting.
 - All Campuses Field Colors:
 - Color similar to Kelly Moore Apple White, KM_OW206-1
 - Color similar to Sherwin Williams Elder White, SW 714
 - Color similar to Trespa Stonebeige, A0511
 - All Campuses Exterior Columns:
 - Exposed Concrete, Sandblasted, Smooth Finish **or**
 - Color similar to Sherwin Williams Extra White, SW 7006
 - Accent Colors for Fairfield and Vacaville: the intent is for buildings to opt for only one to two accent colors out of these pair of choices:
 - Color similar to Trespa Pacific Board, NW04 or Trespa Sienna Brown, A10.4.5
 - Color similar to the range provided by Trespa Dark Mahogany, NW19
 - Color similar to Trespa Ocean Grey, A22.3.1 or Trespa Powder Blue, A22.2.4
 - Color similar to Trespa Sun Yellow, A05.1.4 or Trespa Gold Yellow, A04.1.7
 - Color similar to Trespa Spring Green, A37.2.3 or Trespa Forest Green, A34.8.1
 - Accent Colors for Vallejo: the intent is for buildings to opt for only one to two accent colors out of these pair of choices:
 - Color similar to Trespa Pacific Board, NW04 or Trespa Sienna Brown, A10.4.5
 - Color similar to the range provided by Trespa Dark Mahogany, NW19
 - Color similar to Trespa Ocean Grey, A22.3.1 or Trespa Steel Blue, A24.4.1
 - Non-Public/Utility Buildings on any campus have the option of being painted to match Trespa Mid Beige A08.2.1.
 - Exterior Mullions for Fairfield: *Kawneer Finish No. 40 Dark Bronze Anodized Aluminum*, Aluminum Association Specification # AA-M10C22A44. See **Design Standard on Doors and Door Frames**.
 - Exterior Glazing for Fairfield: to match *Viracon VE1-2M*, see **Design Standard on Glazing** for exceptions.
 - Exterior Mullions for Vallejo and Vacaville Centers: *Kawneer Finish No. 14 Clear Anodized Aluminum*, Aluminum Association Specification # AA-M10C22A41. See **Design Standard on Doors and Door Frames**.
 - Exterior Glazing for Vallejo and Vacaville Centers: to match *PPG Industries, Inc. Solargray with Solarban 60*, see **Design Standard on Glazing** for exceptions.

Approved Manufacturers:

Latex Paint: Sherwin Williams.

Substitutes Allowed:

No substitutions allowed.

Associated Design Standards and Construction Specifications:

Design Standard for Interior Paint

End of Document

Attachments:

Fairfield Exterior Color Palette, Vacaville Exterior Color Palette, Vallejo Exterior Color Palette

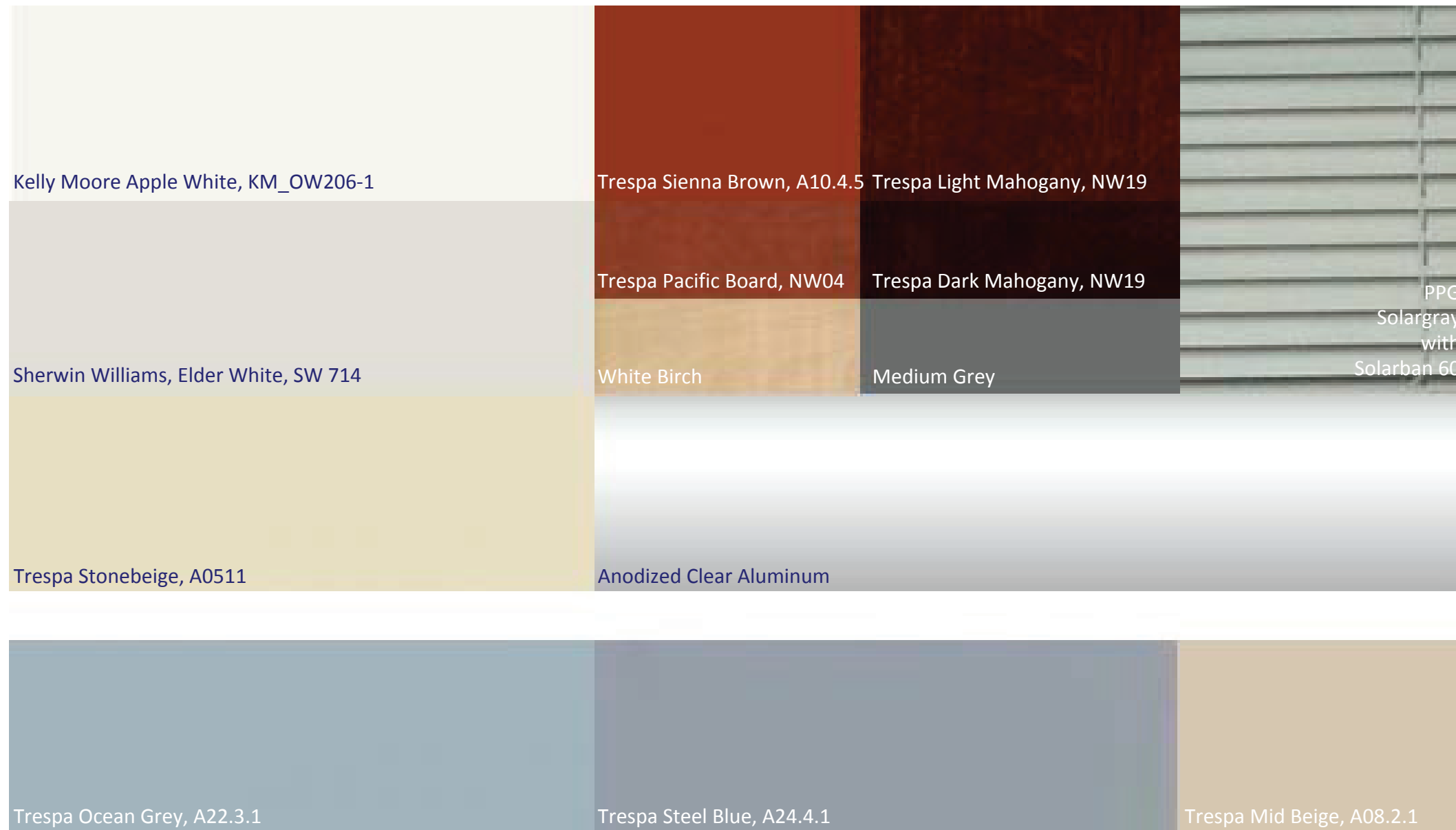
Fairfield Exterior Color Palette:



Vacaville Exterior Color Palette:



Vallejo Exterior Color Palette:



DESIGN STANDARD for Flagpoles

Purpose:

The purpose of this design standard is to ensure consistency in the provision of flagpoles at each campus, which are functionally appropriate to each college's environment.

Design Standard:

- Flagpoles shall be aluminum, unpainted.
- Flagpole heights shall be appropriate to the site, generally 30'.
- Flagpoles shall have a round gold finial at the top.
- Flagpoles shall have light fixtures at the base, for nighttime illumination. This ensures that the flags can be displayed at night, negating the need for staff to raise and lower the flags on a daily basis.
- Flags shall be weatherproof material, appropriate for 24/7/365 exposure.
- Comply with rules for use and display of the flag (36 United States Code 173-178)

Substitutes Allowed:

Not applicable.

Associated Design Standards and Construction Specifications

Not applicable.

End of Document

DESIGN STANDARD for Flooring

Purpose:

The purpose of this Standard is to standardize the Flooring for District sites based on the following criteria:

- Durability
- Ease of Maintenance
- Aesthetics
- Sustainability: products that reduce water and energy consumption, are sustainably produced, and assist with quality of indoor air.
- Acoustics
- Cost (initial and total cost)

Note: these Design Standards are a tool to clarify direction and streamline project execution for design professionals, construction managers and other participants in capital improvement projects. They represent the District's "strong preference" and should be applied, when possible, without compromising the creativity of the overall design. Final disposition, color, size, product choice etc. should conform to the best extent possible where equivalent substitutes are allowed in the Design Standard. If equivalent substitutes are allowed only "if performance and quality equivalency can be evidenced" or the consultant wishes to deviate from the written design standards for other reasons, then the consultant needs to provide evidence/justification and seek District approval as outlined in the [Open this Document First: Standards Process.pdf](#). In all cases the written design standards do not diminish or eliminate the standard of care owed by the consultant to SCCD or relieve, in any manner whatsoever, a consultant from any professional responsibility, duty or due diligence required toward that work.

Design Standard:

1. Flooring Recommendations by Room Type:

See Table on the next page.

Flooring Recommendations by Room Type:

Room Use	1 st Choice	2 nd Choice	3 rd Choice
Lobby/Entries	Stained Concrete with transparent sealer appropriate for use	Carpet with built-in Walk-Off Mat	
Door Entrance Area	Built-in Walk-Off Mat Do not specify Aluminum Grate Walkway		
Public Hallways/Corridors	Stained concrete with transparent sealer appropriate for use	Carpet	Linoleum
Classrooms	Carpet	Linoleum	Stained Concrete with transparent sealer appropriate for use
Laboratories/ Kitchen Areas	Stained Concrete sealed with transparent sealer specific to Laboratory use. No exception except where required by code.		
Offices and Office Areas	Carpet		
Restrooms	Ceramic Tile		
Study Areas, Lounges etc.	Carpet with linoleum at areas with sinks		
Service Areas and Service Hallways	Concrete with transparent sealer specific to use. No exceptions except where required by code	Vinyl Sheet Flooring with welded seams and integral coves where chemicals are a concern	
Custodial Spaces	Concrete with transparent sealer specific to maintenance use. No exceptions.	Concrete with transparent sealer specific to maintenance use	

2. Flooring Specifics:

- A. Concrete with Transparent Sealer appropriate for specific use, Stained in Public Areas:
One sustainable approach to buildings is to use less building materials. In rooms and hallway/corridors where acoustics are less of a concern (or handled by other finish materials) the concrete used in the floor slab can be utilized as the floor finish, as long as it is sealed with a sealer appropriate for the room/space use. In public areas, the concrete should be stained to provide visual interest.
- With new buildings, design professionals should review concrete specification to ensure best staining results and review concrete joint locations to enhance the visual appearance of the floor.
 - Sealers should address appropriate use (for example expected chemicals, moisture, cleanability performance) as well as code requirements for anti-slip etc.
 - Example sealers are sealers from Rustoleum.
 - Locations: see Table under item #1.

B. Linoleum Flooring:

Sheet Linoleum is an extremely durable product made of natural materials that are naturally anti-bacterial and biodegradable, yet very resistant to water, easy to clean, relatively low maintenance, aesthetically pleasing, and cost effective. Since it is easy to cut, it can be combined into different colors and patterns.

- The product does require experienced installers, and specifications should list criteria for ensuring adequate experience.
- Heat-Welded Seams.
- Specify Low Maintenance Coating (such as Armstrong NATURCote UV-cured coating).
- Product: Armstrong Commercial Flooring Linoleum.
- Locations: see Table under item #1.

C. Vinyl Sheet Flooring:

In certain laboratory classrooms, kitchen areas and service areas it might be necessary to specify vinyl sheet flooring with heat-welded seams and integral cove base due to the chemicals or activities in the room that require specialized clean up/containment. Vinyl Sheet Flooring is not a sustainable/green product and should not be used for any other application.

- Material: heavy-duty resilient sheet flooring.
- Thickness: 0.10"
- Locations: only at laboratories and service areas that warrant this flooring.
- Products: Armstrong Sheet Vinyl or Altro High Performance Safety Flooring.

D. Carpet:

SCCD selected the Tarkett Company, Tandus Carpets at the District Standard because of the ease of installation (and replacement by maintenance personnel), its environmental benefits (including cradle to grave, high recycled content, virtually zero VOCs), elegant aesthetics, use of no wet adhesives (avoids offgasses), static control and its affordability. Products are available both as rolled and modular tile, and logos can be cut into the carpet.

- Rolled Goods: 6' or 12' wide. Not preferred; avoid if possible.
- Modular Goods: 24" x 24".
- Backing: Flex-Aire Cushion Modular
- Product: Tandus Carpets.
- Style: Choose from most popular styles (to ensure manufacturer continuity with providing that particular style), such as Aftermath II, Longitude, Monumento and Ratio.
- Non-directional pattern preferred.

E. **Rubber Base:**

Rubber is the preferred (sustainable) base material, that is also durable:

- 4" Topset rubber cove base.
- Long rolls to minimize seams.
- Minimize joints
- No joints in corners.
- Score corners.
- No pieces less than 24"
- Use full length sections around columns and appurtenances.
- Roll out base during installation.
- Product: BurkeMercer, Type TS.

F. **Ceramic Tile:**

As described in the **Design Standard for Restrooms:**

- Provide ceramic mosaic tile in minimum 6" x 6" size for restrooms.
- Provide ceramic tile in colors that camouflage dirt and stains.
- Number of colors not to exceed 5 different colors for restrooms, 1 for custodial.
- Provide a 12-inch wide darker color border on floor, in a color that has a matching cove tile base at restrooms only.
- Pattern within border can be random (makes for easier replacement), at restrooms only.
- Select grout color to minimize appearance of stains.
- Provide same colored grout for both floors and walls, this will allow installer to complete installation in a single installation, thereby reducing cost to District.
- Products: Dal Tile or American Olean.

3. Flooring Colors:

- Design Teams should provide District with at least (2) choices for Color Palettes that encompass all finish materials, including flooring finishes. District may opt to adopt a particular palette as a District Standard for that campus in the future.

Approved Manufacturers:

Per above.

Substitutes Allowed:

Yes, if performance and quality equivalency can be evidenced.

Associated Design Standards and Construction Specifications

Design Standard for Restrooms
Design Standard for Custodial Spaces

DESIGN STANDARD for Glazing

Purpose:

The purpose of this Standard is to standardize the glazing on each District Site for the architectural cohesiveness of each campus, while ensuring that the visibility requirements, the energy performance requirements and the quality criteria are met.

The desire is to move away from the existing dark glazing on the Fairfield campus to a more visible glazing that allows inside activities to be showcased. A glazing with a "greenish" look is the *preferred* color due to its compatibility with the rest of the Fairfield exterior color palette for Fairfield (see Design Guidelines). For the Vallejo and Vacaville sites, the *preference* is to replicate the existing "greyish" look that already exists at the recently built Centers. District understands that glazing choices are affected by many considerations, including energy performance for the project, which is why deviations from the preferred colors will be considered on a project basis.

Note: these Design Standards are a tool to clarify direction and streamline project execution for design professionals, construction managers and other participants in capital improvement projects. They represent the District's "strong preference" and should be applied, when possible, without compromising the creativity of the overall design. Final disposition, color, size, product choice etc. should conform to the best extent possible where equivalent substitutes are allowed in the Design Standard. If equivalent substitutes are allowed only "if performance and quality equivalency can be evidenced" or the consultant wishes to deviate from the written design standards for other reasons, then the consultant needs to provide evidence/justification and seek District approval as outlined in the *Open this Document First: Standards Process.pdf*. In all cases the written design standards do not diminish or eliminate the standard of care owed by the consultant to SCCD or relieve, in any manner whatsoever, a consultant from any professional responsibility, duty or due diligence required toward that work.

Design Standard:

1. Exterior Fairfield Campus:

- Tinted Low-E Glass Units: ASTM E774, Class A; double pane with dual silicone sealed edge; 1 inch overall thickness.
- Properties:
 - Visible Light Transmittance: 70 percent
 - Shading Coefficient: 0.44
 - Solar Heat Gain Coefficient: 0.38
 - U-Value: 0.29 Winter/0.26 Summer
 - Preferred Glass Color: per *Viracon VE1-2M*
- Product: *Viracon VE1-2M*.
- Silkscreens: permitted, review with District's Project Manager.

2. Exterior Vacaville and Vallejo Campus:

- Tinted Low-E Glass Units: ASTM E774, Class A; double pane with dual silicone sealed edge; 1 inch overall thickness.
- Properties:
 - Visible Light Transmittance: 35 percent
 - Shading Coefficient: 0.32
 - Solar Heat Gain Coefficient: 0.28
 - U-Value: 0.29 Winter/0.27 Summer
 - Preferred Glass Color: per *PPG Industries, Inc. Solargray with Solarban 60*
 - Silkscreens: permitted, review with District's Project Manager.
- Product: *PPG Industries, Inc. Solargray with Solarban 60*.
- Silkscreens: permitted, review with District's Project Manager.

3. Interior Glazing (All Sites):

- Clear, 1/4" tempered glazing, unless otherwise required by Fire-rated or Code conditions.
- Silkscreens: permitted and encouraged for interior conditions where some privacy is required, review selection with District's Project Manager.

Approved Manufacturers:

Per above.

Substitutes Allowed:

For Exterior Glazing: glazing color deviations will be considered on a project by project basis, regardless glazing must perform to these minimum requirements: visible transmittance is no lower than 35%, and energy performance criteria satisfies energy targets for particular project.

Associated Design Standards and Construction Specifications

Design Standard for Doors and Door Frames.

End of Document

DESIGN STANDARD for Interior Paint

Purpose:

The purpose of this design standard is to create a standard for the quality, maintenance, reliability, and indoor air quality of Interior Paint throughout all renovation and new building projects.

The District is limiting the number of paint colors within buildings for both sustainability reasons and maintenance reasons. For regular maintenance, Districts require extra paint to perform touch ups etc. and having numerous paint colors means that multiple cans of extra paint have to be stored, correctly identified and used. If the District is out of that particular color, and the paint is no longer available from the manufacturer, that paint color has to be matched. All of these tasks require extra maintenance hours that having one or two colors of paint would not require. Unfortunately, paint also has a limited shelf life (typically only 3 years in the right conditions), and countless numbers of unused extra paint cans get disposed each year by institutions as large as SCCD. This is not environmentally sound. Limiting the District paint colors to one classic color that is less likely to be discontinued by the manufacturer means that less paint has to be stored and fewer maintenance hours are needed. Color richness in buildings should be achieved through other materials such as flooring, wall coverings/wall paneling, ceilings, furniture etc. However, should cost prohibit the use of materials that can provide color interest, the District will permit the limited use of feature painted walls in certain instances to create visual interest within a room or space.

Note: these Design Standards are a tool to clarify direction and streamline project execution for design professionals, construction managers and other participants in capital improvement projects. They represent the District's "strong preference" and should be applied, when possible, without compromising the creativity of the overall design. Final disposition, color, size, product choice etc. should conform to the best extent possible where equivalent substitutes are allowed in the Design Standard. If equivalent substitutes are allowed only "if performance and quality equivalency can be evidenced" or the consultant wishes to deviate from the written design standards for other reasons, then the consultant needs to provide evidence/justification and seek District approval as outlined in the [Open this Document First: Standards Process.pdf](#). In all cases the written design standards do not diminish or eliminate the standard of care owed by the consultant to SCCD or relieve, in any manner whatsoever, a consultant from any professional responsibility, duty or due diligence required toward that work.

Design Standard:

1. Typical Interior Paint

- SCCD has standardized on latex (water based) paints for the indoor environment for the following reasons:

- Water-based paints are the safest option for the people who handle them and the environment (Zero to Low VOC).
- Latex paints have a less objectionable odor, which makes them good for repaints and painting in occupied areas, where solvent odor is an issue.
- They clean up with soap and water; there's no need to work with hazardous and/or flammable solvents, and no used solvent to dispose of afterwards.
- Latex paints dry faster, and can be recoated sooner; this makes them a good choice for painting in occupied areas, where someone might touch or brush up against the freshly painted surface.
- Latex paint binders hold up better in sun-exposed areas, because they're more resistant to UV (ultraviolet) radiation.
- Latex paint films are less prone to yellowing over time, especially with white, light off-white and pastel colors.
- Latex paint films are more breathable; they allow small amounts of water vapor to pass through the film, so the chance of blistering is reduced. This is especially important when the surface being painted is slightly damp.
- Latex paint films have better gloss and color retention, so they'll keep a 'like-new' appearance longer.
- Latex paint films are more elastic, so they can expand and contract with the substrate better; this means they'll be less likely to crack and peel over time.
- SCCD has standardized on one color: Sherwin Williams, Navajo White, Zero VOC.

2. Whiteboard Paint for Teaching Walls

- In lieu of providing pre-made whiteboards, SCCD has standardized on providing teaching walls painted with high-performance dry erase formula paint per the following:
 - Product: IdeaPaint Pro or demonstrated equivalent.
 - Field applied, durable dry erase coating.
 - LEED compliant (Low VOC).
 - Color: White.
 - Substrate: Gypsum Board Level 5 finish.
 - Application: HVLP Spray application per professional installer, final finish to be smooth and free of texture.
 - Warranty: 10 years.
 - Location: one wall in room (certain room types may require more than one), from base to ceiling level.
 - Special Considerations: do not locate any wall-mounted items such as strobes, fire alarm pull stations, phones on this wall, unless they have been specifically approved by end users. Outlets should be located no higher than 18" above finish floor, unless approved by end users.
 - Manufacturer Qualifications: minimum of 3 years manufacturing dry-erase coatings.

Approved Manufacturers:

Latex Paint: Sherwin Williams.

Whiteboard Paint: IdeaPaint.

Substitutes Allowed:

No substitutions allowed.

Associated Design Standards and Construction Specifications:

Design Standard for Exterior Paint

End of Document

DESIGN STANDARD for Restrooms

Purpose:

Restrooms should be consistent throughout Solano Community College District (SCCD) to provide aesthetically pleasing, clean, well lit restrooms with durable fixtures, fittings and finishes that are cost effective to maintain.

- Products should be selected based on the following criteria:
- Durability
- Ease of Maintenance (including availability of parts)
- Ease of Operation
- Anti Graffiti Properties
- Aesthetics
- Sustainability: products that reduce water and energy consumption, are sustainably produced, and assist with quality of indoor air.

Note: these Design Standards are a tool to clarify direction and streamline project execution for design professionals, construction managers and other participants in capital improvement projects. They represent the District's "strong preference" and should be applied, when possible, without compromising the creativity of the overall design. Final disposition, color, size, product choice etc. should conform to the best extent possible where equivalent substitutes are allowed in the Design Standard. If equivalent substitutes are allowed only "if performance and quality equivalency can be evidenced" or the consultant wishes to deviate from the written design standards for other reasons, then the consultant needs to provide evidence/justification and seek District approval as outlined in the [Open this Document First: Standards Process.pdf](#). In all cases the written design standards do not diminish or eliminate the standard of care owed by the consultant to SCCD or relieve, in any manner whatsoever, a consultant from any professional responsibility, duty or due diligence required toward that work.

Design Standard:

A. Entries and Signage:

- 1) Entries to restrooms should be well-signed and easily located.
 - a) If the entry is hidden in an alcove, provide a double-sided flag-type sign (one perpendicular to the wall plane) that clearly marks the restroom location in the hallway leading to the alcove.
 - b) Unless approved by Director of Facilities, restrooms must have entry doors.

- c) Per the discretion of the Director of Facilities, high-use restrooms in new buildings may consider door-less restrooms with privacy wall entries. This will facilitate entry/exit traffic into these high-use restrooms. Note: door-less restrooms must provide more stringent negative air pressurization to eliminate odor pollution in adjacent areas.
- d) Regardless of whether it has a door or not, each restroom should be numbered and clearly signed, so that the room can be easily found and matched with the SCCD space inventory. See [Design Standard on Building, Floor, Room, Stair, Elevator, Equipment and Outlets Designation](#).

B. Door Related:

- 1) Comply with [Design Standard for Door Hardware](#) and provide:
 - a) Public multi-stall restrooms remain unlocked except when locked by maintenance/security personnel.
 - b) Public single stall restrooms remain unlocked except when locked by maintenance/security personnel.
 - c) Staff single stall restrooms remain locked at all times and indicate clearly when the room is occupied.
 - d) All restroom entry doors require a kick plate to protect door from custodial carts.
- 2) Provide Wood door per [Design Standard for Doors and Door Frames](#).
- 3) Provide Hollow Metal door frames per [Design Standard for Doors and Door Frames](#).
- 4) Provide Door Thresholds as follows:
 - a) Provide a light-colored marble threshold, size to match width of door jamb, to transition between restroom ceramic tile and hallway finish. Height of threshold should comply with CBC Code requirements for Accessibility.
 - b) Provide Schluter™ Schiene or Schluter™ Deco transition piece to separate finishes between restroom and adjacent hallway at cased opening/jamb.

C. Restroom Finishes

- 1) These standards apply to New Buildings and Major Renovations. When renovating restrooms that are more than 20 years old, gut and replace everything down to the original wall studs. For restrooms that have been built or remodeled in the last 20 years, replace those items that are feasible and cost effective to match these standards.
- 2) The SCCD standard for [Restroom Floors](#) is as follows:
 - a) Provide ceramic mosaic tile in minimum 6" x 6" size.
 - b) Provide ceramic tile in colors that camouflage dirt and stains.
 - c) Number of colors not to exceed 5 different colors.
 - d) Provide a 12-inch wide darker color border on floor, in a color that has a matching cove tile base.
 - e) Pattern within border can be random (makes for easier replacement).
 - f) Select grout color to minimize appearance of stains.

- g) Provide same colored grout for both floors and walls, this will allow installer to complete installation in a single installation, thereby reducing cost to District.
- 3) The SCCD standard for **Restroom Walls** is as follows:
- Provide ceramic tile to start above built-up cove tile base (6" tall in total) to approximately 6 inches below the ceiling. Exact height should be determined by full tile heights. Providing this gap at ceiling avoids the cost of scribing the wall tile to an imperfect ceiling line.
 - Provide ceramic tile in a 6" x 6" size, semi-gloss finish.
 - Provide one predominant light colored tile for majority of wall.
 - Provide bull-nose version of this tile for the top row.
 - Provide a wall tile accent band in one of the floor tile colors at a visually appealing height (about two-thirds of total wall tile height measured from the floor).
 - District currently applies 286 wipe epoxy graffiti sealant on wall tile. In the event that tile companies start to provide built-in anti-graffiti coatings on their tile products, design teams should bring these tile products to District Facilities attention for evaluation.
 - Use same grout color as floor grout (see above).
- 4) The SCCD standard for **Restroom Ceilings and 6" Band at Top of Wall** is as follows:
- Provide gypsum board painted District Standard White Color in semi-gloss finish. Refer to **Design Standard for Interior Paint**.

D. Toilet Compartments and Urinal Screens

- Basis of Design: Bobrick Washroom Equipment, Inc; Sierra Series Toilet Partitions and Urinal Privacy Screens, gap-free and vandal resistant. Color: **SC02 Desert Beige**. District chooses this manufacturer because it meets the District criteria for performance, sustainability and maintenance. District preference for one color is to enhance the ability to quickly repair/replace these as needed by stocking components from this one manufacturer in one color.
- Toilet Compartments should perform to the following criteria:
 - Material: all Stiles, Panels, Doors and Screens shall be Solid Color Reinforced Composite material and edges of material shall be the same color as the surface. Toilet partitions constructed of High Density Polyethylene (HDPE) or High Density Polypropylene will not be acceptable.
 - Design: interlocking design with no sight lines between Doors and Stiles.
 - Material shall have a non-ghosting, graffiti-resistant surface integrally bonded to core through a series of manufacturing steps requiring thermal and mechanical pressure.
 - Stiles and doors shall be 3/4" (19 mm); Panels shall be 1/2" (13mm).
 - Graffiti Resistance (ASTM D 6578): Passed cleanability test; 5 staining agents.
 - Scratch Resistance (ASTM D 2197): Maximum load value exceeds 10 kilograms.
 - Impact Resistance (ASTM D 2794): Maximum impact force exceeds 30 inch-pounds.
 - Smoke Developed Index (ASTM E 84): Less than 450.
 - Flame Spread Index (ASTM E 84): Less than 75.

- j) Sustainability Contribution: partition material shall contribute to the following sustainability goals (per USGBC's LEED credits):
- Materials and Resource Credits MR5.1 and MR5.2 – Regional Materials; submit manufacturer's calculation of value of recycled content for specified products, calculated in accordance with USGBC LEED certification requirements.
 - Materials and Resource Credit MR7- Certified Wood; submit manufacturers certification that a minimum of 50% of wood based materials are certified in accordance with Forest Stewardship Council (FSC) Guidelines.
 - Indoor Environmental Quality Credit IEQ 4 - No Added Urea Formaldehyde; submit manufacturer's certification that composite and agrifiber products contain no added urea-formaldehyde resins and that laminating used to fabricate on-site and shop-applied composite wood and agrifiber contain no added urea-formaldehyde resins.
- k) Hardware:
- Compliance: Operable with one hand, without tight grasping, pinching, or twisting of the wrist, and force to operate does not exceed five pounds.
 - Emergency Access: Hinges, latch allow door to be lifted over keeper from outside compartment on in-swing doors.
 - Materials: 18-8, Type 304, heavy-gauge stainless steel with satin finish. Chrome-plated "Zamak", aluminum, or extruded plastic hardware not acceptable.
 - Fastening: Hardware secured to door and stile by through-bolted, theft-resistant, pin-in-head Torx stainless steel machine screws into factory-installed, threaded brass inserts. Fasteners secured directly into core not acceptable.
 - Threaded Brass Inserts: Factory-installed; withstand direct pull force exceeding 1500 lb (680 kg) per insert.
 - Hardware Type: Institutional Hardware (.67).
 - Latching: 14 gauge (2 mm) sliding door latch, 11 gauge (3.2mm) keeper; latch slides on a shock-resistant nylon track. Twist-style door latch operation not acceptable.
 - Hinges: 16-gauge (1.6 mm) stainless steel, self-closing, 3 section hinges.
 - Product: Bobrick commercial grade, self-closing. No substitutions.
 - Mounting Brackets: 18 gauge (1.2mm) stainless steel and extend full height of panel.
 - U-Channels: Secure panels to stiles
 - Angle Brackets: Secure stiles-to-walls and panels-to-walls.
- l) Compartment Hooks: In each toilet compartment, furnish and install a Bobrick B212 Clothes Hook and Bumper at 38 to 40" AFF for a barrier-free installation. Utilize through-bolted, stainless steel, pin-in-head Torx sex bolt fasteners.
- m) Stiles: Floor-Anchored stiles furnished with expansion shields and threaded rods.
- Leveling Devices: 7 gauge, 3/16 inches (5 mm) thick, corrosion-resistant, chromate-treated, double zinc-plated steel angle leveling bar bolted to stile; furnished with 3/8 inch (10 mm) diameter threaded rods, hex nuts, lock washers, flat washers, spacer sleeves, expansion anchors, and shoe retainers.

- Stile Shoes: One-piece, 22 gauge (0.8 mm), 18-8, Type 304 stainless steel, 4 inch (102 mm) height; tops with 90 degree return to stile. One-piece shoe capable of adapting to 3/4 inch (19 mm) or 1 inch (25 mm) stile thickness and capable of being fastened (by clip) to stiles starting at wall line.
- n) Wall Posts: Pre-drilled for door hardware, 18-8, Type 304, 16 gauge (1.6 mm) stainless steel with satin finish; 1 inch (25 mm) x 1-1/2 inches (38 mm) x 58 inches high (1473 mm).
 - o) Anchors: Expansion shields and threaded rods at floor connections as applicable. Threaded rods secured to supports above ceiling as applicable. Supports above ceiling furnished and installed as Work of Section 055000.
 - p) Overhead Braced Headrail: shall be satin finish, extruded anodized aluminum headrails, 0.065 inch (1.65 mm) thick with anti-grip profile.
 - q) Warranty: furnish 10 year limited warranty for panels, doors, and stiles against breakage, corrosion, de-lamination, and defects in factory workmanship. Furnish 1 year guarantee against defects in material and workmanship for stainless steel door hardware and mounting brackets.

E. Lighting

- 1) Lighting should be designed to provide consistent and adequate lighting throughout the restroom.
- 2) Design lighting at and around the mirror to ensure that glare is minimized.
- 3) Provide appropriate placement and access of light fixtures for quick and easy maintenance removal or replacement of lamps and ballasts. Consider what is involved for someone to access a fixture to change a lamp or ballast.
 - a) Lighting should be placed on the ceiling in an open space, in the middle of the restroom to ensure quick and easy access to the fixture. Lighting should illuminate the stalls as well as the circulation area.
 - **Do not** place light fixtures over toilets or inside partitioned areas. Access is too difficult and time consuming for maintenance and lamp/ballast removal and replacement.
 - b) Select equipment that can be easily maintained by one person using only their hands.
 - **Do not** specify light fixtures that require tools to remove/replace the lenses and lamps.
 - c) Install motion sensors for restroom lighting control to save energy and provide flexibility for restroom use after hours.
 - Specify a style that will be able to “see” motion in as many areas of the room as possible, including to the extent possible the areas within the toilet partitions; this is likely to be a ceiling-mounted sensor (or 2) in multi-stall restrooms.
 - A wall switch/sensor combination may suffice in a single stall restroom.
 - Specify a time delay on the motion sensor of 30 minutes.

F. Plumbing Fixtures:

- 1) Comply with **Design Standard for Plumbing Fixtures** for plumbing fixtures, hose bibs and floor drains in each restroom. Note District is considering Waterless Urinals to reduce water consumption.

G. Plumbing Isolation Valves

- 1) Plumbing isolation valves shall be installed for each restroom, to be located in an access panel of no less than 8” x 8” clear for ease of access, and preferably inside the restroom itself.

H. Accessories

- 1) Mount Accessories to comply with accessibility requirements per most recent Building Codes. Where “ADA Compliant Height” is used in this Standard it refers to both the clearances around that item that are required, as well as the height of whatever *component* of that item that needs to be located per ADA code requirements.
- 2) Basis of Design: Bobrick Washroom Equipment, Inc.
 - a) Toilet Tissue and Seat Cover Dispensers/Napkin Disposals
 - i) Bobrick B-357 Classic Series for all multi-stall restrooms. This unit mounts centered through the toilet partition, can be used from both sides and is serviced from one side. Capacity: 0.8 gal. (3.0L). Holds 1000 toilet seat covers and four rolls of tissue, two for each compartment. It also features theft-resistant spindles.
 - ii) Bobrick B-3571 or 3574 as needed to achieve accessible clearances within stalls.
 - iii) In wall conditions where a recessed unit is not physically possible, specify Bobrick B-4288 ConturaSeries® surface-mounted multi-roll toilet tissue dispenser, Bobrick B-4221 ConturaSeries® surface-mounted seat-cover dispenser, and Bobrick B-270 ConturaSeries® surface-mounted sanitary napkin disposal.
 - b) Towel Dispensers and Waste Containers
 - i) Bobrick B-3944 : provide combination unit multi-fold towel dispenser/semi-recessed waste containers placed near the sinks and toward the door. Note waste can depth has to be 8” for anything less does not accommodate the waste produced.
 - In Multi-Stall Restrooms provide one B-3944 at ADA compliant height and one B-3944 at standard height.
 - In all other restrooms where only one B-3944 is required mount it at ADA compliant height.
 - ii) Restrooms should be designed to accommodate an additional free-standing waste cans area of four (4)-square feet near the door, inside the restroom. This waste cans area should not interfere with required clearances at or around the door.
 - iii) District is considering high velocity hand dryers in lieu of towel dispensers to lower paper waste, which will revise the product selection above.
 - c) Mirrors, Shelves and Hooks
 - i) Multi-Stall Restrooms:
 - Continuous mirror over restroom sinks area.
 - One full-length mirror, Bobrick B165 2460.
 - One 2’ Stainless Steel Shelf, Bobrick B-298x24, in close proximity of mirror and within view of mirror reflection, mounted at ADA compliant height.
 - Two wall-mounted hooks, Bobrick B6707, in close proximity of mirror and within view of mirror reflection, mounted at ADA compliant height.

ii) Single Restrooms:

- Single-sized mirror over each sink, with a shelf for all other restrooms. Bobrick B166 1836.
- One wall-mounted hook, Bobrick B6707, in close proximity of mirror and within view of mirror reflection, mounted at ADA compliant height.

iii) All Restrooms:

- Provide Graffiti-film on mirrors that do not change mirror reflective properties including color.

d) Soap Dispensers

- Wall-mounted on wing (return) walls where mirror is continuous, at ADA compliant heights.
- Wall-mounted between mirrors, at ADA compliant heights, at all other restrooms.
- Dispensers shall be mechanically fastened, tape mounted installation is prohibited.

e) Sanitary Napkin/Tampon Vendor

- Provide at multi-stall restrooms.
- Provide Bobrick B-4706C ConturaSeries® Recessed Napkin/Tampon Vendor.

f) Diaper Changing Stations

- Provide in both male and female multi-stall restrooms in community-use facilities such as Student Centers, Student Services, Library Learning Resource Center, Gymnasiums and Theaters.
- If a unisex family single stall restroom is provided in the facility, locate the Baby Changing Station in that restroom in lieu of locating in male and female multi-stall restrooms.
- Provide Bobrick (Koala Bear) KB110-SSRE, Horizontal, Recessed Mounted Baby Changing Station, mounted at ADA compliant height.
- Locate in an area where the use of the Baby Changing Station will not interfere with access requirements for the restroom. **Do not** locate Baby Changing Stations in stalls.
- Provide Signage indicating “Baby Changing Station” on restroom doors where a Baby Changing Station is provided.

Design Standard on Doors and Door Frames .

Design Standard on Interior Painting.

Design Standard for Plumbing Fixtures

End of Document

Approved Manufacturers:

- Ceramic Tile: Daltile, American Olean or Equivalent.
- Toilet Partitions: Bobrick Washroom Equipment, Inc; Sierra Series Toilet Partitions or Demonstrated equivalent if approved in writing by Director of Facilities.
- Toilet Accessories: Bobrick Washroom Equipment, Inc or Equivalent.

Substitutes Allowed:

Yes, if performance and quality equivalency can be evidenced.

Associated Design Standards and Construction Specifications

Design Standard on Building, Floor, Room, Stair, Elevator, Equipment and Outlets Designation.

Design Standard on Door Hardware.

DESIGN STANDARD for Vending Spaces

Purpose:

The purpose of this design standard is to ensure consistency in the provision of vending spaces at each campus, in a manner that is aesthetically pleasing to the environment, yet convenient for all users.

Design Standard:

- Vending machines should be installed at high traffic locations around each campus, for the convenience of students, staff and visitors. Machines shall vend beverages and snacks.
- Design professionals shall inquire during the design phase as to whether vending machines are desired in the facility, as well as quantities and locations.
- Wherever possible, create vending rooms (with open doorways, no doors) off the entrance lobby for vending machines, so that the machines are accessible without visually detracting from an orderly and aesthetically pleasing instructional environment. Provide glazing into the vending machine area from adjacent traffic area, if an as needed to enhance security.
- Where vending rooms are not possible, create recessed alcoves for vending machines.
- Where vending machines are to be installed at an exterior location, plan for extra security measures against vandalism. These measures will be provided by Vending Provider but Design Professionals should be aware of them:
 - Machines to be caged and lockable.
 - A minimum of 3/8" wedge anchor into concrete, minimum 3" embed.
 - Identify trip hazards.
 - Flooring under vending machines to be sealed concrete if possible. In no case shall it be carpet.
- SCCD is currently under contract with Pepsi for beverage and Canteen for snack vending machine sales, respectively.

Substitutes Allowed:

Not applicable.

Associated Design Standards and Construction Specifications

Not applicable.

End of Document

DESIGN STANDARD for Wall and Corner Protection

Purpose:

The purpose of this design standard it to protect interior surfaces that are vulnerable to excessive wear and tear due to high volumes of traffic, movement of furniture and custodial/supply carts. The need to maintain a neat and orderly appearance, while prolonging the life of interior finishes, needs to be balanced with the College aesthetic values in appearing welcoming but not overly institutional.

Note: these Design Standards are a tool to clarify direction and streamline project execution for design professionals, construction managers and other participants in capital improvement projects. They represent the District's "strong preference" and should be applied, when possible, without compromising the creativity of the overall design. Final disposition, color, size, product choice etc. should conform to the best extent possible where equivalent substitutes are allowed in the Design Standard. If equivalent substitutes are allowed only "if performance and quality equivalency can be evidenced" or the consultant wishes to deviate from the written design standards for other reasons, then the consultant needs to provide evidence/justification and seek District approval as outlined in the [Open this Document First: Standards Process.pdf](#). In all cases the written design standards do not diminish or eliminate the standard of care owed by the consultant to SCCD or relieve, in any manner whatsoever, a consultant from any professional responsibility, duty or due diligence required toward that work.

Design Standard:

Corner Protection

- Corners need to be protected by full-height surface mounted corner guards in high volume areas like Elevator Lobbies, Restrooms and Service Areas.
- At aesthetically important areas such as building lobbies consider Flush Mounted Corner Guards.
- Other Hallway/Corridor corners should be protected by a 5' high corner guard.
- Products: Stainless Steel if appropriate or InPro Corp, Aluminum Surface Mount Corner Guards in Antique White.

Wall Protection: Classrooms

- In classrooms with moveable furniture provide a Chair Rail to protect wall surfaces and furniture from furniture dents caused by furniture scraping wall surfaces.
 - Simple profile Wood chair rails, 2" to 3" tall are preferred. Wood finish to match/coordinate with other interior finishes/colors.

Wall Protection: Corridors/Hallways

- In Corridors/Hallways with high traffic provide a Chair Rail to protect wall finishes from custodial and supply carts.
 - Simple profile Wood chair rails, 2” to 3” tall are preferred. Wood finish to match/coordinate with other interior finishes/colors.
- Given the propensity to post multiple notices in these types of hallways/corridors, design professionals should provide areas within these corridors/hallways where these notices would be posted. To help hide the multiple pinpricks from notice posting, design teams should specify:
 - Wallcoverings similar to Carnegie’s Xorel Wallcoverings with X-Protect Wall backing. These wallcoverings are sustainably produced and are free of PVC, chlorine, plasticizers, heavy metals and ozone depleting chemicals, making them extremely low VOC. They are also easily cleaned with water based solvents and bleach.
 - Wallcoverings should be either full height or above chair rail to ceiling.

Wall Protection: Custodial Service Sinks and similar service areas

- Service areas that accommodate supply carts or experience intensive activity that may damage wall surfaces should be specified with Rigid Sheet Wall protection similar to the wall area around the Custodial Service Sink (see [Design Standard for Custodial Spaces](#)) and per below:
 - Material: Rigid Sheet Vinyl Material
 - Thickness: no less than 0.040”
 - Height: 48 inches Above Finish Floor.
 - Product: InPro Corp. Wall Protection
 - Standard Color: [Antique White](#)

Approved Manufacturers:

Per above.

Substitutes Allowed:

Yes, if performance and quality equivalency can be evidenced.

Associated Design Standards and Construction Specifications

Not Applicable

End of Document

DESIGN STANDARD for Window Treatments

Purpose:

Indoor spaces at SCCD should be naturally daylight to the best extent possible for numerous health, well-being and sustainability reasons. However, window shading may be required for solar shading, black-out and provision of privacy at different times of the day. The District wishes to standardize the treatment of windows to provide a consistent aesthetic look to the campus and to implement solutions that are cost effective to maintain.

Note: these Design Standards are a tool to clarify direction and streamline project execution for design professionals, construction managers and other participants in capital improvement projects. They represent the District’s “strong preference” and should be applied, when possible, without compromising the creativity of the overall design. Final disposition, color, size, product choice etc. should conform to the best extent possible where equivalent substitutes are allowed in the Design Standard. If equivalent substitutes are allowed only “if performance and quality equivalency can be evidenced” or the consultant wishes to deviate from the written design standards for other reasons, then the consultant needs to provide evidence/justification and seek District approval as outlined in the [Open this Document First: Standards Process.pdf](#). In all cases the written design standards do not diminish or eliminate the standard of care owed by the consultant to SCCD or relieve, in any manner whatsoever, a consultant from any professional responsibility, duty or due diligence required toward that work.

Design Standard:

Each building should have one consistent treatment for all exterior windows that need shading. In other words do not provide some windows with vertical blinds and others with roller shades. The decision on which of the following treatments should be provided should be based on the predominant use of the building. For example a predominantly public or classroom building should provide Solar Roller Shades while a predominantly office building should provide vertical blinds.

1. Public and High Use Spaces: Solar Roller Shades

For buildings with many public spaces like lobbies, lounges, meeting rooms and high use areas like classrooms, laboratories etc, provide Solar Roller Shades. These offer the following performance and maintenance features:

- The shade cloth filters the sunlight, lowers solar heat gain, and improves occupant comfort by reducing eye strain due to glare.
- The shade cloth is an open weave and therefore allows some transparency that affords a visual connection to the exterior environment. During daylight hours, this also provides some degree of privacy. (For security reasons, it should be understood that at night, however, the situation is reversed, and the view to the outside is obscured, but the view to the interior is unimpeded).

- The flat surface and washable fabric is easy to clean. This ease of maintenance allows for easy and regular cleaning by our custodial crews, limiting dust in the indoor environment and improving indoor air quality.
- Damaged fabric can be easily replaced by local staff, reducing the life-cycle cost of ownership.
- Manufacturer offers 25 year on-site parts warranty on all products, further reducing SCCD's life cycle cost of ownership.
- Installation technicians are manufacturer-certified, ensuring quality in installation.

Guidelines for application:

- Shades shall be single layer installations.
 - In special circumstances where a room has a programmatic requirement of complete black out capability a simple and economical black out curtain using a rod and ring system should be designed.
- Side channels shall not to be used.
- Cord-stays shall be specified for all manually-operated shades.
- Metal on metal gearing mechanism, and metal chains for operation shall be specified. This configuration provides a higher ratio of pull action to shade movement.
- Shades covering heights of over 15 feet shall be motorized, to prevent possible operator injury from heavy lifting.
- The shade fabric shall be a maximum of 8 ft in width, to prevent possible operator injury from heavy lifting.
- Shade widths should be equally spaced across an opening if longer than 8'-0" in width. Where mullions occur within the opening, matching the mullion spacing is preferred. Minimum allowable shade width shall be governed by the actual size of the opening, or the condition where if the width were added to the next adjacent opening, the combined width would result in a shade greater than 8 feet.
- When multiple shades are to be operated in unison (e.g., a forum-sized lecture room, a library, a large conference room or event space), the shades shall be motorized and have ganged controls.
- Where the top rail will be visible, specify a metal fascia to match the color of the shade. Specify the longest possible lengths for fascias, for the best aesthetic effect.
- When possible, specify inside mounting.

MechoShade Systems is the preferred manufacturer of solar roller shades, approved products:

- **1000 Series Dense Vertical Weave** with 2-3% Openness Factor provides a uniform color on either side of the window. This is the preferred product, as it provides an acceptable level of solar control while also offering transparency. Note that darker colored shade cloth affords greater transparency and enhanced views to the outside environment. Color: [1004 Black/Brown](#).

- **0700 Series Blackout** ShadeCloths are an opaque vinyl/fiberglass/vinyl laminated shade cloth that is appropriate for multi-media area functions. 0700 Series provides insulation and opacity at the window wall. If installing blackout shades in combination with solar shades, place blackout shade at plane closest to the window. Color: [0706 Oyster](#).

2. Other Areas: Vertical Shades

For buildings with predominantly offices and lower use areas provide Vertical Blinds. The following is based on Levelor Vertical Blinds:

- Vinyl Vertical Blinds with curved vanes
- Vane Color: [Brushed Aluminum](#).
- Vanes to stack to one side.
- Cordless Wand Control.
- Where possible, specify inside mounting.
- Where rail is visible, provide a Valance: DesignLine – Tailored, color coordinated with Vane Color.

3. Glazing within Doors

Glazing in Doors should be specified with fritted screens integral in the glazing or should have coatings applied to the glazing surface. Do not specify blinds (either integral or surface mounted) for glazing in doors.

Approved Manufacturers:

- Mechoshade
- Levelor

Substitutes Allowed:

No substitutes allowed.

Associated Design Standards and Construction Specifications

Not Applicable.

End of Document

DESIGN STANDARD for Thermoplastic Single-Ply Roofing

Purpose:

Thermoplastic single-ply roofing shall be the District Standard for roofing. The purpose of this design standard is to achieve the following performance and sustainability criteria for thermoplastic single-ply roofing installed at the Solano Community College District sites:

- Heat-reflective and energy efficient roofing system
- Exceptional resistance to ultraviolet, ozone and chemical exposure

Note: These Design Standards are a tool to clarify direction and streamline project execution for design professionals, construction managers and other participants in capital improvement projects. They represent the District's "strong preference" and should be applied, when possible, without compromising the creativity of the overall design. Final disposition, color, size, product choice etc. should conform to the best extent possible where equivalent substitutes are allowed in the Design Standard. If equivalent substitutes are allowed only "if performance and quality equivalency can be evidenced" or the consultant wishes to deviate from the written design standards for other reasons, then the consultant needs to provide evidence/justification and seek District approval as outlined in the [Open this Document First: Standards Process.pdf](#). In all cases the written design standards do not diminish or eliminate the standard of care owed by the consultant to SCCD or relieve, in any manner whatsoever, a consultant from any professional responsibility, duty or due diligence required toward that work.

Design Standard:

- Basis of Design: 80-mil.
Membrane thickness over the reinforcing scrim (top-ply thickness) shall be nominal 23 mil thick or greater.
Face Color: White, Grey, Tan

- Provide an installed roofing membrane and base flashing system that does not permit the passage of water, and will withstand the design pressures determined in FM Global's Loss Prevention Data Sheet 1-28, to meet a 1-90 wind uplift rating.
- Installer shall provide all primary roofing materials that are physically and chemically compatible when installed in accordance with manufacturers current application requirements.
- Roofing System Design: Provide a membrane roofing system that is identical to systems that have been successfully tested by a qualified testing and inspection agency to resist uplift pressure calculated according to ASCE 7-10.
- Fire-Test-Response Characteristics: Provide membrane roofing materials with the fire-test-response characteristics indicated as determined by testing identical products per test method below by UL, FMG, or another testing and inspection agency acceptable to authorities having jurisdiction. Material shall be identified with appropriate markings of applicable testing and inspecting agency.
 - Exterior Fire-Test Exposure: Class A; ASTM E 108, for application and roof slopes indicated.
 - Fire-Resistance Ratings: ASTM E 119, for fire-resistance-rated roof assemblies of which the roofing system is a part.
- FMG Listing: provide roofing membrane, base flashings, and component materials that comply with requirements in FMG 4450 and FMG 4470 as part of a membrane roofing system and that are listed in FMG's Approval Guide for Class 1 or noncombustible construction, as applicable. Identify material with FMG markings.
 - Fire/Windstorm Classification: Class 1 A-90
 - Hail Resistance: MH
 - Wind uplift: FM I-90
- Thermoplastic surface layer to meet the following criteria:
 - Minimum solar reflectance of .63
 - Minimum thermal emittance of .75 or a minimum SRI of 75.
- Installer's Qualifications:
 - Certificates: Signed by roofing system manufacturer certifying that installer is approved, authorized, or licensed by manufacturer to install roofing system.
 - Installer shall have a formalized Safety Program, a copy of the parameters of which will be provided to the Owner for his review and acceptance. Safety Program will include formal scheduled meetings and an outline of procedures to be used for each roofing project. Include a written Fall Protection Plan.
 - Must have installed a minimum of five (5) similar installations.

- Source Limitations: All components listed in this section shall be provided by a single manufacturer or approved by the primary roofing manufacturer.
- Final Inspection: Upon completion of the roofing installation, the applicator shall arrange for an inspection to be made by a non-sales technical representative from the manufacturer to provide and document a comprehensive final inspection and determine any corrective work required before a warranty will be issued.
- Installer Warranty: Provide a 2-year installer warranty in conformance with State of California regulations for roofing system.
- Manufacturer's Warranty: Provide a 20 year non-prorated Unlimited Warranty for Thermoplastic Roof Systems.
- Ensure that all existing mechanical equipment curbs are raised to meet current code and manufacturer's requirements if new insulation changes the height between top of roofing and top of equipment curb.
- Ensure that all new walk path materials fully encircle mechanical equipment on the roof for servicing.
- Ensure that walk path materials are provided to ensure that every pathway requirement is met for safe foot travel on the roof (design to be reviewed and signed off on by SCCD Facilities staff.)
- Ensure that existing ladders and access hatches are reviewed and modified or replaced if necessary to comply with current code and safety regulations.

Approved Manufacturers:

o Approved Manufacturers:

- Firestone Building Products – Ultra Ply TPO
- Johns Manville – TPO Membrane
- Carlisle SynTec Systems, Inc. – Sure Weld TPO

o Materials:

- Unless otherwise approved by the specifier, all materials and products (including adhesive, sealant, insulation, fasteners, fastening plates and edgings) to be provided by the roofing system manufacturer and covered by warranty.
- Flashing: Nominal 80-mil membrane shall be used for all flashing requirements to match the field membrane and warranty expectations selected for the roofing system.
- Bonding Adhesive: Low VOC adhesive for bonding roofing membrane and sheet flashings to substrates and projection, per manufacturer.

- Flashing Metal: Coated metal sheets made from 24 gauge galvanized steel with a minimum 0.035" thick non-reinforced white TPO laminate. Factory supplied in sheets and required for fabrication into metal base and curb flashings, sealant pans, and scupper sleeves.
- Pre-Moulded Flashings: Injection molded vent stack and inside/outside corner flashing.
- Termination Bars: Manufacturer's standard predrilled stainless-steel or aluminum bars, 1" x 1/8" thickness, with anchors.
- Miscellaneous Accessories: provide pourable sealers, counter flashing, reglets, cover strip and other accessories.
- Cover Board: 1/2" min. thickness fibrous glass faced water resistant gypsum core cover board such as DensDeck Prime from G-P Gypsum or Securock from USG. Board size to be 4' x 4' for adhered applications. Manufactured to conform to ASTM C 1177.
- Walkpads and Walkway Roll: Protective surface for roof traffic shall be Sure-Weld TPO Walkway Rolls with deep-embossed anti-slip tread surface.
- Metal Edging: All metal edging shall be tested and meet ANSI/SPRI ES-1 standards and comply with Building Code.
- Caulking: Provide caulking and sealant per TPO manufacturer.

Substitutes Allowed:

As noted in this Standard.

Associated Design Standards and Construction Specifications

As noted in this Standard.

Fire Protection Standards

DESIGN STANDARD for Basic Fire Protection System Design

Purpose:

The purpose of this document is to standardize the basic elements of the Fire Protection system design process. This design standard has the purpose of creating a consistent application of Fire Protection system design throughout the Solano Community College District therefore achieving a standard of quality for maintenance and reliability throughout all renovation and new building projects.

Design Standard:

Codes and Standards

- California Fire Code
- NFPA 13, Installation of Sprinkler Systems.
- NFPA 14, Standard for the Installation of Standpipe and Hose Systems
- NFPA, Automatic Sprinkler System Handbook.
- Underwriters Laboratories Fire Protection Equipment Directory.
- Factory Mutual Approval Guide.
- Local Fire Marshall

All new structures and structures receiving a major modernization will be protected by an approved wet pipe hydraulically calculated automatic fire sprinkler system designed, installed, and tested in accordance with NFPA 13, CCR Title 19, the California Fire Code and local Fire Marshal requirements. The fire sprinkler water connection will be connected to the site fire water service. The design and installation of wet sprinkler system will be by a Design/Build Fire Protection Contractor.

The Contractor is responsible for all hydraulic calculations, stamping of drawings by a California Licensed Engineer in conformance with all the jurisdictions requirements for submittal to local agencies for building permit, coordination with Architect, and getting approval from the AHJ.

Design and furnish all materials, labor and equipment necessary for installation of the hydraulically designed Automatic Wet Sprinkler System throughout the building as generally outlined herein:

- Service main from connection to campus water main to building entrance riser valve assembly (with post indicator shut off valve, back flow preventer and fire department hose connection).

- Required zone control valve assemblies, drain valves, pressure gauges and signs to identify all valves.
- Provide a stock of each type of sprinkler head in a locked box near the main fire riser of each building.
- Water flow and valve supervisory switches with alarm signals to building fire alarm system.
- All piping shall be concealed except in equipment type rooms that have no ceilings. In retrofit project, discuss merits of concealing pipes with the District.

Design based on flow and residual water pressure tests and submit to local and state Fire Marshal for approval prior to installation.

Sprinkler Head Use:

- Exposed, Upright – Mechanical Rooms without ceilings, Equipment Rooms without ceilings, Utilitarian Mechanical Type Shops, Electrical Rooms without ceiling, Telecom Rooms without ceilings.
- Semi-recessed – All removable tile ceilings and hard lid ceilings.
- Concealed – Only in architecturally sensitive locations to match architectural design intent.
- High Temperature – Utilize in all Mechanical Rooms, Electrical Rooms, Telecom Rooms or other areas where high temperatures may be experienced.
- Sprinkler head Guard - Utilize in all Mechanical Rooms, Electrical Rooms, Telecom Rooms or other areas where damage to heads could easily result.
- See sprinkler layout detailed below. In corridors, sprinkler heads are ideally located along the centerline. However priority is given to the location of the light fixtures. In general, the District standards for the suspended acoustical tile ceilings includes a 2'x4' tile with a routed groove which simulates a 2'x2' tile. The sprinkler head layout should avoid placing heads over the routed groove, or within 6" of any tee.

Pre-Action Systems:

- Provide in all locations where damage due to water is deemed catastrophic (i.e. data centers). Determination of rooms requiring such shall be made by Solano Community College District as part of a risk mitigation consideration.
- Determine best application of single or double interlock as required and coordinate use with clean agent extinguishing system if required. Use clean agents that match existing inventories. Complete system parameters and design intent shall be coordinated with the Solano

Plumbing Standards

Community College District project manager for risk assessment including use of cross zoned detection, VEDA systems, etc.

- All dry sprinkler piping shall be galvanized steel.

Approved Manufacturers:

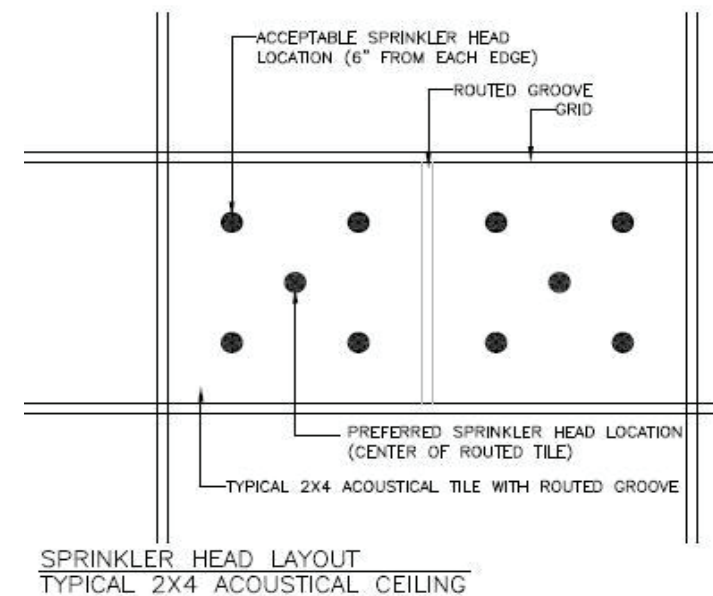
Not Applicable

Substitutes Allowed:

Not Applicable

Associated Design Standards and Specifications

- All Division 21 Design Standards and Construction Specifications



DESIGN STANDARD for Basic Plumbing System Design

Purpose:

The purpose of this document is to standardize the basic elements of the Plumbing system design process. This design standard has the purpose of creating a consistent application of Plumbing system design throughout the Solano Community College District therefore achieving a standard of quality for maintenance, energy efficiency, and reliability throughout all renovation and new building projects.

Design Standard:

Codes – Systems will be designed in accordance with the latest edition of the following codes:

- Uniform Building Code; California Building Code.
- Uniform Mechanical Code; California Mechanical Code.
- Uniform Plumbing Code; California Plumbing Code.
- Uniform Fire Code; California Fire Code.
- National Electrical Code; California Electrical Code.
- State of California Code of Regulations (CCR).
- Energy Efficiency Standards and Title 24 Regulations.
- Local City of Newark Amendments and Regulations.
- DSA – Department of the State Architect.

Standards – The following reference standards shall be used for the design:

- ANSI – American National Standards Institute.
- ASME – American Society of Mechanical Engineers.
- ASSE – American Society of Sanitary Engineering.
- ASTM – American Society for Testing and Materials.
- AWS – American Welding Society.
- AWWA – American Water Work Association.

- CISPI – Cast Iron Soil Pipe Institute.
- CS – Commercial Standards.
- EPA – Environmental Protection Agency.
- NEMA – National Electrical Manufacturer’s Association.
- NFPA – National Fire Protection Association.
- NFPA 10 – Portable Fire Extinguishers.
- NFPA 101 – Life Safety Code
- NSF – National Sanitation Foundation.
- PDI – Plumbing and Drainage Institute.
- UL – Underwriters’ Laboratory.
- LEED – U.S. Green Building Council

Water Piping:

- Determine cold water service and building domestic hot and cold water demands for major buildings by the fixture unit method as outlined in the California Plumbing Code.
- Add known continuous demands to the total estimated demand.
- Size water piping with velocities not exceeding 7.5' per second and minimum of 35 pounds per square inch residual pressure at the highest, or last, fixture or hose rack. For copper pipe, size with velocities of 5' to 8' per second
- Take particular care in designing and sizing of cold water piping to any shower, or shower room, where the use of adjacent flush valve fixtures could affect the pressure and cause excessive temperature fluctuations. Consider the use of a pressure balancing valve between hot and cold water supplies, or separate line from a point that would not be affected by flushing of fixtures.

Soil and Waste, and Vent Piping

- Size soil and waste piping by the fixture unit method as outlined in the California Plumbing Code (CPC).
- Grade interior piping, above grade, at 1/4" per foot minimum; 1/8" is acceptable if the pipe size is increased to compensate for the 1% slope as required by California Plumbing Code (CPC)
- Vent all sanitary fixtures as required by code.

- Kitchen or Food Service Waste System: Design a separate waste system for any kitchen or food service and discharge through a grease trap/interceptor. Keep this system separate and connect at a point in the building sanitary sewer system where a stoppage below the connection will not back sewage up to kitchen or food service floor drains or sinks.
- Use corrosive-resistant pipe in any location where the waste may contain corrosives. Keep such waste and vent system separate from the building plumbing soil, waste and vent systems to a point outside the building. In buildings with minor isolated points of corrosive use, discuss the method of handling Solano Community College District.
- Use gravity flow for all building drainage systems. Where this appears to be impractical, discuss installation of pumps with Solano Community College District and obtain approval before proceeding with design.

Storm Piping

- Rainwater Leaders and Storm Drains: Compute rainwater quantity on the basis of 1.5" rainfall per hour minimum (.935 gallons per hour/square foot horizontal drainage area). Size all piping per CPC
- Grade interior piping, above grade, at 1/4" per foot minimum as required by California Plumbing Code (CPC)
- Insulate underbodies and horizontal mains.

Industrial Water Systems

- The industrial water system shall serve all points of water use that could cause contamination by their backflow into the domestic water system.
- Where an industrial water system is selected for a project, protect the domestic water system by installation of two approved reduced pressure backflow prevention devices in parallel at the point of connection.
- Detail the installation of the devices in an accessible location with the lower a minimum of 1' above the floor and the upper a maximum of 5'. Provide adequate drainage below the devices for testing or malfunction, via floor drains.
- Each outlet or connection to the industrial water system shall be posted with a sign reading Industrial Water - Do Not Drink. These may be waterproof cloth tape with printing protected by clear vinyl and self-adhesive back; 1/4" high, black letters on yellow background.

Connections to Kitchen Equipment

- Kitchen equipment is normally furnished under the specification section for kitchen equipment
- Include a schedule in the plumbing drawings for the rough-in and final connections to all kitchen equipment
- Coordinate the furnishing of all equipment trim, such as traps, faucets and valves, with the kitchen equipment drawings and specifications
- Provide a pressure regulating valve, pressure gauge, pressure relief valve, thermometer and shock absorber in the 180° rinse line to the dishwasher connection

Back Flow Prevention

- The proper design, selection, installation and maintenance of cross-connection control devices is imperative for the protection of potable drinking water and distribution systems. Appropriate backflow prevention assemblies shall be selected.
- Provide backflow protection at any building water system where there are connections, actual or potential, to a contaminating liquid. Examples include connection from domestic system to HHW makeup and cooling towers
- Backflow may be prevented by installing a backflow prevention device at each individual point of possible contamination, where devices such as vacuum breakers or air gaps may be employed, or at a single point where an industrial water piping system takes off from the domestic water piping.

Roof, Floor, and Areaway Drains

- Include provisions in the design for coordination of drain and clean-out elevations and other work such as concrete and waterproofing
- Locate toilet room floor drains out of foot traffic below water closet partitions or between urinals
- Where floor drains are roughed in for future use, cover with a flush plate and gasket for protection against fume leakage
- Provide trap primers to retain trap seals on floor drains installed in areas where floors are not washed periodically or there is no regularly used water outlet to replenish trap seal.
- All floor drains to have 3" or larger traps plus trap primers
- All horizontal drain runs to have cleanouts on the end of the run on every floor

- Main drain stacks must have cleanouts installed on each floor

Hose Bibbs and Landscape Irrigation Service

- Provide keyless hose bibbs at important outside entrances to a building along each side of the building and never more than 50' from a paved entrance for washing down purposes. Locate these as inconspicuously as possible consistent with accessibility. Provide a ground level hose bibb for wash-down at all large concrete areaways or shafts. Hose bibbs shall be supplied from an industrial water system or have separate RP device or vacuum breaker and backflow preventer on each hose bibb

Disinfection Of Water Systems

- Clean and disinfect the domestic hot and cold water systems, including fire systems connected to the domestic water systems, in accordance with the generally accepted standards and Codes. For remodeling work, modify the procedure as required to accommodate the occupants

Plumbing Isolating Valves

- Show all valves on drawings.
- Arrange and valve all utility services so that, as a minimum, each floor may be isolated
- Arrange and valve domestic hot and cold water piping so that toilet rooms can be isolated without interrupting service to other parts of the building
- Show sectionalizing valves in top center and bottom of risers in hot water supply and return systems
- Place valves on each side of backflow or check valve to permit servicing
- Show valves on all services left for future connections (tees, stubs, etc.) unless they are in a valved zone, or isolated by other valves, that permits only a minor loss of pipe contents when opened

Pipe Installation

- Specify a proper corrosion preventive wrapping for any black steel piping installed below grade (bituminous and paper wrapping or extruded plastic).
- Provide water hammer arrestors in water lines to equipment or fixtures having quick closing or flush valves and any equipment that might produce water hammer. Water hammer arrestors shall be certified by the Plumbing and Drainage Institute (PDI). Show location and size of all water hammer arrestors on plans and access for maintenance or replacement. Provide access panels if required.

- Show clean-outs in sewer lines as required by code. In addition, vertical to horizontal changes in main risers that occur above furred ceilings shall have a clean-out extended from the base to a floor clean-out or a wall clean-out above the change in direction
- Do not embed piping in concrete.

Kitchen Grease, Plaster, Sediment and Sand Traps

- In general, grease traps should be avoided except where required by code or other regulations. If required, locate for easy access and servicing, preferably outside, with proper venting
- Provide a sand and oil interceptor where required for separation of solids from the sanitary sewer system.

Fixtures, General

- Specify fixtures using a minimum of water consistent with fixture application. Install flow control devices to limit water use, except in tank and flushometer water closets and urinals.
- Vitreous ware shall be institutional quality
- Design cast iron enameled ware with acid-resisting enamel
- Design fixtures complete with trims, where applicable. Exposed trims shall be coordinated with finish of plumbing fittings
- Provide accessible fixtures per Architectural documentation.
- Provide stops in hot and cold water lines serving all fixtures, including hose bibs

Fixture Connections

- Exposed water supply pipe, tubing and waste piping connections shall be chrome-plated brass
- Fit supply pipe, tubing, and other connections with chrome-plated brass escutcheons at walls
- Cover exposed bolt heads in floor flanges of any fixture, in the back of any fixture, or in the fixture itself, with porcelain bolt caps securely held in place with putty
- Fit fixtures tight to walls and seal joint. Coordinate sealant with architectural
- Specify red brass for all nipples from copper water lines to fixture stops. Do not allow galvanized nipples

Sustainable Design Practices

- The Solano Community College District has a desire to build buildings utilizing sustainable design techniques. As part of the Plumbing Design Standards, sample sustainable design opportunities are provided in the table located in Sustainability Section of the Solano Community College District Standards. Each strategy needs to be integrated appropriately into their respective projects. Development of design strategies for each item is beyond the scope of this Design Standard and requires careful consideration for proper application. See table on following pages. The District will select on a case by case basis, which projects will be LEED™ Certified and to what level.

Approved Manufacturers:

Not Applicable

Substitutes Allowed:

Not Applicable

Associated Design Standards and Specifications

- All Division 22 Design Standards and Construction Specifications

DESIGN STANDARD for Plumbing Pipe and Fittings

Purpose:

The plumbing piping materials are an essential element of the plumbing systems. This design standard has the purpose of creating a consistent application of plumbing piping material requirements throughout the Solano Community College District therefore achieving a standard of quality for maintenance, reliability, and energy efficiency throughout all renovation and new building projects.

Design Standard:

Work Included: Materials, installation and testing of pipe, tubing and fittings for complete and operable systems.

- General Electrical Equipment Clearances: Do not route piping through electrical rooms, transformer vaults, elevator equipment rooms, and other electrical or electronic equipment spaces and enclosures. Within mechanical or plumbing equipment rooms, provide minimum 3 feet lateral clearance from sides of electric switchgear panels, MCC's, etc. Do not route piping above any electric power or lighting panel, switchgear, or similar electric device. Coordinate with electrical and coordinate exact pipe routing to provide proper clearance with such items.
- Welding Qualification: Qualify welding procedures, welders and operators in accordance with ANSI B31.9 for shop and project site welding of piping work.
- All piping shall meet the piping material requirements set forth:
- Equipment: Provide pipe, tube and fittings of the type, fitting requirements, grade, class, size and weight indicated or required for each service, as indicated in other Division 22 Specifications.
- Piping: Piping shall conform to ASTM or ANSI Standards and be approved by the governing Code for the application intended.
- Excavation: Perform necessary excavation and backfill required for the installation of the plumbing work.
- Tests: Test piping according to the requirements of Plumbing Code and submit "Certificate of Accessibility" to Owner. Test water piping at 150 PSIG for a period of 2 hours with no loss in pressure.

- Steel Pipe:
 - ASTM A-53-84a, Electric Resistance Welded or Seamless, Grade B: Black, unless otherwise indicated, Schedule as specified.
 - ASTM A-135-84, Grade B: Black, unless otherwise indicated, Schedule as specified.
- Copper Tube:
 - Temper: Provide hard drawn temper.
 - Water Service: ASTM B-88, type as indicated for each service.
 - Drain, Waste, and Vent (DWV): ASTM B-306.
- Cast Iron Pipe:
 - ASTM A74, Hub-and-Spigot, service weight.
 - CISPI 301-75 Hubless (No-Hub), including coupling assembly.
- Insulating (Dielectric) Unions: Standard units recommended by manufacturer for use in the service indicated, which isolate ferrous from nonferrous piping, and prevent galvanic corrosion action. Minimum rated "flashover" voltage: 600 volts. Watts 3000 Series. Provide insulated flanges for flanged piping system connection to dissimilar metals.
- Welding Materials: Comply with Section 2-C of ASME Boiler Code, as applicable.
- Tin-Antimony Soldering Materials: ASTM B13.
- Copper-Brazed: Make brazed joints for copper tubing and fittings with code approved brazing filler alloys meeting ASTM and AWS standards and listings. Filler alloys of BCuP2 classification (e.g., "Phos-O" or "Fos-Copper") may not be used to make joints between copper tubing and cast brass or bronze fittings. Installations conform to accepted published procedures, i.e., CPC Installation Standard 3-75 and CDA Publications. Use of steel wool for cleaning tube and fittings is prohibited.
- Unions: Provide unions at all threaded connections to equipment, regulators, and controls that may have to be removed or replaced and at all points where necessary for the disassembly of piping for maintenance. Detail piping and unions to allow removal of equipment without springing pipe.
 - Steel Pipe Union: 150 PSI malleable iron, brass to iron seat, ground joint, black or galvanized to match pipe

- Copper Pipe Union: 200 PSI working pressure. Bronze body, solder or grooved ends. Pipes 2 inches and under use ground joint, pipes 2-1/2 inches and larger use flanged face or grooved ends
- Insulating Unions: 250 PSI working pressure. Pipe ends and material to match piping. Electric current below 1 percent of galvanic current. Gasket material as recommended by manufacturer. Epcor or approved

- Escutcheons:

- Brass material, chrome plated finish. Size sufficient to cover pipe openings through wall, floor or ceiling. Set screw or spring to secure to pipe. Coordinate opening sizes

- Sleeves: Provide sleeves on pipes passing through concrete or masonry construction. Extend sleeve 1 inch above finished floor. Caulk pipes passing through floor with non-shrinking grout or approved caulking compound. Provide "Link-Seal" sleeve sealing system for slab on grade or exterior wall penetrations. Caulk/seal piping and ductwork passing through fire rated building assembly with UL rated assemblies. Provide fire-rated assemblies per local AHJ requirements.

- Corrosion Control: Underground Steel Piping Corrosion Protection: Factory wrap un-insulated underground steel piping systems with protective coating composed of a coal-tar saturated wrapping tape over a 20 mil thick coal-tar epoxy coating, equivalent to "Republic X-Tru-Coat." Wrap joints spirally with a minimum overlap of 1/2 tape width. Extend wrap not less than 3 inches above grade. Provide cathodic protection to meet requirements of NACE Standard RP0169-2002.

- Pipe Tests:

- Make test before pipes are concealed
- Fill system and remove air from system at least 24 hours before test begins
- Correct leaks in screwed fittings by remaking the joint. Cut out leaks in welded joints and reweld; caulking is not permitted
- Apply test pressure of 125 PSI and maintain for 1 hour with no visible leaks and no appreciable drop after the test pump has been disconnected

Approved Manufacturers:

Not Applicable

Substitutes Allowed:

Not Applicable

Associated Design Standards and Specifications

- 22 05 29 - HANGERS AND SUPPORTS FOR PLUMBING PIPING AND EQUIPMENT
- 22 05 53 - IDENTIFICATION FOR PLUMBING PIPING AND EQUIPMENT
- 22 11 13 – GENERAL PLUMBING PIPING SYSTEMS

DESIGN STANDARD for Common Motor Requirements for HVAC Equipment

Purpose:

The motor requirements for plumbing equipment are an essential element of the plumbing systems. This design standard has the purpose of creating a consistent application of plumbing equipment motor requirements throughout the Solano Community College District therefore achieving a standard of quality for maintenance, reliability, and energy efficiency throughout all renovation and new building projects.

Design Standard:

Work Included: Materials, installation and testing for complete and operable motors and starters for plumbing equipment. These Design Standards are inclusive of motors that are field installed as well as integral to mechanical equipment.

All motors to meet the following requirements based on Code requirements and industry standard of care:

- Energy efficient, suitable for non-overloading operation, and capable of continuous operation at full nameplate rating. Motors 1 HP and larger must meet Energy Policy act of 1992. Motors to meet or exceed California Energy Commission Title 24 requirements.
- Take NEMA standards as minimum requirements for motor design and performance. Motors suitable for load, duty, voltage, frequency, hazard, and for service and location intended.
- For consistency and economy, motors, unless specified otherwise, to be general purpose open drip-proof type, ball bearing equipped, 40°C temperature rise, and rated for continuous duty under full load.
- To avoid unnecessary maintenance costs and early failure of equipment, all motors located outdoors to be TEFC motors (totally enclosed, fan cooled).
- Due to the harsh weather environment at Solano College, all motors exposed to the outside air stream (whether inside or outside of equipment) to be TEFC motors (totally enclosed, fan cooled).

- Motors smaller than 1/2 horsepower, 1 phase; and motors 1/2 horsepower and larger, 3 phase and voltage as indicated on Drawings. Maximum motor speed of 1750 RPM, unless otherwise noted. One phase motors to have internal thermal overload protection with automatic reset.
- Motors for belt drive to have adjustable bases with set screw to maintain belt tension.
- Provide inverter rated motors per NEMA MG1-31 where variable frequency drives are applied or where soft start starters are utilized.
- For consistency, all starters to be specified by Division 26.
- For consistency, all disconnects to be specified by Division 26.
- Motors to have name plate giving manufacturer's name, shop number, HP, RPM and current characteristics.
- Motor mounting to provide for anti-vibration isolation in order to minimize vibration for ceiling-mounted projectors.

Approved Manufacturers:

- General Electric
- Westinghouse
- Baldor
- Reliance

Substitutes Allowed:

Yes, if performance and quality equivalency can be evidenced.

Associated Design Standards and Specifications

- 22 05 48 - VIBRATION AND SEISMIC CONTROLS FOR PLUMBING PIPING AND EQUIPMENT
- 22 05 53 - IDENTIFICATION FOR PLUMBING PIPING AND EQUIPMENT
- 23 09 13 - VARIABLE FREQUENCY DRIVES

DESIGN STANDARD for General Duty Valves for Plumbing

Purpose:

The plumbing valves are an essential element of the plumbing systems. This design standard has the purpose of creating a consistent application of plumbing valve requirements throughout the Solano Community College District therefore achieving a standard of quality for maintenance and reliability throughout all renovation and new building projects.

Design Standard:

Work Included: Materials, installation and testing of valves for a complete and operable systems.

All valves of a particular type and size range on any one project shall be the product of one manufacturer.

Valves shall be designed to be installed with the valve bonnet in an upright position to prevent deterioration or corrosion of the bonnet and packing.

Valve body materials shall be compatible with piping system materials.

A valve drain shall be provided at the base of each water piping riser and manual air vents shall be provided at the top of each riser and at the high point of the system.

All valves shall be provided with reusable strap-on insulation covers.

All exposed valves in finished areas shall be chrome-plated.

Insulation: Where insulation is indicated, install extended stem valves, arranged in proper manner to receive insulation

Design access panels, where a removal type ceiling is not planned, into the project so all valves are accessible

Locate isolation valves so that it is possible to isolate separate floors, separate wings, machinery rooms and other natural subdivisions of the building. Design isolation valves on each side of equipment to permit servicing or removal without draining system. Design valves at all services left for future connections (tees, stubs, etc.,) unless they are in a valved zone, or can be isolated by existing valves with minor loss of pipe contents when opened

All general duty plumbing valves shall meet the requirements set forth:

- Ball Valves
 - System supply and return piping shut-off and isolation valves for application in piping system up to and including 2-1/2" in diameter
 - Class 125, bronze body, screw-in bonnet, integral seat, renewable disc, straight body
- Butterfly Valves
 - System supply and return piping shut-off and isolation valves for application in piping system over 2-1/2" in diameter
 - 6 Inches and Smaller: 200 PSI, ductile iron body, extended neck, aluminum bronze disc, reinforced resilient EDPM seat, manual lever and lock
 - 8 Inches and Larger: 200 PSI, ductile iron body, extended neck, aluminum bronze disc, reinforced resilient EDPM seat, gear operator
- Globe Valves
 - Design for modulating services
 - 2 Inches and Smaller: Class 125, bronze body, screw-in bonnet, integral seat, renewable disc, straight body
 - 2-1/2 Inches and Larger: Class 125, iron body, bolted bonnet, flanged ends, renewable seat and disc, bronze mounted
- Balancing Valves
 - Provide balancing valves as required for proper balance and to maintain balance at part and full load conditions
 - Bronze with a machined orifice flow restriction, multi-turn globe type valve, internal O-rings, rated working pressure of at least 240 PSIG (175 PSI iron construction, 2-1/2 inches and larger), flow setting indicating pointer and calibrated nameplate, memory stops, and pressure readout port with integral check valve on each side of the orifice
- Check Valves
 - Where check valves are required, they shall be installed on the equipment side of all shutoff valves to facilitate servicing of the check valve

- 2 Inches and Smaller: Class 125, bronze body, horizontal swing, regrinding type, Y-pattern, renewable disc
- 2-1/2 Inches and Larger: Class 125, iron body, bolted bonnet, horizontal swing, renewable seat and disc, flanged ends
- Drain Valves
 - Class 125, bronze body, screw-in bonnet, rising stem, composition disc, 3/4-inch hose outlet

Approved Manufacturers:

- Ball, Butterfly, Globe Valves, Check Valves, Drain Valves
 - Nibco
 - Crane
 - Milwaukee
- Balancing Valves
 - Bell & Gossett
 - Armstrong
 - Nibco
 - Wheatley
 - Tour & Anderson

Substitutes Allowed:

Yes, if performance and quality equivalency can be evidenced.

Associated Design Standards and Specifications

- 22 05 53 - IDENTIFICATION FOR PLUMBING PIPING AND EQUIPMENT

DESIGN STANDARD for Hangers and Supports for Plumbing Piping and Equipment

Purpose:

The plumbing piping and equipment hangers are an essential element of the plumbing systems. This design standard has the purpose of creating a consistent application of plumbing piping and equipment hanger requirements throughout the Solano Community College District therefore achieving a standard of quality for maintenance, reliability throughout all renovation and new building projects.

Design Standard:

Work Included: Material and installation of supports, anchors and sleeves including: horizontal piping hangers and supports; vertical piping clamps; hanger rod attachments; building attachments; saddles and shields; miscellaneous metals, miscellaneous materials; roof equipment supports; anchors; equipment supports; wall and floor sleeves; and escutcheon plates for a complete and operable systems.

- Design pipe hangers and supports whose materials, design and manufacture comply with MSS SP-58, "Pipe Hangers and Supports - Materials, Design and Manufacture," latest edition.
- Select and apply pipe hangers and supports complying with MSS SP-69, "Pipe Hangers and Supports - Selection and Application," latest edition. Use only one type by one manufacturer for each piping service. Select size of hangers and supports to exactly fit pipe size for bare piping, and to exactly fit around piping insulation with saddle or shield for insulated piping. Provide copper-plated hangers and supports for un-insulated copper piping systems.
 - Pipe Hangers Size 2 Inches and Smaller: Adjustable swivel ring hanger, UL listed
 - Pipe Hangers Size 2-1/2 Inches and Larger: Adjustable clevis type, UL listed
- The use of pipe hooks, chains, plumbers tape, or perforated iron for pipe supports is not acceptable
- All piping shall be designed to maintain the required pitch and shall provide for proper expansion and contraction
- Vertical runs of pipe shall be supported with steel, UL listed riser clamps made specifically for pipe or for tubing

- Due to the harsh outdoor environment at Solano College, all piping supports at Solano College that are in contact with the outdoor air shall be protected against corrosion.
- Piping supports shall be designed to withstand seismic forces.
- Roof equipment supports: Coordinate the location and type of each roof equipment support with the roofing system supplier. Coordinate systems to maintain roof warranty. Due to Solano College's harsh outdoor environment all exposed equipment supports or equipment supports in mechanical rooms with contact to the outdoor air shall be protected against corrosion.
 - Compensate for slope in roof so top of support is level
 - Construct curb to withstand seismic forces
- Roof Pipe Supports: Support piping on roof with polyethylene high-density U.V. resistant quick "pipe" block with foam pad. Recommended installation is for quick "pipe" blocks to be freestanding. Piping 3 inch and larger mounted on roller hangers. Wood block supports are not acceptable due to increased maintenance and low reliability.
- Escutcheon Plates: Design around horizontal and vertical piping at visible penetrations through walls, partitions, floors, or ceilings, including penetrations through closets, through below ceiling corridor walls, and through equipment room walls and floors.

Approved Manufacturers:

- Pipe Hanger Supports
 - B-Line
 - Michigan
 - Superstrut
 - Unistrut
- Roof Equipment Supports
 - Pate ES
 - Custom Curb
 - Vibrex
 - Thycurb

- Roof Pipe Supports
 - Erico Pipe Piers
 - Nelson-Olsen Inc.

Substitutes Allowed:

Yes, if performance and quality equivalency can be evidenced.

Associated Design Standards and Specifications

- 22 11 13 – GENERAL PLUMBING PIPING SYSTEMS

DESIGN STANDARD for Vibration and Seismic Controls for Plumbing Piping, and Equipment

Purpose:

The vibration and seismic controls for plumbing piping and equipment is an essential element of the plumbing systems. This design standard has the purpose of creating a consistent application of vibration and seismic control requirements throughout the Solano Community College District therefore achieving a standard of quality for maintenance and reliability throughout all renovation and new building projects.

Design Standard:

Work Included: Materials and installation of seismic restraint devices, vibration isolation systems, and related items for complete and operable systems.

- Vibration Control
 - Mechanical and electrical equipment and associated piping shall be mounted by vibration isolators as required to minimize transmission of vibrations and noise to building structures or spaces.
 - Selection of isolator type shall be as given in Table 42, Selection Guide for Vibration Isolation, Chapter 47, "Sound and Vibration Control," of the latest edition of the ASHRAE Applications Handbook.
 - All rotating equipment shall be balanced both statically and dynamically. Vibration shall not exceed the guidelines given in Table 42, Selection Guide for Vibration Isolation, Chapter 47, "Sound and Vibration Control," of the latest edition of the ASHRAE Applications Handbook.
 - To minimize alignment problems, all motors over 5 hp must be designed to be solidly attached to a common base with the driven unit.
 - In order to minimize vibration, solid sheaves and band belts shall be designed to be used in multiple V-belt driven equipment over 15 hp.

- Isolation Equipment
 - Isolation shall be designed to be stable during starting and stopping of equipment without any transverse and eccentric movement of equipment that would damage or adversely affect operation of the equipment or appurtenances.
 - Isolation shall be designed for the operating speed of the equipment.
 - Isolators, including springs, exposed to the weather shall be hot dipped galvanized after fabrication. Hot dipped zinc coating shall comply with ASTM Method A-123 and shall not be less than 2 oz per square foot. Isolators at the Solano campus shall not be designed to be exposed to the environment, if absolutely impossible; the isolators will be required to have extra corrosion protection. A request to install isolators exposed to the elements shall be submitted to Solano Community College District.
 - Isolators shall be selected and located to produce uniform loading and deflection even when equipment weight is not evenly distributed.
 - Isolation equipment includes: neoprene pads, hanger spring and neoprene, travel limited floor spring and neoprene, inertia base, flexible pipe connections, thrust limits, grommets, and snubbers.
- Seismic Control and Restraint
 - Brace or anchor plumbing equipment to resist horizontal forces acting in any direction using the CBC latest edition.
 - Provide factory fabricated seismic restrained vibration isolating components. Earthquake resistant designs for equipment to conform to the regulations of the CBC, latest edition. It is the Districts desire to use standard factory fabricated components, if they are not available, provide properly designed custom components which meet the requirements herein.
 - Design shall include earthquake bumpers to prevent excessive motion during starting and stopping of equipment and for earthquake bracing. Install bumpers after equipment is in operation to allow proper placement and alignment and ensure that bumpers are not engaged during normal system operation
 - Design the seismic bracing and anchorage of piping per Section 22 05 29
 - Design piping and ductwork seismic restraints using the document "Seismic Restraints Manual Guidelines for Mechanical Systems." Secure piping, ductwork, and the like to withstand a force in any direction.

- Design restraints to meet CBC Seismic Restraint requirements. Provide structural engineering calculations sealed by a professional engineer registered in state of California.
- Seismic Pipe Loops and Pipe Expansion
 - The design shall examine the piping system and shall design expansion compensation into the system by use of expansion loops, flexible connectors or, where space is limited, self-aligning bellows-type expansion joints.
 - The design shall design all anchors and guide supports as needed.
 - Seismic connectors for straight pipe runs to be designed with sufficient live length on each flexible leg to provide the minimum movement in directions as required by movement allowed at joint. Verify with structural total movement required in planes.

Approved Manufacturers:

- Isolation Equipment
 - Amber Booth
 - Mason
 - Vibrex
- Seismic Pipe Loops and Expansion Joints
 - Amber Booth
 - Mason
 - Metraflex
 - Vibrex

Substitutes Allowed:

Yes, if performance and quality equivalency can be evidenced.

Associated Design Standards and Specifications

- 22 05 29 - HANGERS AND SUPPORTS FOR PLUMBING PIPING AND EQUIPMENT

DESIGN STANDARD for Identification of Plumbing Piping and Equipment

Purpose:

The identification of plumbing piping equipment is an essential element of the plumbing systems. This design standard has the purpose of creating a consistent application of systems identification requirements throughout the Solano Community College District therefore achieving a standard of quality for maintenance and reliability throughout all renovation and new building projects.

Design Standard:

Work Included: Materials and installation of mechanical systems identification for complete and operable systems.

- General: Adhere to ANSI A-13.1
- Piping
 - Wrap around plastic identification. Include arrows to show normal direction of flow. For hot non-insulated pipes, install a segment of pipe insulation with appropriate piping identification.
 - Locate identification as follows wherever piping is exposed to view in occupied spaces, machine rooms, accessible maintenance spaces (above removable ceilings and the like) and exterior non-concealed locations.
 - Near each valve and control device.
 - Near each branch, excluding short take-offs for fixtures and terminal units; mark each pipe at branch, where there could be question of flow pattern.
 - At locations where pipes pass through walls, floors, ceilings, or enter non-accessible enclosures.
 - At access doors, manholes and similar access points which permit view of concealed piping.
 - At major equipment items and other points of origination and termination.

- Spaced intermediately at maximum spacing of 20' in spaces with removable ceilings and at each access door in spaces with hard ceilings.
 - Identify non potable piping and outlets.
- Color code piping: Fire protection – red; Gas – yellow; All others – white with appropriate identification.
- Valve Identification
 - Provide for brass valve tags on every valve cock and control device in each piping system; exclude check valves, valves within factory-fabricated equipment units, plumbing fixture faucets, convenience and lawn-watering hose bibs, and shut-off valves at plumbing fixtures. Rough-in connections of end-use fixtures and units. List each tagged valve in a valve schedule for each piping system.
- Plumbing Equipment Identification
 - Provide for engraved plastic laminate sign on or near each major item of plumbing equipment and each operational device. Provide signs for the following general categories of equipment and operational devices:
 - Main control and operating valves, including safety devices.
 - Meters, gauges, thermometers and similar units.
 - Fuel-burning units including boilers, furnaces, and heaters.
 - Pumps, compressors, chillers, condensers and similar motor-driven units.
 - Heat exchangers, coils, evaporators, cooling towers, heat recovery units and similar equipment.
 - Fans, blowers, primary balancing dampers and VAV boxes.
 - HVAC central-station and zone-type units.
 - Tanks and pressure vessels.
 - Air conditioning indoor and outdoor units.
 - AFD's and transmitters and Control Boxes.

Approved Manufacturers:

- Seton
- Brady

Substitutes Allowed:

Yes, if performance and quality equivalency can be evidenced.

Associated Design Standards and Specifications

- 22 05 29 - HANGERS AND SUPPORTS FOR PLUMBING PIPING AND EQUIPMENT

DESIGN STANDARD for Insulation of Plumbing Piping and Equipment

Purpose:

The plumbing systems insulation is an essential element of the plumbing systems. This design standard has the purpose of creating a consistent application of insulation requirements throughout the Solano Community College District therefore achieving a standard of quality for maintenance, energy efficiency, and reliability throughout all renovation and new building projects.

Design Standard:

Work Included: Materials and installation of insulation, jackets and accessories for a complete and operable system.

- General:
 - Adhere to the requirements of the California Energy Code – Title 24, latest edition.
 - Insulation shall be applied on clean, dry surfaces and only after tests and approvals required by the specifications have been completed.
 - All pipe insulation on piping operating below ambient temperature shall be continuous through wall and ceiling openings and sleeves.
 - Insulation on all cold surfaces must be applied with a continuous, unbroken vapor seal. Hangers, supports, anchors, etc., that are secured directly to cold surfaces shall be adequately insulated and vapor sealed to prevent condensation.
 - Specified adhesives, mastics, and coatings shall be applied at the manufacturer's recommended minimum coverage per gallon.
 - Edges of vapor barrier insulation at valve stems, instrument wells, unions, and other raw edges shall be sealed adequately to prevent moisture from penetrating the insulation.
- Fire Hazard Ratings: All insulation shall have composite (insulation jacket and adhesive used to adhere the jacket to the insulation) Fire and Smoke Hazard ratings as tested under procedure ASTM E 84, NFPA 225, and UL 723.
- Insulation Protection Shields
 - To prevent crushing of insulation, insulation protection shields shall be installed at all pipe hangers and supports. Shields shall span an arc of 180°. Provide full size diameter

hangers and shields (18 gauge minimum) for piping. Provide 18-inch long, non-compressible insulation section at insulation shields for lines 2 inches and larger.

- Insulation Jacketing
 - Provide aluminum jacketing for all piping located aboveground, outdoors.
- Piping
 - In general, piping systems shall be insulated with fiberglass piping insulation with an all-purpose jacket. Fittings, flanges, and valves shall be insulated with fiberglass inserts and premolded polyvinyl or PVC jackets.
 - Calcium silicate or high-temperature fiberglass shall be used in high temperature applications.
 - Special insulation protection shall be considered for areas subject to abuse and moisture, such as outside areas, washdown areas, public areas, and classrooms.
 - Removable insulated jackets shall be provided on all valves.
- Equipment: At a minimum, the following equipment shall be provided with insulation:
 - Hot water storage tanks
 - Heat exchangers
 - Flue pipe

Approved Manufacturers:

- Armacell LLC Armaflex
- Certainteed
- Johns Manville
- Knauf
- Owens-Corning Brady

Substitutes Allowed:

Yes, if performance and quality equivalency can be evidenced.

Associated Design Standards and Specifications

- 22 05 12 - PLUMBING PIPE AND FITTINGS

DESIGN STANDARD for General Plumbing Piping Systems

Purpose:

The plumbing piping materials are an essential element of the plumbing systems. This design standard has the purpose of creating a consistent application of plumbing piping material requirements throughout the Solano Community College District therefore achieving a standard of quality for maintenance, reliability, and energy efficiency throughout all renovation and new building projects.

Design Standard:

Work Included: Materials, installation and testing of pipe, tubing and fittings for complete and operable systems.

- Above ground soil, waste and vent piping within buildings, including soil stacks, vent stacks, horizontal branches, traps, and connections to fixtures and drains.
- Underground building drain piping including mains, branches, traps, connections to fixtures and drains, and connections to stacks, terminating at connection to sanitary sewers 5 feet outside foundation wall.
- Storm building drain piping from conductor piping and area drains to storm sewers 5 feet outside inner face of foundation wall.
- Domestic cold water piping.
- Domestic hot water piping.
- Domestic re-circulating water piping.
- Schedules:

Pipe Service	Location	Material
Potable hot, cold and hot recirculation water.	Above ground	Copper: L
Potable hot, cold, and hot recirculation water	Below ground	Copper: K



Pipe Service	Location	Material
Soil and waste, drainage	Above ground	CISP: No hub or service weight
Soil and waste, drainage	Below ground	CISP: No hub or service weight
Vents	Above and below ground	CISP: No hub
Storm drains	Above ground	CISP: No hub or service weight
Storm drains	Below ground	CISP: No hub or service weight

Approved Manufacturers:

Not Applicable

Substitutes Allowed:

Not Applicable

Associated Design Standards and Specifications

- 22 05 29 - HANGERS AND SUPPORTS FOR PLUMBING PIPING AND EQUIPMENT
- 22 05 53 - IDENTIFICATION FOR PLUMBING PIPING AND EQUIPMENT
- 22 05 12 – PLUMBING PIPE AND FITTINGS

DESIGN STANDARD for Plumbing Equipment

Purpose:

The plumbing equipment is an essential element of the plumbing systems. This design standard has the purpose of creating a consistent application of plumbing equipment requirements throughout the Solano Community College District therefore achieving a standard of quality for maintenance, water efficiency, and reliability throughout all renovation and new building projects.

Design Standard:

Work Included: Materials and installation of water heaters, circulation pumps, storage tanks, sump pumps, grease interceptors, and accessories for a complete and operable system.

- Pumps: Design, manufacture and install pumps in accordance with HI (Hydraulic Institute Standards).
- Water Heaters: Gas type with atmospheric vent. Commercial type heater, with minimum 5 year commercial warranty.
- Circulation Pumps: Provide in-line factory tested pumps, cleaned, and painted with enamel prior to shipment. Provide pumps of same type by same manufacturer.
- Sump Pumps: Submersible, heavy duty cast iron, float operated, visual/audible alarm/control panel.
- Grease Interceptors:
 - Prefabricated reinforced concrete grease interceptor structure in accordance with state and local agency code standards.
 - Coated cast iron grease interceptor with coated steel extension. Gasketed nonskid locking cover.
- Storage Tanks: Factory fabricated steel, glass lined, vertical tank with mounting supports.

Approved Manufacturers:

- Water Heaters (Gas, Storage)
 - Rheem, Ruud
 - A. O. Smith
 - State
 - Bradford-White
 - PVI
- Water Heaters (Gas, Instantaneous)
 - Takagi
 - A.O. Smith
 - Aerco
- Circulation Pumps
 - Amtrol
 - Armstrong
 - Bell & Gossett
 - Grundfos
 - Paco
 - Taco
- Sump Pumps
 - Paco
 - Hydromatic
 - Aurora
 - Grundfos
 - Peerless

Substitutes Allowed:

Yes, if performance and quality equivalency can be evidenced.

Associated Design Standards and Specifications

- 22 05 12 - PLUMBING PIPE AND FITTINGS
- 22 11 13 - GENERAL PLUMBING PIPING SYSTEMS



DESIGN STANDARD for Plumbing Fixtures

Purpose:

The plumbing fixtures are an essential element of the plumbing systems. This design standard has the purpose of creating a consistent application of plumbing fixture requirements throughout the Solano Community College District therefore achieving a standard of quality for maintenance, water efficiency, and reliability throughout all renovation and new building projects.

Design Standard:

Work Included: Materials and installation of plumbing fixtures and accessories for a complete and operable system.

- Where possible consider the use of low flow fixtures and provide means of water conservation.
- Designer shall follow all requirement to meet ADA compliance for all fixtures.
- Preferred plumbing fixtures:
 - Lavatories: White, vitreous china (coordinate other finishes with Solano Community College District), hard wired sensor faucets, no more than 0.5 GPM, provide lower flow rate where deemed possible. No battery powered faucets unless solar powered.
 - Showers: Built up, tempering valve, low flow shower head.
 - Urinals (Public): White vitreous china, wall hung, automatic flush valve (hardwired), consider low flow .125 gallon per flush or waterless urinals (coordinate use with Solano Community College District).
 - Urinals (Staff): White vitreous china, wall hung, non-automatic flush valve, consider low flow .125 gallon per flush or waterless urinals (coordinate use with Solano Community College District). No waterless urinals.
 - Water Closets (Public): White vitreous china, tankless, wall hung, 1.28 gpf, automatic flush valve (hardwired). Consider dual flush or ultra-low flow and coordinate use with Solano Community College District.
 - Water Closets (Staff): White vitreous china, tankless, wall hung, 1.28 gpf, non-automatic flush valve. Consider dual flush or ultra-low flow and coordinate use with Solano Community College District.

- Sinks: Stainless steel, ADA sink depth, 0.5 gpm flow faucet.
- Service sinks: Composite, floor mounted, faucet with hose adapter, mop holder over service sink.
- Hose bibbs: Interior located with loose key and vacuum breaker. Exterior shall be non-freeze type. Provide hose bibbs in each restroom.
- Drains: Nickel bronze floor drains with trap primer. Provide drains in all restrooms.
- Emergency showers/eyewash: Tempered water supply, provide drained system. Provide test valve.
- Drinking fountains: No cooling, stainless steel construction, dual height for ADA compliance.
- Replacement faucets: Hard wired sensor faucets, no more than 0.5 GPM, provide lower flow rate where deemed possible, match existing lavatories and/or sinks. No battery powered faucets unless solar powered.

Approved Manufacturers:

- Lavatories: Kohler, American Standard, Eljer
- Showers: Moen, Kohler, American Standard
- Urinals: Kohler, American Standard, Eljer, Zurn, Waterless, Sloan, Falcon
- Water closets: Kohler, American Standard, Eljer, Zurn
- Sinks: Kohler, American Standard, Eljer
- Service sinks: Kohler, American Standard, Eljer
- Hose bibbs: Woodford, Nibco, Chicago
- Drains: JR Smith, Zurn, Josam
- Emergency showers/eyewash: Guardian, Viking, Haws
- Roof drains: JR Smith, Zurn, Josam
- Floor drains: JR Smith, Zurn, Josam

- Floor sinks: JR Smith, Zurn, Josam
- Drinking fountains: Haws, Elkay, Oasis
- Automatic Valves: Sloan
- Faucets: Speakman, Chicago

Substitutes Allowed:

Yes, if performance and quality equivalency can be evidenced.

Associated Design Standards and Specifications

- 22 11 13 - GENERAL PLUMBING PIPING SYSTEMS
- 22 00 00 - BASIC PLUMBING SYSTEM DESIGN

End of Document

Plumbing Fixtures

L-1: Lavatory: American Standard Declyn Model 0321, 18-1/2" wide x 17" long, white vitreous china, wall mount lavatory with perforated grid drain and tailpiece for ADA compliance and Speakman model S-8801 hard wired sensor faucet, lead free, 0.50 gpm.

SK-1: Sink: Just Model SL-ADA-1921-A-GR, 19" wide x 21" long x 5-1/2" deep, stainless steel, counter mount sink with J-ADA-35 crumb cup strainer and tailpiece for ADA compliance and Chicago model 786-E2805-5ABCP gooseneck faucet with wrist blade handles, lead free, 0.5 gpm.

WC-1: Water closet: American Standard Model Madera 3461.712, white vitreous china, siphon jet, elongated bowl, floor mount. Flush valve with hard wired infrared sensor (1.28 gallons per flush), white open front seat (less cover), ADA compliant, water hammer arrestor.

UR-1: Urinal: Falcon Model F-5000, white vitreous china, wall mount, waterless cartridge technology, ADA compliant

SH-1: Shower: Moen model T8346EP15 Chrome plated single handle posi-temp handheld shower system with Moen model 8371 mixing valve (1.5 gpm). ADA compliant.

DF-1: Drinking Fountain: Haws model 1011 MS dual bowl, recessed, removable access panel, filter model 6426, ADA compliant hi-low type, 304 stainless steel, mounting frame.

MSK-1: Mop Sink: Stern Williams Corlow model SBC-1700 24"x24"x12" with 6" drop front corner, stainless steel cap on threshold, cast brass drain with stainless steel strainer, mop hanger and Chicago model 897-CP faucet with integral stops, top brace, 3/4" hose thread on spout with pail hook, vacuum breaker, 832-AA 30 inch long, heavy duty 5/8" cloth reinforced rubber hose and 18 gauge 304 stainless steel hose bracket with rubber grip.

FS-1: Floor sink: Zurn model Z1900 12"x12"x6" with acid resistant coating, flange strainer & trap primer.

FD-1: Floor drain: Zurn model FD-23215 2" cast iron body, adjustable bronze strainer head & trap primer.

SHD-1: Shower Drain: Zurn model FD2251-CI 2" cast iron body, strainer and trap primer.

DECLYN™ WALL-HUNG LAVATORY

- Wall-hung sink
- Vitreous china
- Rear overflow
- Soap depression
- Faucet ledge
Shown with 2000.101 Ceramix faucet (not included)

0321.026 With wall hanger (Illustrated)
Faucet holes on 102mm (4") centers

0321.075 For concealed arms support
Faucet holes on 102mm (4") centers ←

Nominal Dimensions:
470 x 432mm
(18-1/2" x 17")

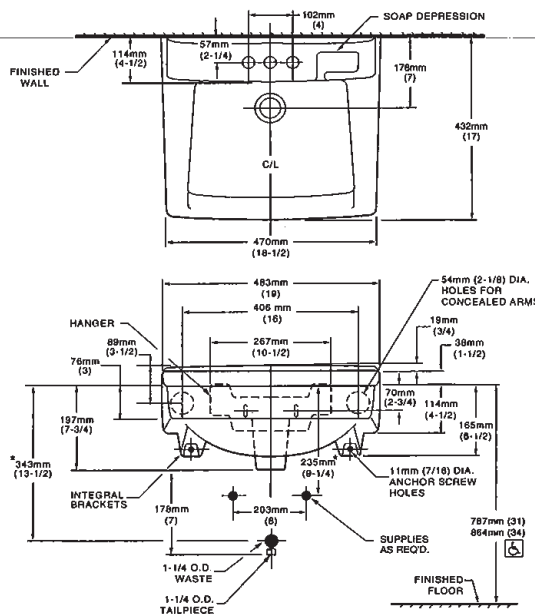
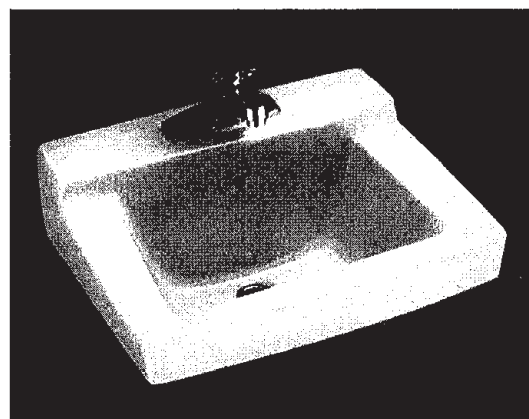
Bowl sizes:
362mm (14-1/4") wide
273mm (10-3/4") front to back
152mm (6") deep

Compliance Certifications - Meets or Exceeds the Following Specifications:
• ASME A112.19.2 for Vitreous China Fixtures

- To Be Specified:**
- Color: White Bone Silver
 - Faucet*
 - Faucet Finish:
 - Supplies:
 - 1-1/4" Trap:
 - Nipple:
 - Concealed Arms Support (by others):

* See faucet section for additional models available

MEETS THE AMERICANS WITH DISABILITIES ACT GUIDELINES AND ANSI A117.1 ACCESSIBLE AND USABLE BUILDINGS AND FACILITIES - CHECK LOCAL CODES.
Top of front rim mounted 864mm (34") from finished floor.



NOTES:
* DIMENSIONS SHOWN FOR LOCATION OF SUPPLIES AND "P" TRAP ARE SUGGESTED. PROVIDE SUITABLE REINFORCEMENT FOR ALL WALL SUPPORTS. FITTINGS NOT INCLUDED AND MUST BE ORDERED SEPARATELY.

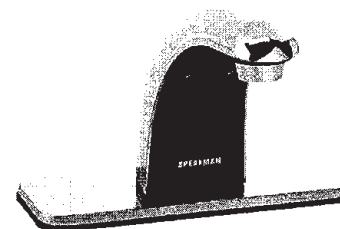
IMPORTANT: Dimensions of fixtures are nominal and may vary within the range of tolerances established by ANSI Standard A112.19.2. These measurements are subject to change or cancellation. No responsibility is assumed for use of superseded or voided pages.

SENSORFLO®

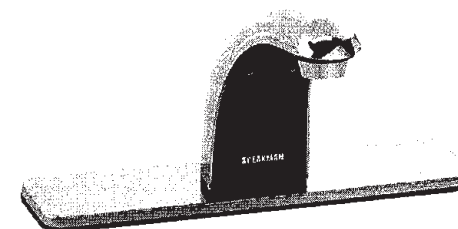
S-8800 S-8801



S-8810 S-8811



S-8820 S-8821



** The following options are not available with the "CA" option:
HS (Hose & Spray), SO, TWI, VB6, VB8, ST, SW, & TMV.

AC Powered Lavatory Faucet &



GENERAL SPECIFICATION

Polished chrome plated. Solenoid with built-in filter. UL/CSA approved transformer 120 VAC to 12 VDC with waterproof connectors. Spout consists of all metal chassis and removable cover. Vandal-resistant 60-second time out feature. Water conserving vandal-resistant flow control reduces flow to 1.5 gpm/5.7 L/min. To meet existing ASME A112.18.1/CSA B125.1 and WaterSense standards.

NOTE: Stainless steel flexible supply hose(s), 3/8" compression, to supply stop(s) not included, see options below.

S-8800
Single basin, low profile faucet.

S-8801
Single basin, low profile faucet, under counter mechanical mixer with built-in backflow check valves.

S-8810
Low profile faucet with 4" deck plate.

S-8811
Low profile faucet with 4" deck plate, under counter mechanical mixer with built-in backflow check valves.

S-8820
Low profile faucet with 8" deck plate.

S-8821
Low profile faucet with 8" deck plate, under counter mechanical mixer with built-in backflow check valves.

OPTIONS

SUFFIX	DESCRIPTION
BO	0.5 gpm flow control, vandal-resistant
CA**	No lead for CA AB1953 compliance
HS	Two (2) stainless steel flexible supply hoses to supply stops
HTS	One (1) stainless steel hose for tempered water systems (S-8800, S-8810, & S-8820 only)
LF	1.5 gpm laminar flow control outlet
LT	Less transformer
TMV-CA	Under counter thermostatic mixing valve (S-8800, S-8810, & S-8820 only)
VRS	Vandal-resistant screws for removable cover and custom wrench

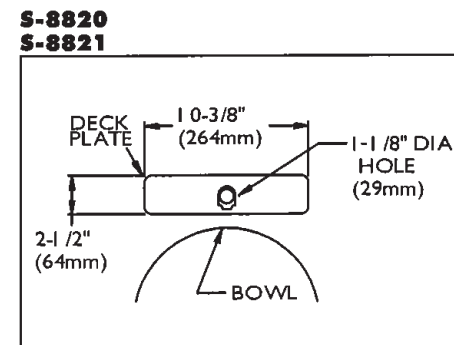
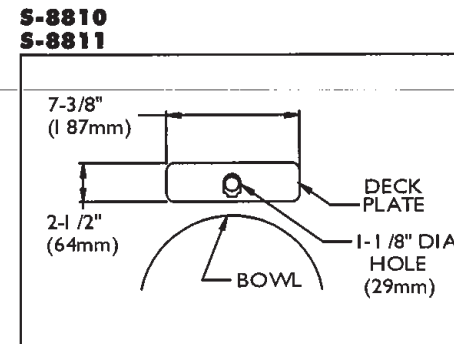
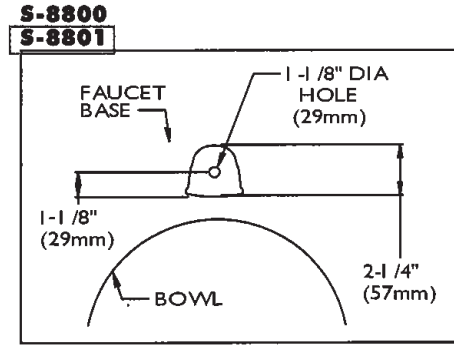
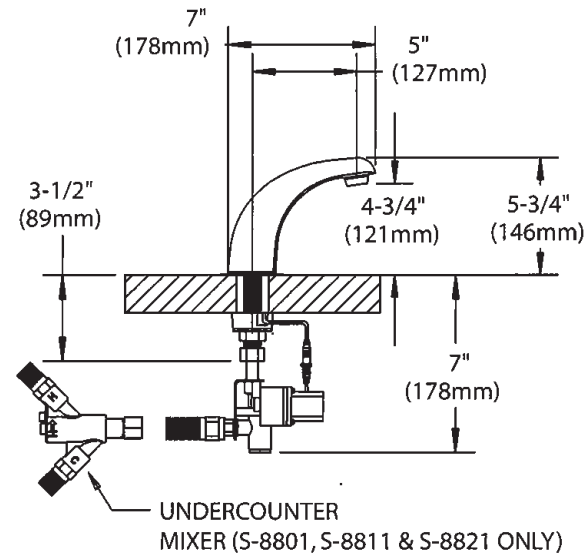
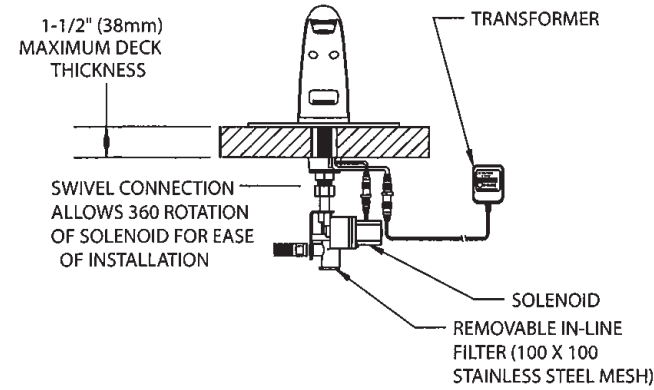
This space for Architect/Engineer approval.



Management Systems Registered to ISO 9001

Sensorflo — Registered T.M. Speakman Company
© Copyright, Speakman Company, 2013

Rough-Ins



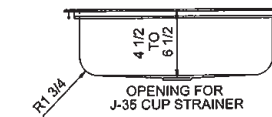
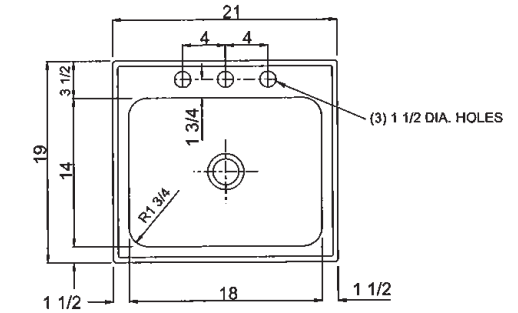
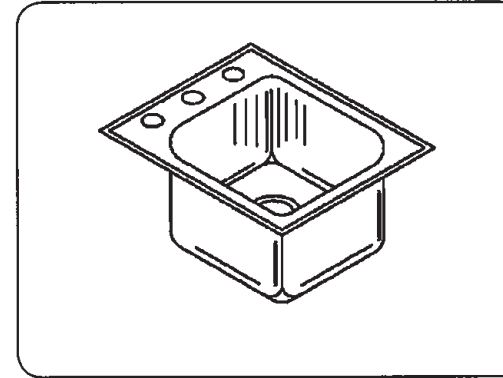
NOTE: Position faucet as close to the edge of the sink as possible. Ensure adequate clearance for wire protector, wires, washers and nut. Unless otherwise specified, all inlets are 3/8 compression with male threads. Unless otherwise specified, all dimensions are in inches and are subject to change without notice.

326



SK-1 **SL-ADA-1921-A-GR**

STYLIST GROUP
LEDGE TYPE - SINGLE BOWL
18 GAUGE



SPECIFICATION

Seamless die-drawn construction of Type 304, 18-8 stainless steel. Interior and top surfaces polished to a non-porous Hand-Blended Just Finish with highlighted bowl rim. Fully coated underside insulated for sound and reduces condensation. Straight-sided compartment with radius corners provides greater capacity. Self-rimming top mount Grip-Rim Plus with stainless steel mounting channels. Conforms to ASME/ANSI A112.19.3M. Certified conformance with ASME A112.19.3/CSA B45.4, Canadian Standards (CSA), Uniform Plumbing Code (UPC) and International Plumbing Code (IPC) and Americans with Disabilities Act(ADA). Drain punch 3-1/2" centered for Just J-35 drain.

TYPE 316 STAINLESS STEEL (Check if applicable)

CUTOUT DIMENSIONS		
Model Number	Front-to-Back	Left-to-Right
SL-ADA-1921-A-GR	18-1/4	20-1/4

APPROVED FOR MANUFACTURING

MODEL NO.: SL-ADA-1921-A-GR QTY: _____

JOB NAME: SCC Bldg 600

TAG/ITEM: SK-1

CUSTOMER: _____

SIGNATURE: _____

JUST MANUFACTURING COMPANY 9233 KING STREET, FRANKLIN PARK, ILLINOIS, 60131-2111
PH: 847-678-5150 . FAX: 847-678-6817 . E-MAIL: custserv@justmfg.com . www.justmfg.com

© 2007-JUST MFG-REVISED-1/2009

FAUCET PUNCHING - MUST BE SPECIFIED

(1) Hole Centered

(2) Holes on 4" centers

(3) Holes on 4" centers (illustrated)

Alternate Punching: Faucet Model: _____ Punching Required: _____

DEPTH - MUST BE SPECIFIED:

4 1/2" DEEP 5" DEEP 5-1/2" DEEP 6" DEEP 6-1/2" DEEP

DRAIN LOCATION - MUST BE SPECIFIED:

CENTER CENTER REAR LEFT REAR RIGHT REAR



JUST MFG. COMPANY CONTINUES TO MAKE QUALITY AND FUNCTIONALITY A MARK OF THE JUST PRODUCT LINE. TO DO SO REQUIRES THAT WE RESERVE THE RIGHT TO CHANGE PRODUCT INFORMATION WITHOUT NOTICE. DIMENSIONS MAY VARY AND ARE SUBJECT TO CHANGE WITHOUT NOTICE. NO RESPONSIBILITY IS ASSUMED FOR USE OF SUPERSEDED OR VOIDED DATA. FOR THE MOST CURRENT AND ACCURATE INFORMATION REGARDING THE COMPLETE LINE OF JUST SINKS, FAUCETS AND DRAINS, CLICK ON THE SPEC LINE DRAWINGS LINK ON OUR WEB SITE AT www.justmfg.com

SUBMITTAL DATA

MECHANICAL FAUCETS

786-E2805-5ABCP

SK-1



Manual and Metering Faucets

Product Type

Deck Mounted 8" Fixed Centers Concealed Hot and Cold Water Sink Faucet

Features & Specifications

- 8" Fixed Centers
- 5-1/4" Rigid / Swing Gooseneck Spout
- 0.5 GPM (1.9 L/min) Vandal Proof Non-Aerating Spray Outlet
- 4" Wristblade Handle
- Quatern Compression Operating Cartridge
- 1/2" NPSM Supply Inlets and Coupling Nut for 3/8" or 1/2" Flexible Riser
- ECAST® design provides durable brass construction with total lead content equal to or less than 0.25% by weighted average
- CFNow! Item Ships in 5 Days

Performance Specification

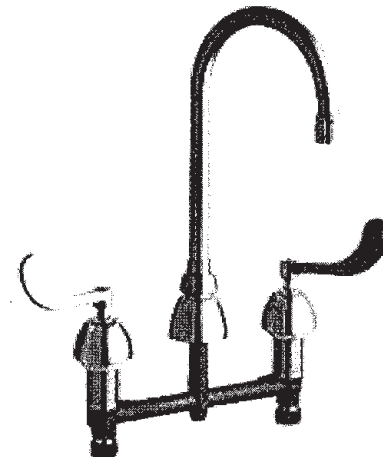
- Rated Operating Pressure: 20-125 PSI
- Rated Operating Temperature: 40-140°F

Warranty

- Lifetime Limited Faucet Warranty
- 5-Year Limited Cartridge Warranty
- 1-Year Limited Finish Warranty

Codes & Standards

- ASME A112.18.1/CSA B125.1
- Certified to NSF/ANSI 61, Section 9 by CSA
- California Health and Safety Code 116875 (AB1953-2006)
- Vermont Bill S.152
- NSF/ANSI 372 Low Lead Content
- ADA ANSI/ICC A117.1
- CALGreen



ECAST

ECAST products are intended for installation where state laws and local codes mandate lead content levels or in any location where lead content is a concern.

Job Name _____

Item Number _____

Section/Tag _____

Model Specified _____

Architect _____

Engineer _____

Contractor _____

Submitted as Shown Submitted with Variations

Date _____

2100 South Clearwater Drive
Des Plaines, IL
P: 847/803-5000
F: 847/803-5454
Technical: 800/TEC-TRUE
www.chicagofaucets.com



Last Revision: 03/25/2013 • Date Printed: 09/4/2013 • Product specifications subject to change without notice

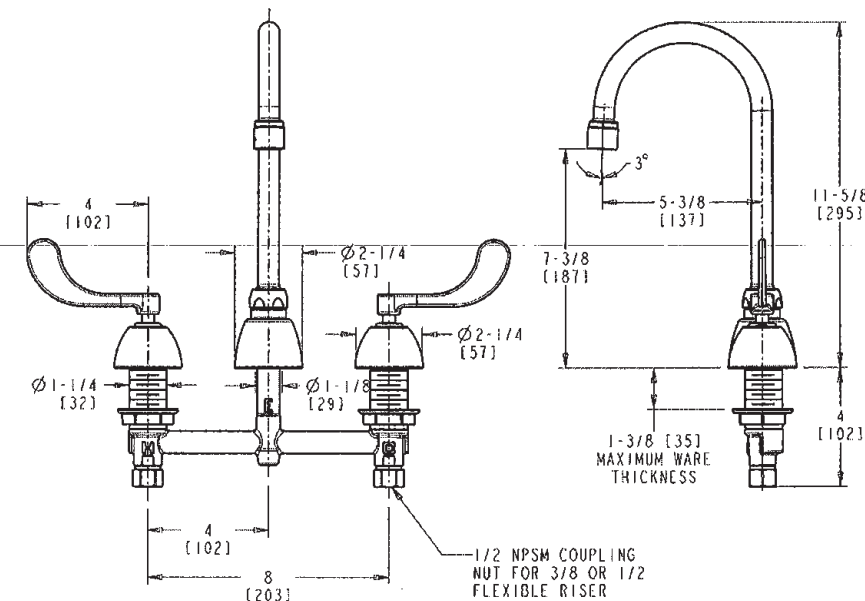
786-E2805-5ABCP

Manual and Metering Faucets



Architect/Engineer Specification

Chicago Faucets No. 786-E2805-5ABCP, Deck Mounted 8" Fixed Centers Concealed Hot and Cold Water Sink Faucet, Chrome Plated solid brass construction. 5-1/4" Center to Center Rigid / Swing Gooseneck Spout. 0.5 GPM (1.9 L/min) Vandal Proof Non-Aerating Spray Outlet. 4" Metal Wristblade handle(s) with Sixteen Point Tapered Broach and Secured Blue and Red Buttons. Quatern™ rebuildable compression cartridge, opens and closes 90°, closes with water pressure, features square tapered stem. 1/2" NPSM Supply Inlets and Coupling Nut for 3/8" or 1/2" Flexible Riser. ECAST® construction with less than 0.25% lead content by weighted average. CALGreen Compliant. This product meets ADA ANSI/ICC A117.1 requirements and is tested and certified to industry standards: ASME A112.18.1/CSA B125.1, Certified to NSF/ANSI 61, Section 9 by CSA, California Health and Safety Code 116875 (AB1953-2006), Vermont Bill S.152, NSF/ANSI 372 Low Lead Content, and California Green Building Standards Code (CALGreen).



Operation and Maintenance

Installation should be in accordance with local plumbing codes. Flush all pipes thoroughly before installation. After installation, remove spout outlet or flow control and flush faucet thoroughly to clear any debris. Care should be taken when cleaning the product. Do not use abrasive cleaners, chemicals or solvents as they can result in surface damage. Use mild soap and warm water for cleaning and protecting the life of Chicago Faucet products. For specific operation and maintenance refer to the installation instructions and repair parts documents that are located at www.chicagofaucets.com.

Chicago Faucets, member of the Geberit Group, is the leading brand of commercial faucets and fittings in the United States, offering a complete range of products for schools, laboratories, hospitals, office buildings, food service, airports and sport facilities. Call 1.800.TECTRUE or 1.847.803.5000 Option 1 for installation or other technical assistance.



Last Revision: 03/25/2013 • Date Printed: 09/4/2013 • Product specifications subject to change without notice

2100 South Clearwater Drive
Des Plaines, IL
P: 847/803-5000
F: 847/803-5454
Technical: 800/TEC-TRUE
www.chicagofaucets.com



WC-1 **MADERA™ FloWise® 16-1/2" HIGH 1.28 GPF FLUSHOMETER TOILET SYSTEM**

BARRIER FREE

with EVERCLEAN®
SELECTRONIC® EXPOSED AC FLUSH VALVE

MADERA™ FloWise® 16-1/2" HIGH 1.28 GPF FLUSHOMETER TOILET SYSTEM with EVERCLEAN®

- 3461.712 1.28 gpf 16-1/2" High Top Spud Bowl and Selectronic® Exposed AC Flush Valve

BOWL:

- Floor mount elongated flushometer valve toilet
- Vitreous china
- High Efficiency, Low Consumption. Operates in the range of 1.1 gpf to 1.6 gpf (4.2 Lpf to 6.0 Lpf)
- Permanent EverClean® surface inhibits the growth of stain- and odor-causing bacteria, mold, and mildew on the surface
- 16-1/2" rim height for accessible application
- Powerful direct-fed siphon jet action
- Fully glazed 2-1/8" trapway
- Condensation channel
- 10" or 12" rough-in
- 10" x 12" water surface area
- 1-1/2" inlet spud
- 100% factory flush tested
- Less toilet seat
- Model 3461.001



SEE REVERSE FOR ROUGH-IN DIMENSIONS

SELECTRONIC® FLUSH VALVE:

- Electronic flush valve with Selectronic® proximity system for hygienic "Hands Free" operation
- Self-Cleaning Piston with integral wiper spring helps prevent clogging and reduces maintenance
- Piston operation delivers superior flush accuracy and repeatability
- Fully Mechanical Manual Override - allows valve to flush during a power failure
- Fail-Safe Operation - valve automatically closes, and does not need to be reset, on loss of power or water pressure
- Adjustable Sanitary Flush - valve automatically flushes after 24 hours of non-use to clean fixture and maintain trap seal
- Chemical resistant EPDM seals are unaffected by chloramines
- Sensor & electronic controls are fully enclosed and water resistant
- Range can be adjusted manually or with optional remote control
- Includes UL approved hardwired AC transformer
- Input Voltage: 100 - 250 VAC, 50 / 60 Hz. Output Voltage: 6 VDC
- Adjustable tailpiece for rough-in flexibility
- Can be installed left or right hand
- Model 6067.121.002

Includes:

- 047007-0070A Inlet Spud (furnished with bowl)
- 481310-100 2 Bolt caps with retainers (furnished with bowl)
- Inlet includes 1" I.P.S. angle stop with back-flow protection, and vandal-resistant cap
- 1" Sweat solder kit, cover tube and wall flange
- Outlet includes 1-1/2" vacuum breaker with spud coupling and flange

High-Efficiency Toilet System

- 20% water savings when compared to 1.6 gpf toilet systems

System MaP Score:

- 1000 grams of miso @ 1.28 gpf

Operating Pressure:

- Overall Range: 20-125 psi**
- Recommended: 25 psi (flowing)-80 psi (static)
- ** Water pressure over 80 psi is not recommended for most plumbing fixtures.

Flow Requirement:

- 25gpm (94.6 L/min.)

Nominal Fixture Dimensions:

- 718 x 356 x 419mm (28-1/4" x 14" x 16-1/2")

To Be Specified:

- Color: White
- Seat:
 - American Standard #5901.100 Heavy duty open front less cover
 - American Standard #5905.100 Extra heavy duty open front less cover



MADERA™ FloWise® 16-1/2" HIGH 1.28 GPF FLUSHOMETER TOILET SYSTEM

BARRIER FREE

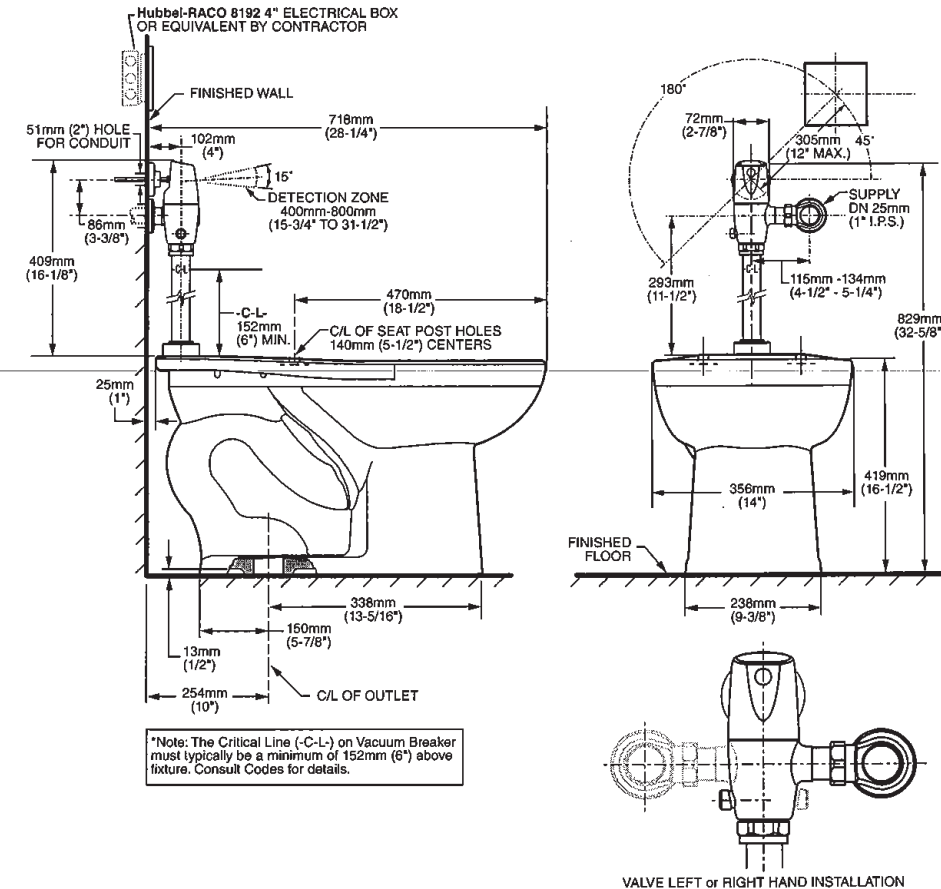
with EVERCLEAN®
SELECTRONIC® EXPOSED AC FLUSH VALVE

Fixture Compliance Certifications - Meets or Exceeds the Following Specifications:

- ASME A112.19.2-2008 / CSA B45.1-08 for Vitreous China Fixtures

Valve Listings:

- ASSE 1037
- ANSI/ASME A112.19.2
- ADA Compliant

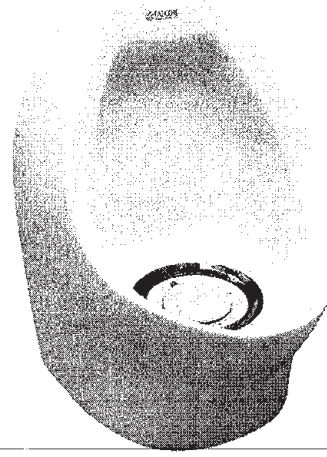


MEETS THE AMERICANS WITH DISABILITIES ACT GUIDELINES AND ANSI A117.1 REQUIREMENTS FOR ACCESSIBLE AND USABLE BUILDING FACILITIES - CHECK LOCAL CODES.

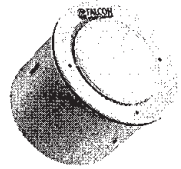
NOTES: TO COMPLY WITH AREA CODE GOVERNING THE HEIGHT OF VACUUM BREAKER ON THE FLUSHOMETER VALVE, THE PLUMBER MUST VERIFY DIMENSIONS SHOWN FOR SUPPLY ROUGHING. THIS TOILET DESIGNED TO ROUGH-IN AT A MINIMUM DIMENSION OF 254MM (10") AND A MAXIMUM DIMENSION OF 305MM (12") FROM FINISHED WALL TO C/L OF OUTLET.

IMPORTANT: Dimensions of fixtures are nominal and may vary within the range of tolerances established by ANSI Standard A112.19.2. These measurements are subject to change or cancellation. No responsibility is assumed for use of superseded or voided pages.

MODEL F-5000 SPECIFICATIONS UR-1



**WATERFREE URINAL
VITREOUS CHINA**



SEALED CARTRIDGE

DESCRIPTION

The Falcon model F-5000 is a vitreous china wall hung, wall outlet waterfree urinal. It requires no flush valve or water supply, and plumbs to standard drain connections. The F-5000 utilizes a replaceable sealed locking cartridge, with bayonet tabs, is made of recyclable ABS plastic and utilizes a 100% biodegradable liquid sealant.

SPECIFICATIONS

- Vitreous china fixture
- Housing (H-1, Mod. 3)
- Cartridge kit*
- One piece wall bracket with anchors
- Uni-coupler
- Drain line test cap
- Instruction sheet

*Additional cartridges sold separately

COLORS

Standard white; available in other colors

NOMINAL DIMENSIONS (W x H x D)

13 x 19.625 x 14 inches [330 x 498 x 356 mm]

APPROXIMATE WEIGHT

27 lbs. [12.3 kg]

COMPLIANCE CERTIFICATIONS

Meets ANSI/ASME A112.19.19-2006 for vitreous china non-water urinals. Meets the American Disabilities Act guidelines and ANSI A117.1 for accessible and usable buildings and facilities. Complies with International Plumbing Code and National Standard Plumbing Code.

HOUSING

The factory installed housing is comprised of a bowl with a tailpiece and a mounting flange of 316 Stainless Steel. It is sealed into the bowl drain opening by a profile gasket made of a synthetic rubber. The housing and gasket are compressed into the drain opening by the installation of a retaining nut, and a friction washer.

CARTRIDGE KIT

The patented cartridge is engineered to last an average of three to four months in typical installations and to receive urine through drain holes. Urine passes through an immiscible layer of biodegradable sealant, continues through a siphon trap system, and flows out through a baffle to prevent the loss of sealant. A discharge tube in the housing directs the flow of urine into the building drain system. The cartridge is designed as a replaceable component when its function has been exhausted.

DRAIN COUPLER

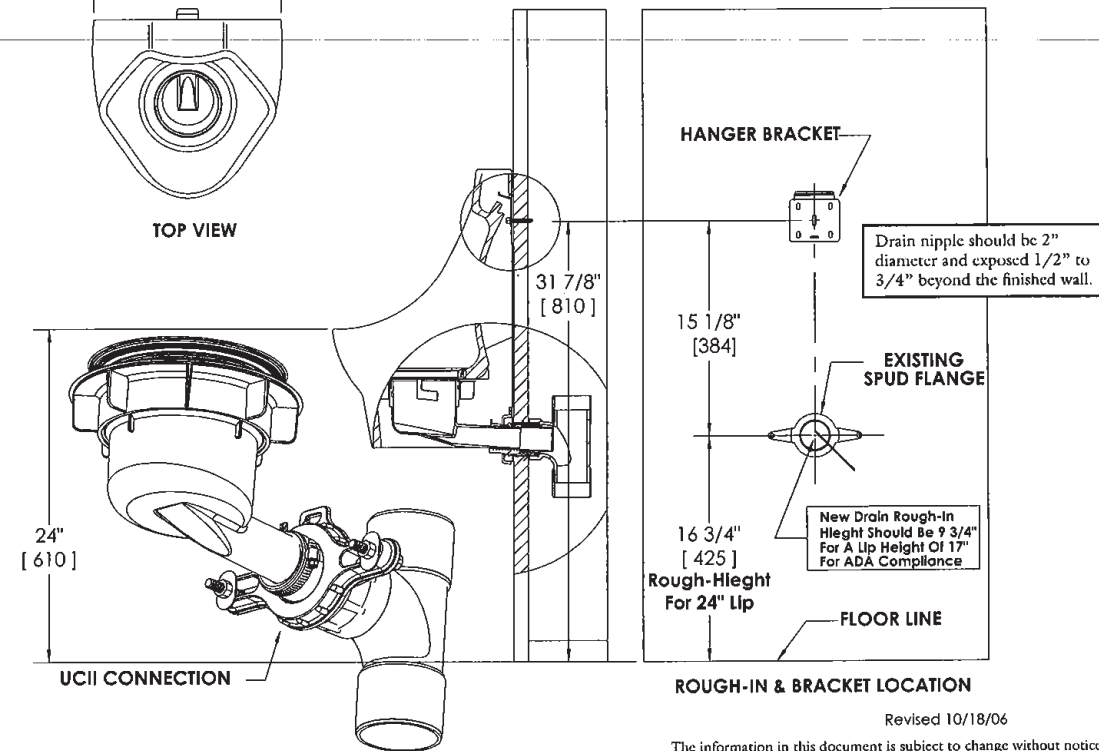
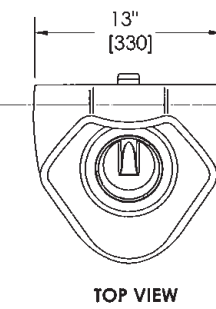
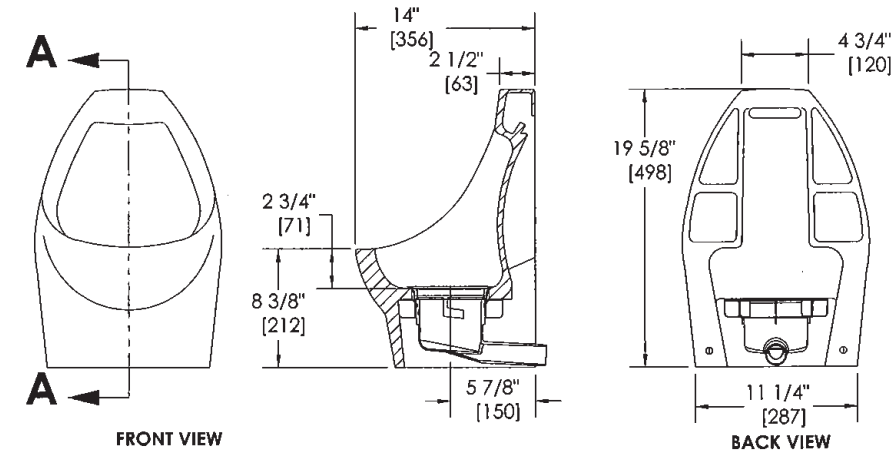
The housing is connected to the building drain system by means of the Falcon Uni-coupler. The coupler conforms to NSF 14 for plastic pipes and fittings. It is designed to be used in both retrofit and new installations. It offers a variety of configurations which allow it to couple to most existing drain openings.

DRAIN CONNECTION AND MATERIAL

Installs on standard 2-inch drain connections with spud flange or threaded nipple. Suitable DWV materials include cast iron, galvanized steel, ABS, and PVC. Waterfree urinals are not recommended for installation on copper DWV due to copper's susceptibility to corrosion.

The information in this document is subject to change without notice.

MODEL F-5000 SPECIFICATIONS



Falcon Waterfree Technologies, LLC
Tel: 866.275.3718 (toll-free) • Fax: 616.954.3579 • info@falconwaterfree.com

www.falconwaterfree.com

© Copyright 2008 Falcon Waterfree Technologies, LLC. All rights reserved.

012 (07/08)



Specifications

DESCRIPTION

- Metal and brass construction with Chrome plated finish, also in Classic Brushed Nickel (CBN) finish
- Pressure balancing cycle valve
- Contains: hand-held shower, with non-positive pause, 30° slide bar, drop ell, vacuum breaker, 69" metal hose and mounting hardware
- **Slide bar is NOT DESIGNED TO BE A GRAB BAR**
- Supplied with vandal resistant screws
- Quick cleaning rubber nozzles

OPERATION

- Temperature valve has ADA compliant lever style handle
- Handle operates counterclockwise through a 270° arc with off at 6 o'clock, and maximum hot at the 9 o'clock position. Shut off in clockwise direction
- Adjustable temperature limit stop
- Pressure balancing mechanism maintains selected discharge temperature to ± 3.6°
- Single function spray pattern
- Easy to operate pause button (reduces the flow of water to a trickle)

FLOW

- T8346 (2.5gpm/9.5 lpm) - Chrome finish
- T8346CBN (2.5gpm/9.5 lpm) - CBN finish
- T8346EP15 (1.5gpm/5.7 lpm) - Chrome finish; **WaterSense® Certified**
- T8346EP15CBN (1.5gpm/5.7 lpm) - CBN finish; **WaterSense® Certified**

CARTRIDGE

- Pair with a brass Posi-Temp rough-in valve:
- 8370HD*: 1/2" CC connection without integral stops
- 8371HD*: 1/2" CC connection with integral stops
- 8372HD*: 1/2" IPS connection with integral stops
- 8373HD*: 1/2" PEX connection with integral stops
- 8374HD*: 1/2" CPVC connection with integral stops
- 8375HD*: 1/2" UPONOR connection with integral stops
- *Includes the 1222HD Brass Posi-Temp Cartridge
- Accommodates back to back installations

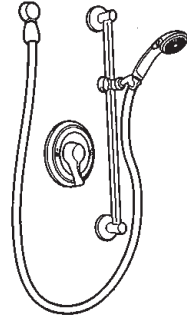
STANDARDS

- Third party certified to WaterSense® (only applies to 1.5 gpm) ASME A112.18.1/CSA B125.1 and all applicable requirements referenced therein

- **ADA** ♿ for lever handle

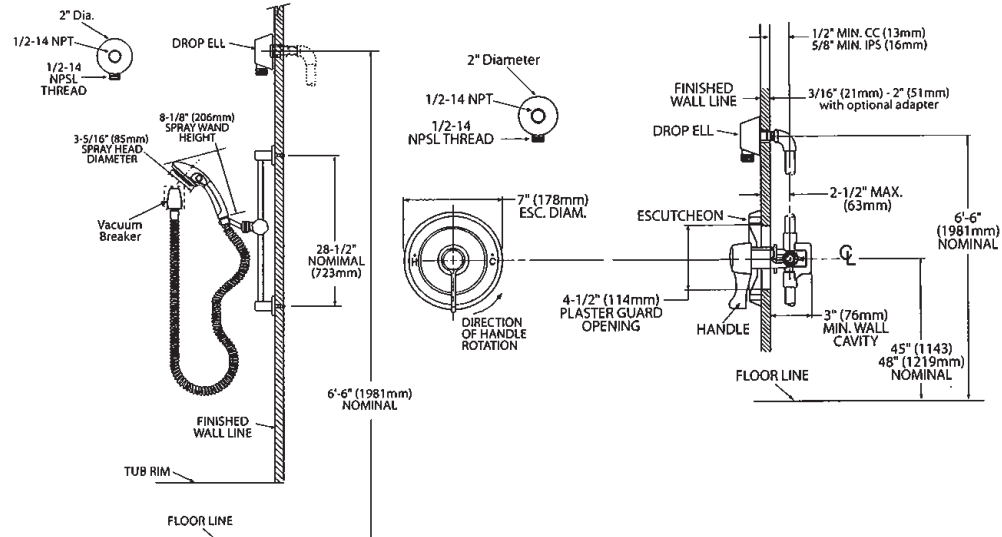
WARRANTY

- Warranted for 5 years against material or manufacturing defects



Single-Handle Posi-Temp Handheld Shower System

Model: T8346, T8346CBN



*Refer to (ADAAG) guidelines or local codes for proper ADA installation.

CRITICAL DIMENSIONS

(DO NOT SCALE)

MOEN SPECIFIER SERVICES 1-800-321-8809 Ext. 2158

www.moen.com

Rev. 11/12

FEATURES & BENEFITS

BACK PANEL

Stainless steel back panel helps to protect the wall from inadvertent splashing, and its decorative satin finish increases location visibility and completes the fountain's attractive appearance.

QUALITY CONTROL

Both fountains are pre-built and fully water and pressure tested to ensure no leaks and proper function for reduced installation time and added peace of mind.

CONSTRUCTION

18 gauge Type 304 Stainless Steel swirl design bowl, 14 gauge Type 304 Stainless Steel bracket, and a vandal-resistant bottom plate provides a long lasting unit with added peace of mind.

BUBBLER HEAD

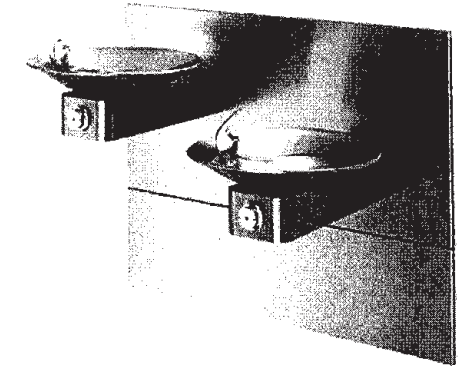
Polished chrome-plated brass bubbler head with integral laminar flow prevents splashing and provides a superior flow pattern. The integral basin shank and inserted roll pin adds vandal resistance strength to the design, and the shielded angled stream orifice produces a steady sanitary source of water.

MOUNTING

Galvanized frame and 10 gauge surface plate provide the maximum mounting strength for the 'Hi-Lo' MS style Haws drinking fountains.

PUSH BUTTON

With its patented (Pat. # 6,981,692) stainless steel, push-button activated valve assembly which allows for front access stream adjustment as well as cartridge and strainer access, this fountain offers 100% lead free waterways. The valve works at an operating pressure range of 30 to 90 psi (2.1 to 6.2 bar).



SPECIFICATIONS

Model 1011MS "Hi-Lo" wall mounted barrier-free drinking fountain shall include dual 18 gauge Type 304 Stainless Steel satin finish basins with integral swirl design, 14 gauge Type 304 Stainless Steel wall bracket, 100% lead-free waterways, push-button operated stainless steel valves with front-accessible cartridge and flow adjustment, polished chrome-plated brass vandal-resistant bubbler heads with integral laminar anti-squirt flow, chrome-plated brass vandal-resistant waste strainers, vandal-resistant bottom plates, stainless steel satin finish back and access panels allowing for front access of P-trap and stop, in-wall mounting frame, high and low fountain mounting levels, and 1-1/4" O.D. (3.2 cm) waste pipes. REQUIRES MODEL MTGFR.DF2 PRICED SEPARATELY.

OPTIONS

- ➔ Filter: Model 6426, 12" x 2" (30.5 x 5.1 cm), in-line lead removal element that reduces lead from incoming water supply.
- Chiller: Model HCR8, 8 gph (30.3 l) remote water chiller provides instantaneous cooling to meet a continuous demand for chilled water.
- Cone Touch Skirt: Model SK3, satin finish stainless steel cone touch skirt for installation on high unit to comply with ADA protruding objects guidelines.

To see all options for this model, visit www.hawsco.com

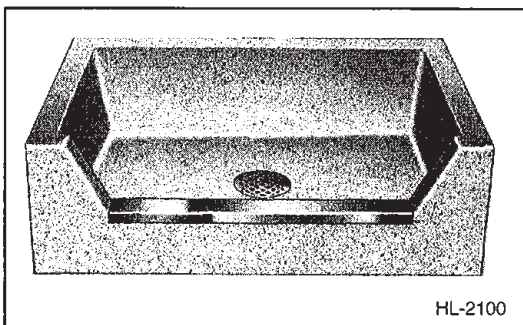
APPLICATIONS

Perfect for either public or private indoor/outdoor settings, Model 1011MS is a great fit in areas where aesthetics are important to the overall appeal of the architecture. This series is precisely mounted, making it a nice addition to any surrounding. Beautiful satin finish helps to maintain the fountain's overall appeal so it always remains looking as new as it did when it was installed. Specifically, this type of wall mounted drinking fountain may be placed in settings such as: schools and other locations in and around office buildings where the temperature remains above freezing.

Model meets all current Federal Regulations for the disabled including those in the Americans with Disabilities Act. Haws manufactures drinking fountains and electric water coolers to be lead-free by all known definitions including NSF/ANSI Standard 61, Section 9, NSF/ANSI 372, California Proposition 65, and the Federal Safe Drinking Water Act. Product is compliant to California Health and Safety Code 116875 (AB 1953-2006) as evaluated by CSA International.

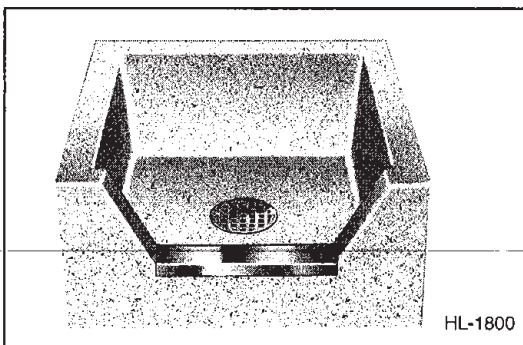


1455 Kleppe Lane :: Sparks, NV 89431 :: p. 775.359.4712 :: f. 775.359.7424 :: e. info@hawsco.com :: www.hawsco.com :: 04 September, 2013
DISCLAIMER: Continued product improvements make specifications subject to change without notice. Check www.hawsco.com for the latest product information and updates.



HL-2100

HiLow®



HL-1800

6" FRONT DROP
WITH STAINLESS STEEL CAP

MODEL	SIZE
HL-1800	24"x24"x12"
HL-1900	32"x32"x12"
HL-2000	36"x36"x12"
HL-2100	36"x24"x12"

6" FRONT DROP
WITH STAINLESS STEEL CAP ALL SIDES

MODEL	SIZE
HL-1810	24"x24"x12"
HL-1910	32"x32"x12"
HL-2010	36"x36"x12"
HL-2110	36"x24"x12"

6" FRONT DROP
WITH STAINLESS STEEL CAP

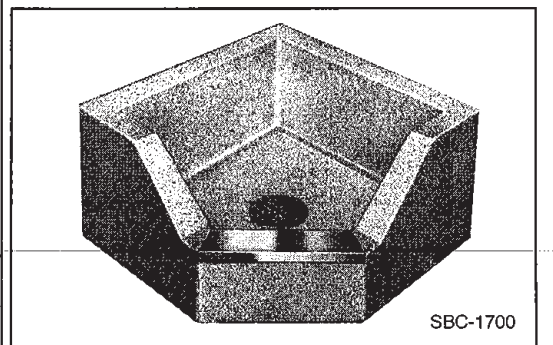
MODEL	SIZE
SBC-1700	24"x24"x12"
SBC-1702	24"x24"x12"
SBC-1725	32"x32"x12"
SBC-1750	36"x36"x12"

*NOTE: 2 tiling flanges extending 1" above shoulder on 2 sides.

MSK-1

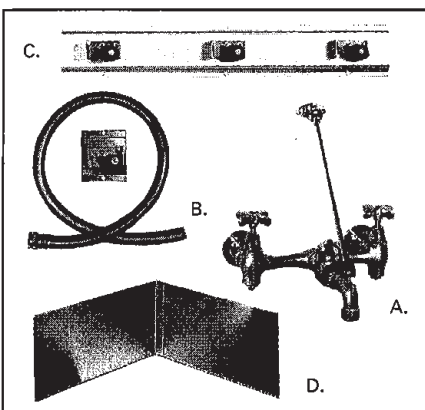
STERN
WILLIAMS
HiLow® CORLOW®
MOP SERVICE BASINS
ARCHITECTURAL
SPECIFICATIONS

CORLOW®



SBC-1700

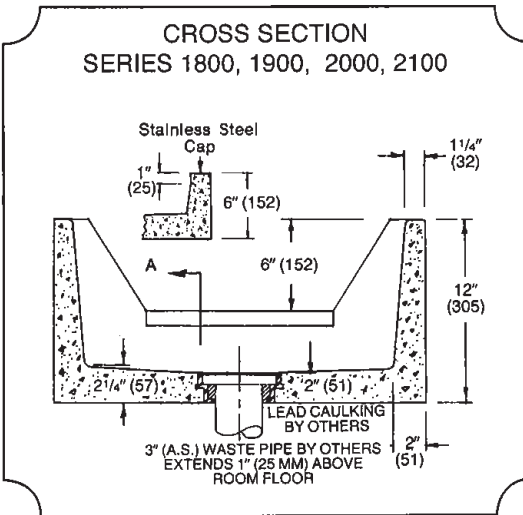
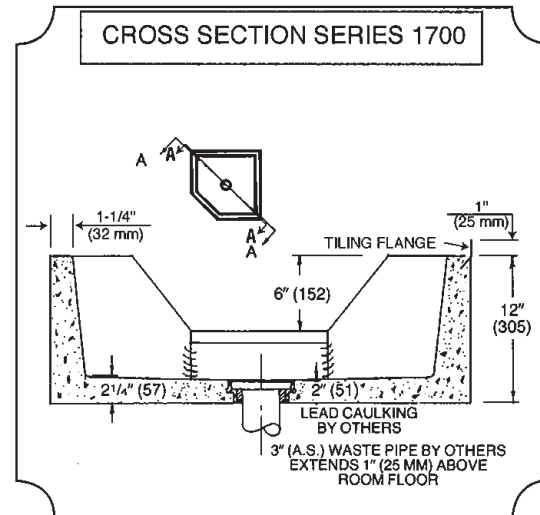
Model No. () Size (), as manufactured by Stern-Williams Co., Inc. Shoulders shall not be less than 9-3/4" high inside measurement, and not less than 1-1/4" wide. All models have 6" drop at threshold. Drain shall be cast brass with stainless steel strainer cast integral and shall provide for a caulked lead connection not less than 1" deep to a 3" pipe. Receptor composed of pearl gray marble chips and white Portland cement ground smooth, grouted and sealed to resist stains. Stainless steel cap of one piece 20 ga. 302 stainless steel cast integral on threshold.



QUALITY OPTIONAL FITTINGS

- A. **T-10-VB** Mop-Service sink fitting with vacuum breaker, adjustable top brace, 3/4" hose thread on spout with bucket hook inlets 8" on center, chrome finish.
- T-15 VB** same as above with polished chrome finish.
- B. **T-35** Hose and wall hook. Hose 36" long, with 3/4" chrome couplings. Wall bracket of stainless steel.
- C. **T-40** Stainless Steel Mop Hanger of stainless steel with #4 finish. . . 24" long, with 3 rubber spring loaded grips.
- D. **BP** Splash Catcher Panels of 20 ga. type 304 stainless steel.

JOB ARCHITECT
LOCATION ENGINEER



ROUGH-IN SERIES 1800, 1900, 2000, 2100

MODEL	A		B		C	
	IN	MM	IN	MM	IN	MM
1800	24	610	24	610	12	305
1900	32	813	32	813	16	406
2000	36	915	36	915	18	457

MODEL	A		B		C	
	IN	MM	IN	MM	IN	MM
1810	24	610	24	610	12	305
1910	32	813	32	813	16	406
2010	36	915	36	915	18	457

MODEL	A		B		C		D	
	IN	MM	IN	MM	IN	MM	IN	MM
2100	24	610	36	915	12	305	18	457
2110	24	610	36	915	12	305	18	457

ROUGH-IN MODEL 1700 SERIES

MODEL	A		B		C	
	IN	MM	IN	MM	IN	MM
SBC-1700	24	610	24	610	12	305
SBC-1702	24	610	24	610	12	305
SBC-1725	32	813	32	813	12	305
SBC-1750	36	915	36	915	12	305

Note: All dimensions subject to manufacturing variance of plus or minus 1/4" (6 MM).

STERN-WILLIAMS CO., INC. • P.O. Box 8004 • Shawnee Mission, Kansas 66208 USA
Telephone: (913) 362-5635 • Fax: (913) 362-6689 • Web address: www.sternwilliams.com

NO. HC 9-02

MECHANICAL FAUCETS

897-CP

MSK-1



Manual and Metering Faucets

Product Type

Wall Mounted 8" Body, Adjustable Arms 7 5/8" - 8 3/4" Hot and Cold Water Sink Faucet

Features & Specifications

- 8" Body, Adjustable Arms 7 5/8" - 8 3/4"
- 2-3/8" Lever Handle
- Quaturn Compression Operating Cartridge
- 1/2" NPT Adjustable Female Union Nut Supply Arms
- 3/4" Male Hose Thread Outlet
- Integral Stop Valves for Servicing the product
- Atmospheric Vacuum Breaker, Not Intended for Continuous Pressure Applications
- Vacuum Breaker Spout with Pail Hook and Wall Brace
- Atmospheric Vacuum Breaker, Not Intended for Continuous Pressure Applications
- CFNow! Item Ships in 5 Days

Job Name _____

Item Number _____

Section/Tag _____

Model Specified _____

Architect _____

Engineer _____

Contractor _____

Submitted as Shown Submitted with Variations

Date _____

Performance Specification

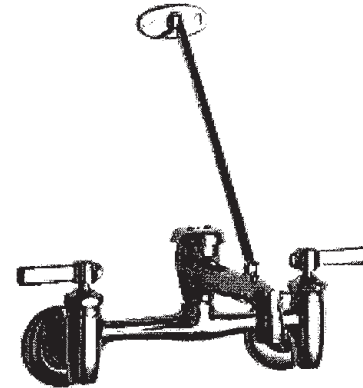
- Rated Operating Pressure: 20-125 PSI
- Rated Operating Temperature: 40-140°F

Warranty

- Lifetime Limited Faucet Warranty
- 5-Year Limited Cartridge Warranty
- 1-Year Limited Finish Warranty

Codes & Standards

- ASME A112.18.1/CSA B125.1
- ADA ANSI/ICC A117.1



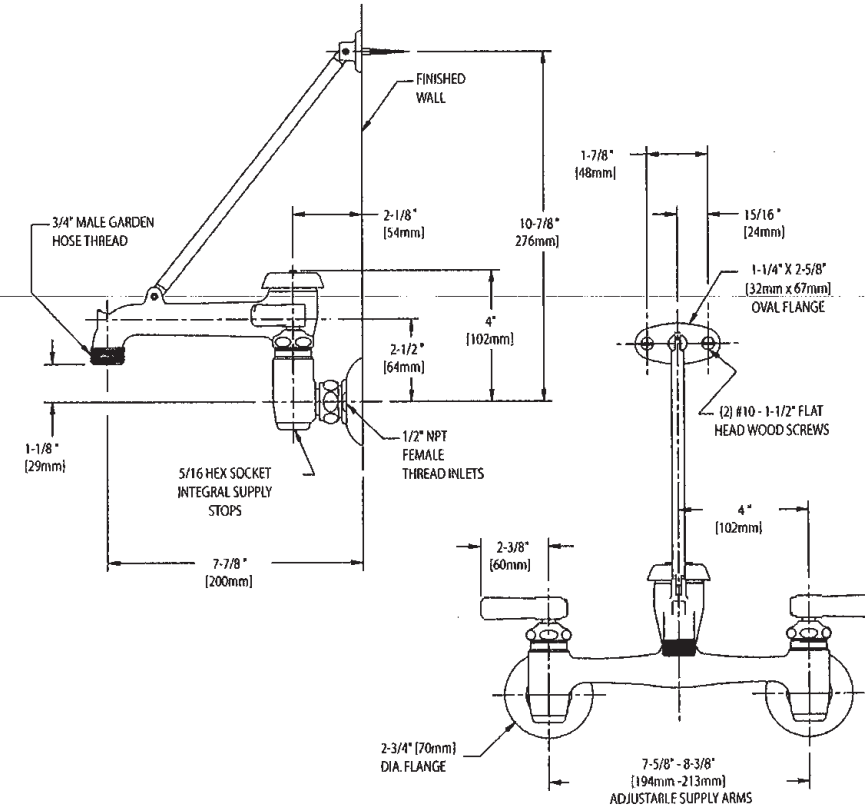
897-CP

Manual and Metering Faucets



Architect/Engineer Specification

Chicago Faucets No. 897-CP, Wall Mounted 8" Body, Adjustable Arms 7 5/8" - 8 3/4" Hot and Cold Water Sink Faucet, Chrome Plated solid brass construction. Vacuum Breaker Spout with Pail Hook and Wall Brace. 2-3/8" Metal Lever handle(s) with Eight Point Tapered Broach and Secured Blue and Red Buttons. Quaturn™ rebuildable compression cartridge, opens and closes 90°, closes with water pressure, features square tapered stem. 1/2" NPT Adjustable Female Union Nut Supply Arms. 3/4" Male Hose Thread Outlet. Integral Stop Valves for Servicing the product. Atmospheric Vacuum Breaker, Not Intended for Continuous Pressure Applications. Atmospheric Vacuum Breaker, Not Intended for Continuous Pressure Applications. Secondary Control Valve: Vacuum Breaker Spout with Pail Hook and Wall Brace.



Operation and Maintenance

Installation should be in accordance with local plumbing codes. Flush all pipes thoroughly before installation. After installation, remove spout outlet or flow control and flush faucet thoroughly to clear any debris. Care should be taken when cleaning the product. Do not use abrasive cleaners, chemicals or solvents as they can result in surface damage. Use mild soap and warm water for cleaning and protecting the life of Chicago Faucet products. For specific operation and maintenance refer to the installation instructions and repair parts documents that are located at www.chicagofaucets.com.

Chicago Faucets, member of the Geberit Group, is the leading brand of commercial faucets and fittings in the United States, offering a complete range of products for schools, laboratories, hospitals, office buildings, food service, airports and sport facilities. Call 1.800.TECTRUE or 1.847.803.5000 Option 1 for installation or other technical assistance.



2100 South Clearwater Drive
Des Plaines, IL
P: 847/803-5000
F: 847/803-5454
Technical: 800/TEC-TRUE
www.chicagofaucets.com

Last Revision: 10/12/2011 • Date Printed: 09/4/2013 • Product specifications subject to change without notice



2100 South Clearwater Drive
Des Plaines, IL
P: 847/803-5000
F: 847/803-5454
Technical: 800/TEC-TRUE
www.chicagofaucets.com

Last Revision: 10/12/2011 • Date Printed: 09/4/2013 • Product specifications subject to change without notice



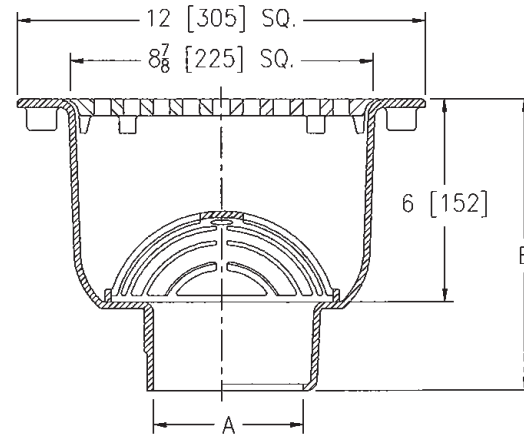


Z1900
12 x 12 [305 x 305] A.R.E. SANI-FLOOR
RECEPTOR 6 [152] SUMP DEPTH

FD-1

SPECIFICATION SHEET
TAG _____

Dimensional Data (inches and [mm]) are Subject to Manufacturing Tolerances and Change Without Notice



A Pipe Size In.	Approx. Wt. Lbs. [kg]	Grate Open Area Sq. In. [cm ²]
2-3-4 [51-76-102]	32 [15]	31 [200]

ENGINEERING SPECIFICATION: ZURN Z1900
Sani-Floor Receptor 12 x 12 x 6 [305 x 305 x 152] deep cast iron body and square, light-duty grate with 1/2 [13] slotted openings, white acid resisting porcelain enamel interior and top, complete with white ABS anti-splash interior bottom dome strainer.

OPTIONS (Check/specify appropriate options)

PIPE SIZE

- 2-3-4 [51-76-102]
- 2-3-4 [51-76-102]
- 2-3-4 [51-76-102]

(Specify size/type) **OUTLET**

- IC Inside Caulk
- NH No-Hub
- NL Neo-Loc

'E' BODY HT. DIMENSION

Z	ZN / ZS
8-5/8 [219]	9-1/8 [232]
8-5/8 [219]	9-1/8 [232]
8 [203]	8-1/2 [216]

PREFIXES

- Z Cast Iron Body with White A.R.E. Interior*
- ZN Cast Iron Body with White A.R.E. Interior, 12-1/2 [317] Square N.B. Frame and Full Grate with 1/2 [13] Openings (Add 1/2 [13] to 12 [305] Dim.)
- ZS Cast Iron Body with White A.R.E. Interior, 12-1/2 [317] Square Stainless Steel Frame and Full Grate with 1/2 [13] Openings (Add 1/2 [13] to 12 [305] Dim.)

SUFFIXES

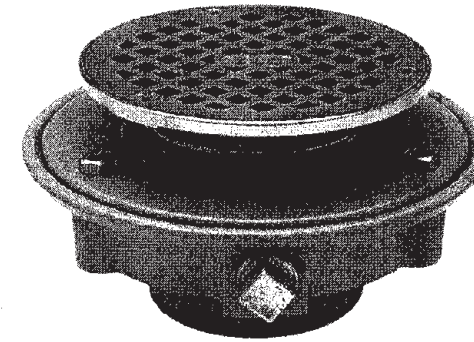
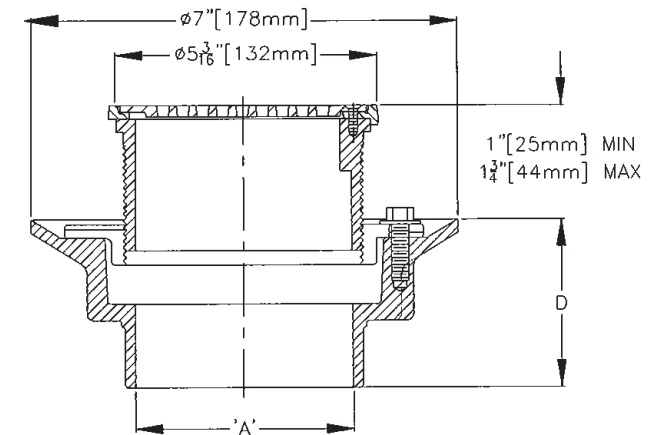
- DX Dex-O-Tex Flange (ZN Only)
- HD Stainless Steel Frame w/ X-Heavy Duty Stainless Steel Grate (ZS Only)
- HP Heel-Proof Grate (ZN Only)
- K Anchor Flange
- KC Anchor Flange with Seepage Holes and Clamp Collar
- LD (Less) Bottom Dome Strainer
- P 1/2 [13] Trap Primer Connection (See Z1023)
- SA Stabilizer Assembly (See Z1903)
- TC Neo-Loc Test Cap Gasket (2-4 [51-102] NL Bottom Outlet Only)
- VPS Vandal-Proof Strainer
- 1 (Less) Grate
- 2 1/2 Grate
- 3 3/4 Grate
- 4 Full Grate w/ Center Opening (2 [51] Dia. for Z) and (3-1/32 [77] Square for ZN & ZS)
- 5 Grate w/ 4 [102] Dia. x 3-3/4 [95] High Funnel
- 6 Grate w/ 6 [152] Dia. x 6 [152] High Funnel
- 7 Grate w/ 6-3/4 x 3 x 1 [171 x 76 x 25] High Oval Funnel
- 8 Grate w/ 8-7/8 x 3-5/8 x 3-3/4 [225 x 92 x 95] High Oval Funnel
- 9 Angle Frame and Grate (ZN Only)
- 11 Vandal-Proof Secured Top (ZN & ZS Only)
- 12 Depressed Aluminum Grate (ZN Only)
- 15 Solid Loose Set Cover (Z & ZN Only)
- 16 1/2 Solid Loose Set Cover (Z & ZN Only)
- 17 3/4 Solid Loose Set Cover (Z & ZN Only)
- 18 Solid Loose Set Cover w/ Center Opening (2-1/4 [57] Square for Z Only) and (3 [76] Square for ZN Only)
- 19 Full Hinged Grate (ZN Only)
- 23 Aluminum Bucket
- 25 White A.R.C. Bucket
- 31 Stainless Steel Mesh Liner for Bucket
- 32 Aluminum Dome Strainer
- 33 White A.R.C. Anti-Splash Bottom Dome Strainer
- 34 N.B. Anti-Splash Bottom Dome Strainer

REV. L DATE: 9/20/11 C.N. NO. 122166
DWG. NO. 59341 PRODUCT NO. Z1900

*REGULARLY FURNISHED UNLESS OTHERWISE SPECIFIED
ZURN INDUSTRIES, LLC. • SPECIFICATION DRAINAGE OPERATION • 1801 Pittsburgh Ave. • Erie, PA 16514
Phone: 814/455-0921 • Fax: 814/454-7929 • World Wide Web: www.zurn.com
In Canada: ZURN INDUSTRIES LIMITED • 3544 Nashua Drive • Mississauga, Ontario L4V1L2 • Phone: 905/405-8272 Fax: 905/405-1292



FD-2321 Low Profile Finished Area Floor Drain
TAG _____



FD-2321 Low Profile Adjustable Finished Area Floor Drain with Square Top

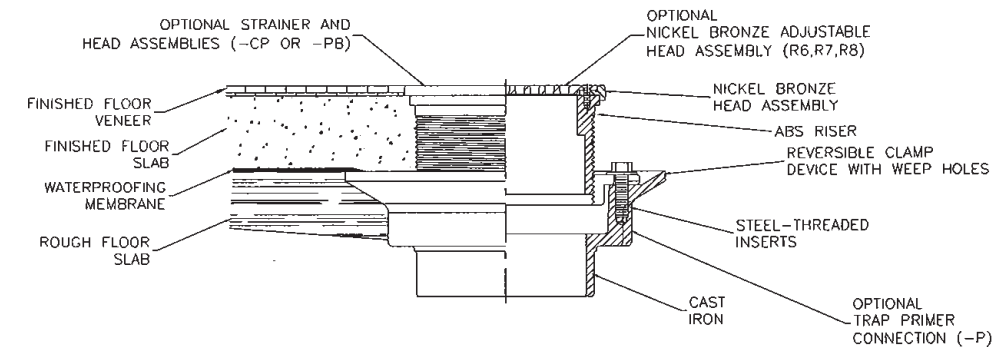
Recommended for finished floor areas where a membrane is generally used. This drain is designed for foot traffic and light cart applications. Complete with cast iron body, clamping collar and adjustable nickel bronze strainer assembly. 1/2" [13mm] trap primer connection provided with plug.

OPTIONS:

- CP Chrome Plated Strainer
- PB Polished Brass Strainer
- R6 6" Dia. Nickel Head Assembly
- R7 7" Dia. Nickel Head Assembly
- R8 8" Dia. Nickel Head Assembly
- VP Vandal Proof

Product	Connection 'A'	D
<input checked="" type="checkbox"/> FD-2321-NH2	2"[51mm] No-Hub	2-1/2"[64]
<input type="checkbox"/> FD-2321-NH3	3"[76mm] No Hub	2-1/2"[64]
<input type="checkbox"/> FD-2321-NH4	4"[102mm] No-Hub	2-1/2"[64]
<input type="checkbox"/> FD-2321-PO2	2"[51mm] Push-On	3-1/3"[85]
<input type="checkbox"/> FD-2321-PO3	3"[76mm] Push-On	4-1/3"[110]
<input type="checkbox"/> FD-2321-IP2	2"[51mm] IPS	2-1/2"[64]
<input type="checkbox"/> FD-2321-IP3	3"[76mm] IPS	2"[51]

Typical Installation

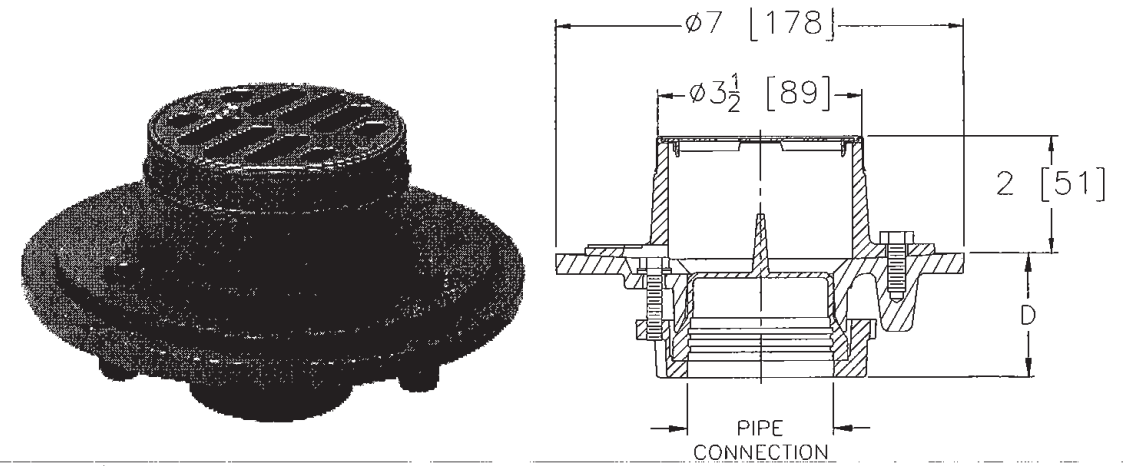


ZURN LIGHT COMMERCIAL PRODUCTS 2855 GIRTS ROAD, JAMESTOWN, NY 14701 PHONE: 716-665-1131 FAX: 716-665-3126
World Wide Web: WWW.ZURN.COM

Rev. Date: 6/19/03 C.N. No. 90599
Dwg. No. 80039 Product No. FD-2321

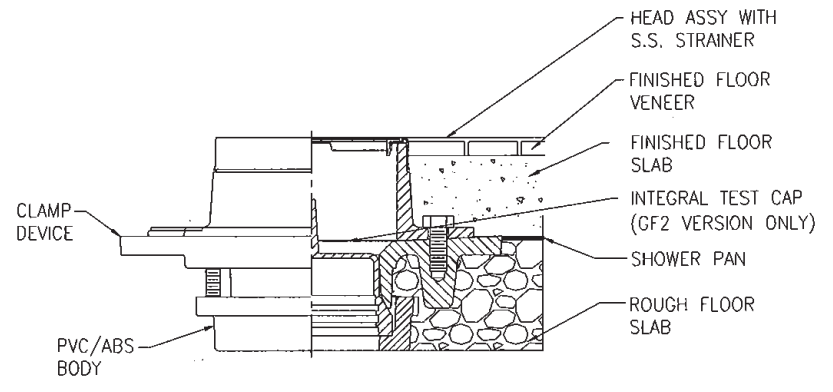


Dimensional Data (inches and [mm]) are Subject to Manufacturing Tolerances and Change Without Notice



Product	'A' Outlet Connection
___ FD2251-CI-NH2	2 [51] NO-HUB
___ FD2251-CI-QF2	2 [51] QUICK-FIT

FD2251-CI Cast Iron Shower Drain
Recommended for shower area installations where a water-proofing membrane is used. Each body is furnished with a slotted secured strainer and a 7 [178] diameter cast iron body and top assembly with weep holes.



Typical installation

ZURN INDUSTRIES, LLC. ♦ SPECIFICATION DRAINAGE OPERATION ♦ 1801 Pittsburgh Ave. ♦ Erie, PA 16514
Phone: 814/455-0921 ♦ Fax: 814/454-7929 ♦ World Wide Web: www.zurn.com
In Canada: ZURN INDUSTRIES LIMITED ♦ 3544 Nashua Drive ♦ Mississauga, Ontario L4V1L2 ♦ Phone: 905/405-8272 Fax: 905/405-1292

Rev. _____ Date: 08/17/09 C.N. No. 110074
Dwg. No. 84306 Product No. FD2251-CI

Mechanical Standards

DESIGN STANDARD for Basic HVAC System Design

Purpose:

The purpose of this document is to standardize the basic elements of the HVAC system design process. This design standard has the purpose of creating a consistent application of HVAC system design throughout the Solano Community College District therefore achieving a standard of quality for maintenance, energy efficiency, and reliability throughout all renovation and new building projects.

Design Standard:

Codes – Systems will be designed in accordance with the latest edition of the following codes:

- California Building Code.
- California Mechanical Code.
- California Plumbing Code.
- California Fire Code.
- National Electrical Code; California Electrical Code.
- State of California Code of Regulations (CCR).
- Energy Efficiency Standards and Title 24 Regulations.
- Local City Amendments and Regulations.
- DSA – Department of the State Architect.

Standards – The following reference standards will be used for the design:

- AMCA – Air Movement and Control Association International, Inc.
- ANSI – American National Standards Institute.
- ARI – Air Conditioning and Refrigeration Institute.
- ASHRAE – American Society of Heating, Refrigeration, and Air Conditioning Engineers.
- SMACNA – Fire and Smoke Damper Installation Guide.

- SMACNA – Guidelines for Seismic Restraints of Mechanical Systems.
- SMACNA – Standards for Duct Construction.
- EPA – Environmental Protection Agency.
- NEMA – National Electrical Manufacturer’s Association.
- UL – Underwriters’ Laboratories.
- NFPA - National Fire Protection Association.
- NFPA 90A – Air Conditioning and Ventilating Systems.
- NFPA 101 – Life Safety Code.
- LEED – U.S. Green Building Council.

HVAC Calculation

- Utilize the following outside air temperatures in calculating HVAC system capacities:
 - Solano College (Fairfield, Vallejo, Vacaville - Climate Zone 3, CEC T-24 0.5%):
- Lighting Loads: Lighting loads shall be calculated at CEC T-24 Watt per square foot values during preliminary design. Engineers shall execute final calculations upon selection of final lighting fixture selections.
- Equipment Loads: Equipment loads are variable and should be based on actual equipment to be installed in each location. Engineer shall apply diversity factors so as not to oversize central HVAC systems.
- Thermal Mass: Thermal mass shall be considered during calculations as a method to offset cooling loads.
- U-Values for Walls and Roofs: Loads shall be calculated at CEC T-24 allowances during preliminary design. Engineers shall execute final calculations upon selection of final building façade materials.
- U-Values for Solar Heat gain Factors for Windows: Loads shall be calculated at CEC T-24 allowances during preliminary design. Engineers shall execute final calculations upon selection of final building façade materials.
- Cooling system pick-up capacity: 10% of total load
- Heating system pick-up capacity: 25% of total load

- All calculations shall be completed utilizing DOE approved calculation software.
- Pipe sizing calculations: 4.0'/100' HD for main piping; 3.5'/100' HD for branch piping; 7 fps maximum velocity in occupied spaces.
- Duct sizing calculations: equal friction method - 0.1"/100' for main ductwork (never exceed 2,000 feet per minute); 0.08"/100' for low pressure branch ductwork (never exceed 800 feet per minute). Lower velocities may be needed for acoustical purposes.
- Return air systems – Return air ducts shall be sized on the equal friction method at 0.08"/100' (never exceed 1,500 feet per minute). Design plenum return air systems for low pressure drops. Design transfer air systems at 250 feet per minute to minimize pressure drop.
- Interior temperature requirements:
 - General conditions
 - Summer time cooling design 73°F +/- 3°F, no RH control (no cooling control except through ventilation for buildings deemed not to have cooling systems)
 - Winter time heating design: 70°F +/- 3°F, no RH control
- Acoustical and Vibration Calculations:
 - Acoustical calculations shall be completed by a professional specializing in the science of sound transmission, acoustics, and vibration.
 - Design shall conform to ASHRAE Chapter “Sound and Vibration Control”, latest edition and the Solano Community College District Acoustical Design Standards.

Outside Air Make-up and Ventilation

- Utilize CEC T-24 and/or ASHRAE Standard 62 (whichever is most stringent), latest edition, to determine outside air ventilation flow rates. Indicate quantities of minimum outside air on all equipment schedules.
- Outside air for ventilation and make-up shall be brought from a fresh source of air. Outside air openings and operable building systems shall be located at a minimum of 15'-0" from any permanent or temporary points of:
 - Boiler exhaust
 - Kilns
 - exhaust air

- plumbing vents
- areas of objectionable odor
- locate away from loading docks, parking lots, adjacent roadways, etc.
- 30'-0" separation from non-environmental exhaust systems (as defined by the CMC) such as kitchen exhaust, lab fume hood exhaust, garage exhaust, etc. Increase separation where openings are downwind from sources listed above.

- Design outside air intakes to eliminate the possibility of water carry over. Always utilize drainable weatherproof type louvers at intakes.
- Provide CO2 monitoring to accommodate demand based ventilation to reduce energy use. Monitors shall be connected to the BMS. Consider for large occupancy areas such as:
 - Classrooms
 - Gymnasiums
 - Theatres
 - Lecture halls
 - Auditoriums
 - Lobbies
 - Cafeterias
 - Meeting rooms
 - Conference rooms
- Determine if natural ventilation can be utilized for comfort cooling either by itself or as part of a mixed-mode system. Prior to locating intakes, consider:
 - pollution sources
 - acoustical interferences
 - security
 - airflow patterns via CFD modeling

- Consider the use of ultraviolet lamps at AHU outside air coils to kill bacteria and mold that may grow in air handling units. Ultraviolet lamps will not only kill bacteria and mold but also have the advantage of reducing maintenance for coil cleaning.

Equipment Selection

- HVAC Systems: Specific system types are either addressed in the program or where a system is not indicated shall be addressed by the engineer of record for the project based on:
 - Lifecycle cost analysis to include first cost, operating cost, maintenance cost, energy cost
 - Reliability
 - Temperature control
 - Noise level
 - System complexity
 - Life expectancy – Minimum life expectancy for equipment shall be 25 years
 - Susceptibility to vandalism
- Equipment General:
 - Provide an integrated design so that each element of the building is carefully considered. Produce a holistic solution.
 - Utilize shading, landscape, canopies, blinds, building thermal mass, etc. to reduce heating and cooling loads and minimize equipments sizes.
- Fans:
 - Fans shall be selected on a stable point of operation of the fan curve. Fan selection shall be based on methods in the ASHRAE Handbook, most recent edition.
 - Select Motor sizes and speed should provide a 15% safety factor for deviation in fan static pressure and future airflow increases.
 - Static pressure of fans shall be determined from pressure drop calculations (based on the most hydraulically remote location) including:
 - ductwork
 - fittings
 - diffusers/grilles

- ductwork accessories
- system effects
- specialties and appurtenances
- discharge velocity pressure

- Select fan noise sound and pressure levels to assure quiet operation per acoustical requirements above.
- Kitchen Grease Exhaust: Fans shall be UL listed for such service. Provide with drain. Consider location of kitchen smoke exhaust with regards to campus views, deterioration of building façade, and odors.
- Fume Hood Exhaust Fans: Fans shall be UL listed for such service. Provide explosion proof systems with appropriate coatings to prevent chemical action on fan housing.

- Cooling Coils

- Design direct expansion and chilled water coils on basis of a nominal 400-500 foot per minute face velocity.
- All cooling coils shall be pipe counterflow of refrigerant against airflow.
- Select the Cv of each coil control valve at design conditions.
- Design with upward flow through coil and air vents at all high points of coils to eliminate trapped air.
- At a minimum design with isolation valves on supply and return, two or three way control valve based on pumping system design, drain, flexible connections, and temperature gage.

- Heating Coils

- Design heating water coils on basis of a nominal 600 foot per minute face velocity.
- All heating coils shall be pipe counterflow of refrigerant against airflow.
- Select the Cv of each coil control valve at design conditions.
- Design with upward flow through coil and air vents at all high points of coils to eliminate trapped air.

- At a minimum design with isolation valves on supply and return, two or three way control valve based on pumping system design, drain, flexible connections, and temperature gage.
- Air Distribution Devices
 - Supply Diffusers:
 - Preferred method of air distribution due to aspiration and entrainment of room air (reduction of drafts and more even room temperature profiles) as well as the ability to distribute air in many different directions.
 - Supply air grilles shall be sized based on manufacture’s airflow, noise criteria, mounting height, and pressure drop data.
 - Supply Grilles:
 - Avoid wall grilles where possible. Wall grilles have a lack of aspirating qualities and when discharging in cooling can create a perceived feeling of drafts. Where designed, use care. Utilizes a larger width to height aspect ratio for maximum induction of room air. Utilize double deflection type grilles to maximize adjustability. Do not throw air longer than 15-20 feet in rooms with low ceilings (below 9 feet).
 - Supply air grilles shall be sized based on manufacture’s airflow, noise criteria, mounting height, and pressure drop data. Do not exceed 500 feet per minute.
 - Return Air Grilles
 - Locate to aid in contaminant displacement.
 - Design for low pressure loss in return plenum systems to assure that rooms do not get over-pressurized.
 - Return air grilles shall be sized based on manufacture’s airflow, noise criteria, mounting height, and pressure drop data. Do not exceed 400 feet per minute for ducted systems and 250 feet per minute for plenum return systems.
- Sound Attenuation and Vibration Control
 - Where required utilize sound traps or acoustical duct lining to mitigate noise attributable to HVAC equipment.
 - Size of sound traps and length to be provided by an acoustical engineer after completion of calculations.

- Length of acoustical lining to be provided by an acoustical engineer after completion of calculations.
- Provide vibration isolation devices as required to meet ASHRAE recommendations for vibration transmission.

- Pumps
 - Select systems with two pumps. Deliver 100% capacity with both pumps operating in parallel. When one pump shuts down, a single pump shall be capable of providing 75-80% of the total capacity. Due to cost considerations standby pumps are not required unless there is a specific concern for redundancy.
 - For economical design and energy efficiency, end suction, base mounted pumps and in-line pumps should be used for most systems except when the systems become very large.
 - Dynamic head of pumps shall be determined from pressure drop calculations (based on the most hydraulically remote location) including:
 - piping
 - fittings
 - valves
 - coils
 - system effects
 - specialties and appurtenances
 - Pumps shall be capable of being removed for maintenance without having to drain the entire system.
- Temperature Control and Zoning
 - All buildings shall be connected to the campus wide DDC control network (a Yamas based system). See DDC Controls Design Standards and Standard Specifications for additional criteria.
 - Individual temperature controls will be based on function, exposure, and Owner request.
 - Each corner exposure (NE, NW, SE, and SW) shall be on a separate temperature control zone.

- Each conference room, lobby, classroom, lecture hall, break area shall be on a separate temperature control zone.
- Perimeter closed offices will be provided with no more than three to five offices per group of offices along the same orientation. This requirement may be relaxed when utilizing variable volume diffusers and terminal units are used primarily as a means of pressure control and reheat, however, group variable volume diffusers along the same orientation.
- Large group spaces shall allow user-adjustable controls restricted to +/- 2°F with a time-out after 2 hours.
- Specialty Considerations
 - Central Plants
 - The purpose of a central plant is to reduce overall energy costs, limit noise and vibration to occupied spaces, reduce maintenance to a single location for boilers, chiller, and pumps, increase the aesthetic nature for the remainder of the campus.
 - All campuses that have existing central plants for heating and/or cooling shall have new and/or modernized buildings connected to the central plant. Exceptions will be made based on project budget and other factors.
 - Equipment selection for new central plants should be industrial commercial grade.
 - Systems should be easy to maintain and operate.
 - Consideration should be given for expansion.
 - Sequences shall be determined to minimize energy use and take advantage of low part-load conditions that occur frequently at the campuses.
 - Specialty Pressure Requirements and Exhaust Systems
 - Specific rooms shall be designed to be at a negative pressure to adjoining spaces and to be exhausted 100%. These rooms include but are not limited to: restrooms, certain labs (confirm with activity and use), certain science classrooms (confirm with activity and use), kitchens, janitor closets, copy rooms, food service rooms, loading docks, locker rooms, shower facilities, photograph rooms and dark rooms, art classrooms (confirm with activity and use), refrigeration machinery rooms, boiler rooms, etc.

- Areas with products of combustion need removal of the products and a source of combustion air.
- Food Service Facilities
 - The kitchen shall be designed with separate exhaust systems for each hood allowing each hood to be separately controlled. Fans shall be at the end of the exhaust system and located in the exhaust duct. Exhaust airflow shall be at a rate of 1500 feet per minute minimum to create a capture velocity. No duct accessories are allowed in the kitchen exhaust system.
 - Provide separate exhaust systems for dishwashing. Ductwork shall be non-corrosive stainless steel and pitched for drainage. A duct drain shall be provided at the low point of the ductwork. Do not trap water in the duct.
 - Exhaust ductwork shall be specifically designed of materials compatible for kitchen grease exhaust
 - Make up air can either be provided from make-up air handlers or by transfer of air from adjoining spaces, Code permitting.
 - The make-up air and exhaust air systems shall be interlocked.

Sustainable Design Practices

- The Solano Community College District has a desire to build buildings utilizing sustainable design techniques. As part of the Mechanical Design Standards, sample sustainable design opportunities are provided in a table in the sustainability section of the Solano Community College District standards. Each strategy needs to be integrated appropriately into their respective projects. Development of design strategies for each item is beyond the scope of this Design Standard and requires careful consideration for proper application. The District will select on a case by case basis, which projects will be LEED™ Certified and to what level.

Approved Manufacturers:

Not Applicable

Substitutes Allowed:

Not Applicable

Associated Design Standards and Specifications

- All Division 23 Design Standards and Construction Specifications

DESIGN STANDARD for HVAC Piping

Purpose:

The heating, ventilating, and air-conditioning piping materials are an essential element of the mechanical systems. This design standard has the purpose of creating a consistent application of heating, ventilating, and air-conditioning piping material requirements throughout the Solano Community College District therefore achieving a standard of quality for maintenance, reliability, and energy efficiency throughout all renovation and new building projects.

Design Standard:

Work Included: Materials, installation and testing of pipe, tubing and fittings for complete and operable systems.

General Electrical Equipment Clearances: Do not route piping through electrical rooms, transformer vaults, elevator equipment rooms, and other electrical or electronic equipment spaces and enclosures. Within mechanical or plumbing equipment rooms, provide minimum 3 feet lateral clearance from sides of electric switchgear panels, MCC's, etc. Do not route piping above any electric power or lighting panel, switchgear, or similar electric device. Coordinate with electrical and coordinate exact pipe routing to provide proper clearance with such items.

Welding Qualification: Qualify welding procedures, welders and operators in accordance with ANSI B31.9 for shop and project site welding of piping work.

All piping shall meet the piping material requirements set forth:

- Steel pipe:
 - ASTM A53, Hot Dipped, Zinc Coated Welded or Seamless, Grade B: Black
- Copper tube:
 - Temper: Annealed (hard drawn)
- Pre-insulated underground piping systems:
 - Factory pre-insulated piping system, consisting of an inner media carrier pipe, insulation around the carrier pipe, and a water/vapor seal jacket over the insulation
 - Carrier Pipe Material: Schedule 40 black steel pipe with 150 PSI malleable screwed fittings

- Insulation: Rigid closed cell polyurethane, average density of at least 2 lb./ft.3, conforming to ASTM C552, Type II, Class 1, K factor of not more than 0.14 (BTU/in)/(hr/sq.ft./deg. F) at 50F
- Outer Casing: PVC pipe of minimum 60 mils thickness. Each factory prefabricated section provides complete sealing of the insulation at each end of the conduit section. Provide permanent water and vapor seal. Carry over the outer casing and extend it to the carrier pipe. Use prefabricated caps specifically designed for end seal of prefabricated insulation systems. Fabricate caps of the same material as the outer casing
- Includes: Expansion loops, Ells, Welded fitting and elbows, Moisture barrier and end seals, Anchors, Thrust Blocks.
- After anchor blocks are poured and cured, a hydrostatic test of 150 PSIG or 1-1/2 times operating pressure, whichever is greater, required for a period of 4 hours

- Fittings for steel pipe:

- Flanges, fittings, unions and other products, mark in accordance with MSS SP-25
- Welding Fittings: Wrought carbon steel fittings, ASTM A234, ANSI B16.9, B16.28. Butt-welding type unless otherwise indicated to be socket welding type
- Branch Connections: From mains or headers 2-1/2 inches or larger, welded tees or forged welding outlets
- Welding Outlets: "Weldolets" or "Threadolets" equivalent to Bonney Forge. Use forged welding outlets wherever branch line is at least 1 nominal pipe size smaller than local main or header
- Threaded Fittings: ANSI B2.1, ASTM A47, 150 PSI rating, except where otherwise specified, prevailing codes or requirements or Specifications dictate use of 300 PSI rating. Fabricate from standard malleable iron with dimensions conforming to ANSI B16.3
- Flanges: Carbon steel conforming to ASTM A105, ANSI B16.5, and factory forged in the USA. Flanges which have been machined, remade, painted, or are of non-domestic origin are not acceptable. Provide raised or full face ends wherever indicated or required
- Unions: ANSI B16.39, ASTM A47, and be fabricated from malleable iron with bronze-to-iron ground joints rated at 150 percent design operating pressure. Threads: ANSI B2.1

- Fasteners: Semi-finished carbon steel bolts and hex nuts conforming to ASTM A307. Threads and Dimensions: ANSI B1.1 and B18.2
- Threaded Pipe Plugs: ANSI B16.14
- Provide thread lubricant

- Designers can use mechanical couplings for pipe systems identified in Design Standard 23 21 05 if there is a cost benefit in doing so. The increased cost of mechanical couplings shall be weighed against the ease of installation and reduced installation time. The Design Standard recommends that designers allow the contractor to decide if they will or will not use mechanical couplings on systems allowing such. Mechanical couplings for steel pipe:

- Coupling Housings: Malleable iron ASTM A47 or ductile iron ASTM A536
- Coupling Housing Description: Grooved or rolled mechanical type, which engages grooved or rolled shouldered pipe ends, encasing an elastomeric gasket which bridges pipe ends to create seal. Cast in two or more parts, secured together during assembly with nuts and bolts. Permit degree of contraction and expansion as specified in manufacturer's published literature
- Gaskets: Mechanical grooved or rolled coupling design, pressure responsive so that internal pressure serves to increase seal's tightness, constructed of elastomers having properties as designated by ASTM D2000. Water Services: EDPM Grade E, with green color code identification
- Bolts and Nuts: Heat treated carbon steel, ASTM A183, minimum tensile 110,000 PSI
- Branch Stub-Ins: Upper housing with full locating collar for rigid positioning engaging machine-cut hole in pipe, encasing elastomeric gasket conforming to pipe outside diameter around hole, and lower housing with positioning lugs, secured together during assembly with nuts and bolts
- Fittings: Grooved or rolled shouldered end design to accept grooved or rolled mechanical couplings: Malleable Iron: ASTM A47, Ductile Iron: ASTM A536; Fabricated Steel: ASTM A53, Type F for 3/4 to 1-1/2 inches, Type E or S, Grade B for 2 to 20 inches; Steel: ASTM A234
- Flanges: Class 125 cast iron and Class 150 steel bolt hole alignment: Malleable Iron: ASTM A47, Ductile Iron: ASTM A536
- Pipe/Grooved: Carbon steel, A-53B/A-106B/A135 Schedule 40. Roll or cut grooved-ends as appropriate to pipe material, wall thickness, pressures, size and method of

joining. Pipe ends to be grooved or rolled in accordance with current listed standards conforming to ANSI/AWWA C-606

- Fittings for copper tubing: Wrought copper/bronze solder joint fittings complying with ANSI B16.22.
- Insulating (Dielectric) Unions: Standard units recommended by manufacturer for use in the service indicated, which isolate ferrous from nonferrous piping, and prevent galvanic corrosion action. Minimum rated "flashover" voltage: 600 volts. Watts 3000 Series. Provide insulated flanges for flanged piping system connection to dissimilar metals.
- Welding Materials: Comply with Section 2-C of ASME Boiler Code, as applicable.
- Tin-Antimony Soldering Materials: ASTM B13.
- Gaskets for Flanged Joints: ANSI B16.12; full faced for cast iron flanges; raised face for steel flanges, unless otherwise indicated or recommended by manufacturer. Gaskets: Minimum 1/8-inch thick fabricated from non-asbestos bases.
- Copper-Brazed: Make brazed joints for copper tubing and fittings with code approved brazing filler alloys meeting ASTM and AWS standards and listings. Filler alloys of BCuP2 classification (e.g., "Phos-O" or "Fos-Copper") may not be used to make joints between copper tubing and cast brass or bronze fittings. Installations conform to accepted published procedures, i.e., CPC Installation Standard 3-75 and CDA Publications. Use of steel wool for cleaning tube and fittings is prohibited.
- Unions: Provide unions at all threaded connections to equipment, regulators, and controls that may have to be removed or replaced and at all points where necessary for the disassembly of piping for maintenance. Detail piping and unions to allow removal of equipment without springing pipe.
 - Steel Pipe Union: 150 PSI malleable iron, brass to iron seat, ground joint, black or galvanized to match pipe
 - Copper Pipe Union: 200 PSI working pressure. Bronze body, solder or grooved ends. Pipes 2 inches and under use ground joint, pipes 2-1/2 inches and larger use flanged face or grooved ends
 - Insulating Unions: 250 PSI working pressure. Pipe ends and material to match piping. Electric current below 1 percent of galvanic current. Gasket material as recommended by manufacturer. Epco or approved

- Escutcheons:
 - Brass material, chrome plated finish. Size sufficient to cover pipe openings through wall, floor or ceiling. Set screw or spring to secure to pipe. Coordinate opening sizes
- Sleeves: Provide sleeves on pipes passing through concrete or masonry construction. Extend sleeve 1 inch above finished floor. Caulk pipes passing through floor with non-shrinking grout or approved caulking compound. Provide "Link-Seal" sleeve sealing system for slab on grade or exterior wall penetrations. Caulk/seal piping and ductwork passing through fire rated building assembly with UL rated assemblies. Provide fire-rated assemblies per local AHJ requirements.
- Corrosion Control: Underground Steel Piping Corrosion Protection: Factory wrap un-insulated underground steel piping systems with protective coating composed of a coal-tar saturated wrapping tape over a 20 mil thick coal-tar epoxy coating, equivalent to "Republic X-Tru-Coat." Wrap joints spirally with a minimum overlap of 1/2 tape width. Extend wrap not less than 3 inches above grade. . Provide cathodic protection to meet requirements of NACE Standard RP0169-2002.
- Pipe Tests:
 - Make test before pipes are concealed
 - Fill system and remove air from system at least 24 hours before test begins
 - Correct leaks in screwed fittings by remaking the joint. Cut out leaks in welded joints and reweld; caulking is not permitted
 - Apply test pressure of 125 PSI and maintain for 1 hour with no visible leaks and no appreciable drop after the test pump has been disconnected

Approved Manufacturers:

Pre-insulated underground piping systems

- Rovanco
- Thermacore
- PERMA-PIPE

Mechanical Couplings

- Victaulic
- Gruvlok

Substitutes Allowed:

Yes, if performance and quality equivalency can be evidenced.

Associated Design Standards and Specifications

- 23 05 29 - HANGERS AND SUPPORTS FOR HVAC PIPING AND EQUIPMENT
- 23 05 53 - IDENTIFICATION FOR HVAC PIPING AND EQUIPMENT
- 23 21 05 - HYDRONIC PIPING SYSTEMS

DESIGN STANDARD for Common Motor Requirements for HVAC Equipment

Purpose:

The motor requirements for heating, ventilating, and air-conditioning equipment are an essential element of the mechanical systems. This design standard has the purpose of creating a consistent application of heating, ventilating, and air-conditioning equipment motor requirements throughout the Solano Community College District therefore achieving a standard of quality for maintenance, reliability, and energy efficiency throughout all renovation and new building projects.

Design Standard:

Work Included: Materials, installation and testing for complete and operable motors and starters for heating, ventilating, and air-conditioning equipment. These Design Standards are inclusive of motors that are field installed as well as integral to mechanical equipment.

All motors to meet the following requirements based on Code requirements and industry standard of care:

- Energy efficient, suitable for non-overloading operation, and capable of continuous operation at full nameplate rating. Motors 1 HP and larger must meet Energy Policy act of 1992. Motors to meet or exceed California Energy Commission Title 24 requirements.
- Take NEMA standards as minimum requirements for motor design and performance. Motors suitable for load, duty, voltage, frequency, hazard, and for service and location intended.
- For consistency and economy, motors, unless specified otherwise, to be general purpose open drip-proof type, ball bearing equipped, 40°C temperature rise, and rated for continuous duty under full load.
- To avoid unnecessary maintenance costs and early failure of equipment, all motors located outdoors to be TEFC motors (totally enclosed, fan cooled).
- Due to the harsh weather environment at Solano College, all motors exposed to the outside air stream (whether inside or outside of equipment) to be TEFC motors (totally enclosed, fan cooled).
- Motors smaller than 1/2 horsepower, 1 phase; and motors 1/2 horsepower and larger, 3 phase and voltage as indicated on Drawings. Maximum motor speed of 1750 RPM, unless otherwise noted. One phase motors to have internal thermal overload protection with automatic reset.

- Motors for belt drive to have adjustable bases with set screw to maintain belt tension.
- Provide inverter rated motors per NEMA MG1-31 where variable frequency drives are applied or where soft start starters are utilized.
- For consistency, all starters to be specified by Division 26.
- For consistency, all disconnects to be specified by Division 26.
- Motors to have name plate giving manufacturer's name, shop number, HP, RPM and current characteristics.

Approved Manufacturers:

- General Electric
- Westinghouse
- Baldor
- Reliance

Substitutes Allowed:

Yes, if performance and quality equivalency can be evidenced.

Associated Design Standards and Specifications

- 23 05 48 - VIBRATION AND SEISMIC CONTROLS FOR HVAC PIPING AND EQUIPMENT
- 23 05 53 - IDENTIFICATION FOR HVAC PIPING AND EQUIPMENT
- 23 09 13 - VARIABLE FREQUENCY DRIVES

DESIGN STANDARD for General Duty Valves for HVAC

Purpose:

The heating, ventilating, and air-conditioning valves are an essential element of the mechanical systems. This design standard has the purpose of creating a consistent application of heating, ventilating, and air-conditioning valve requirements throughout the Solano Community College District therefore achieving a standard of quality for maintenance, reliability, and energy efficiency throughout all renovation and new building projects.

Design Standard:

Work Included: Materials, installation and testing of valves for a complete and operable systems.

All valves of a particular type and size range on any one project shall be the product of one manufacturer.

Valves shall be designed to be installed with the valve bonnet in an upright position to prevent deterioration or corrosion of the bonnet and packing.

Valve body materials shall be compatible with piping system materials.

A valve drain shall be provided at the base of each water piping riser and manual air vents shall be provided at the top of each riser and at the high point of the system.

All valves shall be provided with reusable strap-on insulation covers.

All exposed valves in finished areas shall be chrome-plated.

Insulation: Where insulation is indicated, install extended stem valves, arranged in proper manner to receive insulation

Design access panels, where a removal type ceiling is not planned, into the project so all valves are accessible

Locate isolation valves so that it is possible to isolate separate floors, separate wings, machinery rooms and other natural subdivisions of the building. Design isolation valves on each side of equipment to permit servicing or removal without draining system. Design valves at all services left for future connections (tees, stubs, etc.) unless they are in a valved zone, or can be isolated by existing valves with minor loss of pipe contents when opened

All general duty HVAC valves shall meet the requirements set forth:

- Ball Valves
 - System supply and return piping shut-off and isolation valves for application in piping system up to and including 2-1/2" in diameter
 - Class 125, bronze body, screw-in bonnet, integral seat, renewable disc, straight body
- Butterfly Valves
 - System supply and return piping shut-off and isolation valves for application in piping system over 2-1/2" in diameter
 - 6 Inches and Smaller: 200 PSI, ductile iron body, extended neck, aluminum bronze disc, reinforced resilient EDPM seat, manual lever and lock
 - 8 Inches and Larger: 200 PSI, ductile iron body, extended neck, aluminum bronze disc, reinforced resilient EDPM seat, gear operator
- Globe Valves
 - Design for modulating services
 - 2 Inches and Smaller: Class 125, bronze body, screw-in bonnet, integral seat, renewable disc, straight body
 - 2-1/2 Inches and Larger: Class 125, iron body, bolted bonnet, flanged ends, renewable seat and disc, bronze mounted
- Balancing Valves
 - Provide balancing valves as required for proper balance and to maintain balance at part and full load conditions
 - Bronze with a machined orifice flow restriction, multi-turn globe type valve, internal O-rings, rated working pressure of at least 240 PSIG (175 PSI iron construction, 2-1/2 inches and larger), flow setting indicating pointer and calibrated nameplate, memory stops, and pressure readout port with integral check valve on each side of the orifice
- Check Valves
 - Where check valves are required, they shall be installed on the equipment side of all shutoff valves to facilitate servicing of the check valve

- 2 Inches and Smaller: Class 125, bronze body, horizontal swing, regrinding type, Y-pattern, renewable disc
- 2-1/2 Inches and Larger: Class 125, iron body, bolted bonnet, horizontal swing, renewable seat and disc, flanged ends

- Drain Valves

- Class 125, bronze body, screw-in bonnet, rising stem, composition disc, 3/4-inch hose outlet

- Control Valves

- The design documents shall include a valve schedule for all ATC valves. The schedule shall indicate service, flow, CV, and pressure drop
- Control valves shall be closely coordinated with Division 25 requirements
- 2-Inch or Less Two-Way Valves: Pressure independent, ball valve with forged brass nickel plated bodies and female NPT threads. Valves shall have blowout-proof stem design. Rate chrome plated ball and stem at a minimum of 400 psi water service with equal percentage characteristics from characterizing disc. Provide valves with reinforced Teflon seats. Minimum 200 psi close-off rating. Stainless steel, flow-limiting spring. 0-50 psi differential pressure operating range.
- 2-Inch or Less Three-way Valves: Ball valve with forged brass nickel plated body and female NPT threads. Blow-out proof stem design. Rate stainless steel ball and stem at a minimum of 400 PSI water service with equal percentage characteristics from characterizing disc. Provide reinforced teflon seats.
- 2-1/2 Inch to 6-Inch Modulating Control Valves: Iron body, globe valve, with flanged ends, bronze seat, and 316 stainless steel stem. TFE V-ring packing. Maximum 25 PSI differential pressure.
- Two-Way and Three-Way Butterfly Control Valve: Valve body shall be of the full lug wafer style. Flanges shall meet ANSI 125 and 150 standards. Valves shall feature a single, through-shaft design for high-strength and positive disc control. The seat shall be made of heavy-duty, molded-in O-rings creating a positive seal between flange face and valve body. The seat shall provide positive bubble-tight close off.

Approved Manufacturers:

- Ball, Butterfly, Globe Valves, Check Valves, Drain Valves
 - Nibco
 - Crane
 - Milwaukee
- Balancing Valves
 - Bell & Gossett
 - Armstrong
 - Nibco
 - Wheatley
 - Tour & Anderson
- Control Valves
 - Belimo
 - Griswold

Substitutes Allowed:

No substitutions allowed on control valves and balancing valves.

Associated Design Standards and Specifications

- 23 05 53 - IDENTIFICATION FOR HVAC PIPING AND EQUIPMENT
- 25 55 00 – BUILDING MANAGEMENT SYSTEM

DESIGN STANDARD for Hangers and Supports HVAC and Piping and Equipment

Purpose:

The heating, ventilating, and air-conditioning piping and equipment hangers are an essential element of the mechanical systems. This design standard has the purpose of creating a consistent application of heating, ventilating, and air-conditioning piping and equipment hanger requirements throughout the Solano Community College District therefore achieving a standard of quality for maintenance, reliability throughout all renovation and new building projects.

Design Standard:

Work Included: Material and installation of supports, anchors and sleeves including: horizontal piping hangers and supports; vertical piping clamps; hanger rod attachments; building attachments; saddles and shields; miscellaneous metals, miscellaneous materials; roof equipment supports; anchors; equipment supports; wall and floor sleeves; and escutcheon plates for a complete and operable systems.

- Design pipe hangers and supports whose materials, design and manufacture comply with MSS SP-58, "Pipe Hangers and Supports - Materials, Design and Manufacture," latest edition.
- Select and apply pipe hangers and supports complying with MSS SP-69, "Pipe Hangers and Supports - Selection and Application," latest edition. Use only one type by one manufacturer for each piping service. Select size of hangers and supports to exactly fit pipe size for bare piping, and to exactly fit around piping insulation with saddle or shield for insulated piping. Provide copper-plated hangers and supports for un-insulated copper piping systems.
 - Pipe Hangers Size 2 Inches and Smaller: Adjustable swivel ring hanger, UL listed
 - Pipe Hangers Size 2-1/2 Inches and Larger: Adjustable clevis type, UL listed
- The use of pipe hooks, chains, plumbers tape, or perforated iron for pipe supports is not acceptable
- All piping shall be designed to maintain the required pitch and shall provide for proper expansion and contraction
- Vertical runs of pipe shall be supported with steel, UL listed riser clamps made specifically for pipe or for tubing

- Due to the harsh outdoor environment at Solano College, all piping supports at Solano College that are in contact with the outdoor air shall be protected against corrosion.
- Piping supports shall be designed to withstand seismic forces.
- Roof equipment supports: Coordinate the location and type of each roof equipment support with the roofing system supplier. Coordinate systems to maintain roof warranty. Due to Solano College's harsh outdoor environment all exposed equipment supports or equipment supports in mechanical rooms with contact to the outdoor air shall be protected against corrosion.
 - Compensate for slope in roof so top of support is level
 - Construct curb to withstand seismic forces
- Roof Pipe Supports: Support piping on roof with polyethylene high-density U.V. resistant quick "pipe" block with foam pad. Recommended installation is for quick "pipe" blocks to be freestanding. Piping 3 inch and larger mounted on roller hangers. Wood block supports are not acceptable due to increased maintenance and low reliability.
- Escutcheon Plates: Design around horizontal and vertical piping at visible penetrations through walls, partitions, floors, or ceilings, including penetrations through closets, through below ceiling corridor walls, and through equipment room walls and floors.

Approved Manufacturers:

- Pipe Hanger Supports
 - B-Line
 - Michigan
 - Superstrut
 - Unistrut
- Roof Equipment Supports
 - Pate ES
 - Custom Curb
 - Vibrex
 - Thycurb

- Roof Pipe Supports
 - Erico Pipe Piers
 - Nelson-Olsen Inc.

Substitutes Allowed:

Yes, if performance and quality equivalency can be evidenced.

Associated Design Standards and Specifications

- 23 21 05 - HYDRONIC PIPING SYSTEMS

DESIGN STANDARD for Vibration and Seismic Controls for HVAC Piping, Ductwork, and Equipment

Purpose:

The vibration and seismic controls for heating, ventilating, and air-conditioning piping and equipment is an essential element of the mechanical systems. This design standard has the purpose of creating a consistent application of vibration and seismic control requirements throughout the Solano Community College District therefore achieving a standard of quality for maintenance and reliability throughout all renovation and new building projects.

Design Standard:

Work Included: Materials and installation of seismic restraint devices, vibration isolation systems, and related items for complete and operable systems.

- Vibration Control
 - Mechanical and electrical equipment and associated piping and duct work shall be mounted by vibration isolators as required to minimize transmission of vibrations and noise to building structures or spaces.
 - Selection of isolator type shall be as given in Table 42, Selection Guide for Vibration Isolation, Chapter 47, "Sound and Vibration Control," of the latest edition of the ASHRAE Applications Handbook.
 - All rotating equipment shall be balanced both statically and dynamically. Vibration shall not exceed the guidelines given in Table 42, Selection Guide for Vibration Isolation, Chapter 47, "Sound and Vibration Control," of the latest edition of the ASHRAE Applications Handbook.
 - To minimize alignment problems, all motors over 5 hp must be designed to be solidly attached to a common base with the driven unit.
 - In order to minimize vibration, solid sheaves and band belts shall be designed to be used in multiple V-belt driven equipment over 15 hp.

- Isolation Equipment
 - Isolation shall be designed to be stable during starting and stopping of equipment without any transverse and eccentric movement of equipment that would damage or adversely affect operation of the equipment or appurtenances.
 - Isolation shall be designed for the operating speed of the equipment.
 - Isolators, including springs, exposed to the weather shall be hot dipped galvanized after fabrication. Hot dipped zinc coating shall comply with ASTM Method A-123 and shall not be less than 2 oz per square foot. Isolators at the Solano campus shall not be designed to be exposed to the environment, if absolutely impossible; the isolators will be required to have extra corrosion protection. A request to install isolators exposed to the elements shall be submitted to Solano Community College District.
 - Isolators shall be selected and located to produce uniform loading and deflection even when equipment weight is not evenly distributed.
 - Isolation equipment includes: neoprene pads, hanger spring and neoprene, travel limited floor spring and neoprene, inertia base, flexible duct connections, flexible pipe connections, thrust limits, grommets, and snubbers.
- Seismic Control and Restraint
 - Brace or anchor mechanical equipment to resist horizontal forces acting in any direction using the CBC latest edition.
 - Provide factory fabricated seismic restrained vibration isolating components. Earthquake resistant designs for equipment, i.e., air handling units, blowers, motors, ductwork, and mechanical piping, to conform to the regulations of the CBC, latest edition. It is the Districts desire to use standard factory fabricated components, if they are not available, provide properly designed custom components which meet the requirements herein.
 - Design shall include earthquake bumpers to prevent excessive motion during starting and stopping of equipment and for earthquake bracing. Install bumpers after equipment is in operation to allow proper placement and alignment and ensure that bumpers are not engaged during normal system operation
 - Design the seismic bracing and anchorage of piping per Section 23 05 29
 - Design piping and ductwork seismic restraints using the document "Seismic Restraints Manual Guidelines for Mechanical Systems." Secure piping, ductwork, and the like to withstand a force in any direction.

- Design restraints to meet CBC Seismic Restraint requirements. Provide structural engineering calculations sealed by a professional engineer registered in state of California.
- Seismic Pipe Loops and Pipe Expansion
 - The design shall examine the piping system and shall design expansion compensation into the system by use of expansion loops, flexible connectors or, where space is limited, self-aligning bellows-type expansion joints.
 - The design shall design all anchors and guide supports as needed.
 - Seismic connectors for straight pipe runs to be designed with sufficient live length on each flexible leg to provide the minimum movement in directions as required by movement allowed at joint. Verify with structural total movement required in planes.

Approved Manufacturers:

- Isolation Equipment
 - Amber Booth
 - Mason
 - Vibrex
- Seismic Pipe Loops and Expansion Joints
 - Amber Booth
 - Mason
 - Metraflex
 - Vibrex

Substitutes Allowed:

Yes, if performance and quality equivalency can be evidenced.

Associated Design Standards and Specifications

- 23 05 29 - HANGERS AND SUPPORTS FOR HVAC PIPING AND EQUIPMENT

DESIGN STANDARD for Identification of HVAC Piping, Ductwork, and Equipment

Purpose:

The identification of heating, ventilating, and air-conditioning piping, ductwork, and equipment is an essential element of the mechanical systems. This design standard has the purpose of creating a consistent application of systems identification requirements throughout the Solano Community College District therefore achieving a standard of quality for maintenance and reliability throughout all renovation and new building projects.

Design Standard:

Work Included: Materials and installation of mechanical systems identification for complete and operable systems.

- General: Adhere to ANSI A-13.1
- Ductwork
 - General: Provide for identification of air supply, return, exhaust, intake, and relief ductwork with stenciled signs and arrows, showing ductwork service and direction of flow, in black and white.
 - Locations: Ductwork shall be identified every 20' in spaces with removable ceilings and at each access door in spaces with hard ceilings. Exposed ductwork shall be identified every 20' in mechanical rooms. As described above, ductwork shall be labeled on both sides of floor and wall penetrations.
 - Access Doors: Provide engraved plastic-laminate signs on each access door in ductwork and housings, indicating purpose of access (to what equipment) and other maintenance and operating instructions, and appropriate and procedural information.
- Piping
 - Wrap around plastic identification. Include arrows to show normal direction of flow. For hot non-insulated pipes, install a segment of pipe insulation with appropriate piping identification.

- Locate identification as follows wherever piping is exposed to view in occupied spaces, machine rooms, accessible maintenance spaces (above removable ceilings and the like) and exterior non-concealed locations.
 - Near each valve and control device.
 - Near each branch, excluding short take-offs for fixtures and terminal units; mark each pipe at branch, where there could be question of flow pattern.
 - At locations where pipes pass through walls, floors, ceilings, or enter non-accessible enclosures.
 - At access doors, manholes and similar access points which permit view of concealed piping.
 - At major equipment items and other points of origination and termination.
 - Spaced intermediately at maximum spacing of 20' in spaces with removable ceilings and at each access door in spaces with hard ceilings.
 - Identify non potable piping and outlets.
- Color code piping: Fire protection – red; Gas – yellow; All others – white with appropriate identification.

- Valve Identification

- Provide for brass valve tags on every valve cock and control device in each piping system; exclude check valves, valves within factory-fabricated equipment units, plumbing fixture faucets, convenience and lawn-watering hose bibs, and shut-off valves at plumbing fixtures. HVAC terminal devices and similar rough-in connections of end-use fixtures and units. List each tagged valve in a valve schedule for each piping system.

- Mechanical Equipment Identification

- Provide for engraved plastic laminate sign on or near each major item of mechanical equipment and each operational device. Provide signs for the following general categories of equipment and operational devices:
 - Main control and operating valves, including safety devices.
 - Meters, gauges, thermometers and similar units.
 - Fuel-burning units including boilers, furnaces, and heaters.
 - Pumps, compressors, chillers, condensers and similar motor-driven units.

- Heat exchangers, coils, evaporators, cooling towers, heat recovery units and similar equipment.
- Fans, blowers, primary balancing dampers and VAV boxes.
- HVAC central-station and zone-type units.
- Tanks and pressure vessels.
- Air conditioning indoor and outdoor units.
- AFD's and transmitters and Control Boxes.

Approved Manufacturers:

- Seton
- Brady

Substitutes Allowed:

Yes, if performance and quality equivalency can be evidenced.

Associated Design Standards and Specifications

- 23 05 29 - HANGERS AND SUPPORTS FOR HVAC PIPING AND EQUIPMENT

DESIGN STANDARD for Testing, Adjusting, and Balancing

Purpose:

The testing, adjusting, and balancing (TAB) of heating, ventilating, and air-conditioning systems is an essential element of the mechanical system turnover to the District. This design standard has the purpose of creating a consistent application of TAB requirements throughout the Solano Community College District therefore achieving a standard of quality for maintenance and reliability throughout all renovation and new building projects.

Design Standard:

Work Included: Materials, equipment and labor required for testing, adjusting, and balancing work required by this Standard, including air, hydronic systems, and associated equipment and apparatus. The work consists of setting speed and volume (flow) adjustments, recording data, conducting tests, preparing and submitting reports, and recommending modifications to work as required for complete and operable systems.

- All testing, adjusting, and balancing (TAB) shall be done in accordance with the National Environmental Balancing Bureau (NEBB) or Associated Air Balance Council (AABC).
- Environmental systems, including all equipment, apparatus, and distribution systems, shall be tested and balanced in accordance with the AABC or NEBB procedural standards. Fume hood testing shall be in accordance with the procedure outlined in the AABC manual.
- All instruments used for measurements shall be accurate, and calibration histories for each instrument shall be available for examination. Calibration and maintenance of all instruments shall be in accordance with the requirements of AABC or NEBB.
- Accuracy of measurements shall be in accordance with AABC or NEBB standards.
- In order to verify field capacities of plants, during the operating tests of the chilled water system and/or heating water system, the Contractor shall provide a false load equal to full capacity on the chiller plant/boiler plant and submit data on gpm flow, pressure drop, inlet and outlet temperatures of chilled water/hot water, amperage of chiller, capacity of gas load, and ambient air temperature at condenser.
- In addition, the Contractor shall check the operation of all automatic temperature control equipment; verify all thermostat, aquastat, airstat, etc., set-points and operations; and enlist the aid of the control subcontractor to make necessary adjustment where required.

- Reports:
 - Three copies of the final reports shall be submitted on applicable AABC or NEBB Reporting Forms for review and approval by the Design Consultant and the District.
 - Each individual final reporting form submitted shall bear the signature of the person who recorded the data and the signature of the testing and balancing supervisor of the performing firm.
 - If more than one certified firm performs the TAB work, all final reports shall be submitted by that certified firm having managerial responsibility.
 - Identification of all types of instruments used and their last dates of calibration shall be submitted with the final report.
 - The final test report shall include appropriate reference to all problems regarding the system(s) encountered prior to, during, and after testing and what action was taken to correct the problem(s), including noise and vibration problems.
 - Each report shall include a print (or sketch) reduced in size, showing all supply, return, and exhaust air outlets for easy reference to report data.
 - An approved copy of the balancing report shall be included in the maintenance manual submittal.

Approved Manufacturers:

Section not applicable

Substitutes Allowed:

Section not applicable

Associated Design Standards and Specifications

- All Division 23 Design Standards and Construction Specifications

DESIGN STANDARD for HVAC Insulation

Purpose:

The heating, ventilating, and air-conditioning insulation is an essential element of the mechanical systems. This design standard has the purpose of creating a consistent application of insulation requirements throughout the Solano Community College District therefore achieving a standard of quality for maintenance, energy efficiency, and reliability throughout all renovation and new building projects.

Design Standard:

Work Included: Materials and installation of insulation, jackets and accessories for a complete and operable system.

- General:
 - Adhere to the requirements of the California Energy Code – Title 24, latest edition.
 - Insulation shall be applied on clean, dry surfaces and only after tests and approvals required by the specifications have been completed.
 - All pipe insulation on piping operating below ambient temperature shall be continuous through wall and ceiling openings and sleeves.
 - Insulation on all cold surfaces must be applied with a continuous, unbroken vapor seal. Hangers, supports, anchors, etc., that are secured directly to cold surfaces shall be adequately insulated and vapor sealed to prevent condensation.
 - Specified adhesives, mastics, and coatings shall be applied at the manufacturer's recommended minimum coverage per gallon.
 - Edges of vapor barrier insulation at valve stems, instrument wells, unions, and other raw edges shall be sealed adequately to prevent moisture from penetrating the insulation.
- Fire Hazard Ratings: All insulation shall have composite (insulation jacket and adhesive used to adhere the jacket to the insulation) Fire and Smoke Hazard ratings as tested under procedure ASTM E 84, NFPA 225, and UL 723.

- Insulation Protection Shields
 - To prevent crushing of insulation, insulation protection shields shall be installed at all pipe hangers and supports. Shields shall span an arc of 180°. Provide full size diameter hangers and shields (18 gauge minimum) for piping. Provide 18-inch long, non-compressible insulation section at insulation shields for lines 2 inches and larger.
- Insulation Jacketing
 - Provide aluminum jacketing for all piping located aboveground, outdoors.
- Ductwork
 - In general, duct system shall be insulated with fiberglass blanket. Insulation on all cold surfaces shall be provided with a vapor barrier jacket.
 - Ductwork requiring sound attenuation may utilize duct lining with mold, humidity, and erosion resistant surfaces compliant to UL 181.
- Piping
 - In general, piping systems shall be insulated with fiberglass piping insulation with an all-purpose jacket. Fittings, flanges, and valves shall be insulated with fiberglass inserts and premolded polyvinyl or PVC jackets.
 - Refrigerant piping systems shall be insulated with elastomeric pipe insulation.
 - Calcium silicate or high-temperature fiberglass shall be used in high temperature applications.
 - Special insulation protection shall be considered for areas subject to abuse and moisture, such as outside areas, washdown areas, public areas, and classrooms.
 - Removable insulated jackets shall be provided on all valves.
- Equipment: At a minimum, the following equipment shall be provided with insulation:
 - Air eliminators
 - Boilers
 - Chilled water pump bodies
 - Hot water storage tanks
 - Heat exchangers

- Cold surfaces of chillers
- Flue pipe
- Engine exhaust

Approved Manufacturers:

- Armacell LLC Armaflex
- Certainteed
- Johns Manville
- Knauf
- Owens-Corning Brady

Substitutes Allowed:

Yes, if performance and quality equivalency can be evidenced.

Associated Design Standards and Specifications

- All Division 23 Design Standards and Construction Specifications

DESIGN STANDARD for Variable Frequency Drives

Purpose:

The variable frequency drive is an essential element of variable flow mechanical systems. This design standard has the purpose of creating a consistent application of variable frequency drives throughout the Solano Community College District therefore achieving a standard of quality for maintenance, energy efficiency, and reliability throughout all renovation and new building projects.

Design Standard:

Work Included: Materials and installation for a complete adjustable frequency motor drive consisting of a pulse width modulated (PWM) inverter for use on a standard NEMA Design B induction motor. Design drive specifically for variable torque applications.

- Drives to be UL Listed.
- Solid state, with a Pulse Width Modulated (PWM) output waveform enclosed in a NEMA 1 enclosure (provide other NEMA enclosures as required for application), completely assembled and tested by manufacturer. Employ a full wave rectifier (to prevent input line notching), DC Line Reactor, capacitors, and Insulated Gate Bipolar Transistors (IGBTs) as the output switching.
- Device drive efficiency: 97 percent or better at full speed and full load.
- Fundamental power factor: 0.98 at all speeds and loads.
- Door interlocked thermal magnetic circuit breaker disconnect handle, through-the-door type, and pad-lockable in the "Off" position.
- Provide all VFDs with the same customer interface, including digital display, keypad and customer connections; regardless of horsepower rating. The keypad is to be used for local control (start/stop, forward/reverse, and speed adjust), for setting all parameters, and for stepping through the displays and menus

Approved Manufacturers:

- ABB
- Siemens

- General Electric
- Danfoss
- Yaskawa
- Mitsubishi

Substitutes Allowed:

Yes, if performance and quality equivalency can be evidenced.

Associated Design Standards and Specifications

- 23 05 13 - COMMON MOTOR REQUIREMENTS FOR HVAC EQUIPMENT

DESIGN STANDARD for Facility Natural Gas Systems

Purpose:

The natural gas systems are an essential element of the mechanical heating and domestic water heating systems. This design standard has the purpose of creating a consistent application of natural gas system requirements throughout the Solano Community College District therefore achieving a standard of quality for maintenance and reliability throughout all renovation and new building projects.

Design Standard:

Work Included: Materials, installation, and testing of piping, valves, and appurtenances for natural gas systems for a complete and operable system.

- Size gas piping for estimated maximum demand flow in CFH (using 1000 BTU per cubic foot) per code requirements.
- Steel Pipe (Above Grade Installation):
 - 2 Inches and Smaller: Schedule 40, A53 black steel pipe and threaded black malleable threaded fittings.
 - 2-1/2 Inches and Larger: Schedule 40, A53 black pipe with Schedule 40 butt weld fittings.
 - ASTM A53, electric-resistance welded (Type E) or seamless (Type S), Grade B, black, Schedule 40 pipe, manufactured for threaded or welded pipe connections.
- Steel Pipe (Exterior of Building Below Grade Installations)
 - 2 Inches and Smaller: Schedule 40, A53 black steel pipe and threaded black malleable threaded fittings.
 - 2-1/2 Inches and Larger: Schedule 40, A53 black pipe with butt weld fittings.
 - ASTM A53, electric-resistance welded (Type E) or seamless (Type S), Grade B, black, Schedule 40 pipe, manufactured for threaded or welded pipe connections.
 - Underground Steel Piping Corrosion Protection: Factory wrap un-insulated underground steel piping systems with protective coating composed of a coal-tar saturated wrapping tape over a 20 mil thick coal-tar epoxy coating, equivalent to "Republic X-Tru-Coat." Wrap joints spirally with a minimum overlap of 1/2 tape width.

Extend wrap not less than 3 inches above grade. Provide tinker test to check for holidays. Provide cathodic protection to meet requirements of NACE Standard RP0169-2002

- Polyethylene Pipe (Below Grade Installations at 30 psig and Less Only)
 - Polyethylene pipe, tubing and fittings furnished under this Specification shall conform to applicable provisions and requirements of the latest revision of the US Department of Transportation Pipeline Safety Regulations (CFR) Title 49, Part 192, "Transportation of Natural or Other Gases by Pipeline: Minimum Federal Safety Standards," and, by inclusion, appropriate standards referenced therein.
 - Piping shall be easily traced.
- Natural Gas Valves:
 - 2 Inches and Smaller: Ball valves. UL listed, two-piece construction, threaded, bronze body, conventional port, 250 PSI WOG working pressure
 - 2-1/2 Inches and Larger: 100 to 125 PSI rated, all bronze or iron body/bronze trimmed plug cock type, square head or tee/lever handle operation. CSA approved
- Natural Gas Pressure Regulators: Diaphragm and spring actuated type, with vented relief feature. Construction, pressure range and venting features suitable for intended service. Regulator to meet code and serving utility requirements. Pipe vented type to atmosphere in approved location.
- Provide shutoff valves, pressure regulators and unions at connections to gas-fired equipment. Provide dirt legs at low points.

Approved Manufacturers:

- Valves
 - Apollo
 - Jenkins Bros.
 - Lunkenheimer Co.
 - Nibco
 - Watts

Substitutes Allowed:

Yes, if performance and quality equivalency can be evidenced.

Associated Design Standards and Specifications

- 22 00 00 - BASIC PLUMBING SYSTEM DESIGN
- 22 11 13 - GENERAL PLUMBING PIPING SYSTEMS
- 22 05 12 - PLUMBING PIPE AND FITTINGS

DESIGN STANDARD for Hydronic Piping Systems

Purpose:

The hydronic piping systems are an essential element of the mechanical heating and cooling systems. This design standard has the purpose of creating a consistent application of hydronic piping system requirements throughout the Solano Community College District therefore achieving a standard of quality for maintenance and reliability throughout all renovation and new building projects.

Design Standard:

Work Included: Materials, installation, and testing of pipes and pipe fittings for cooling tower water, chilled water, building heating water, make-up and drain, and valves for a complete and operable system.

- Manual vents are standard but automatic vents can be considered in special situations. Where vent location is high or otherwise inaccessible, the following procedure can be followed: Install valve at vent chamber, then extend 0.375-in. tubing to the nearest janitor sink or mechanical room floor drain and terminate with a ball valve. Use automatic water feed set to maintain proper system pressure. Add cold water makeup at the air vent line above an air-eliminating device.
- Glycol systems shall be equipped with a mix-and-fill tank with manual fill capabilities, hose bib from domestic water for tank filling, and tank level alarm. Direct-connect city makeup lines to glycol systems are NOT permitted.
- Provisions shall be made for draining and air venting of all water coils.
- Closed Loop Water Treatment: All new hot water and chilled water systems that are independent of the central systems shall be arranged for shot feed chemical treatment. In each such system, the equivalent of one Calgon 100L Mircomet pot feeder shall be provided, including pressure gage and flow indicator. The pot feeder to the system shall be hard-piped; using a hose is NOT acceptable.
- Open Tower Water Treatment: All new open loop cooling tower systems shall be provided with a non-chemical treatment system similar to the EnviroTower system.

- After all items of equipment have been connected to the system, the hot and chilled water system shall be chemically cleaned as follows:
 - Drain and refill the system using trisodium phosphate, 1 lb for every 50 gal in the system.
 - Fill, vent, and circulate the system with this solution, allowing it to reach design or operating temperatures.
 - After circulating a few hours, the system should be drained completely, strainers removed and cleaned, dirt legs and pockets opened and cleaned, and then refilled with fresh water.
 - Reduced pressure principal backflow preventers shall be installed on all make-up water lines. Drains shall be piped to the nearest floor drain
- Chilled Water:
 - Pipe Sizes 2-1/2 Inches and Larger: Steel, Schedule 40 with welded or mechanical coupling fittings, copper tubing, type L.
 - Pipe Sizes, 2 Inches and Smaller: Steel, Schedule 40 with threaded fittings, copper tubing, type L.
 - Drain Pipe: Steel, Schedule 40, threaded fittings; copper tubing, type M, soldered fittings
- Heating Water:
 - Pipe Sizes 2-1/2 Inches and Larger: Steel, Schedule 40 with welded fittings, copper tubing, type L.
 - Pipe Sizes, 2 Inches and Smaller: Steel, Schedule 40 with threaded fittings, copper tubing, type L.
 - Drain Pipe: Steel, Schedule 40, threaded fittings; copper tubing, type M, soldered fittings
- Cooling Tower:
 - Pipe Sizes 2-1/2 Inches and Larger: Steel, Schedule 40 with welded, flanged or mechanical coupling fittings.
 - Pipe Sizes, 2 Inches and Smaller: Steel, Schedule 40 with threaded fittings, copper tubing, type L.

- Pressurized Steel Pipe:
 - ASTM A-53-84a, Electric Resistance Welded or Seamless, Grade B: Black, unless otherwise indicated, schedule as specified.
 - ASTM A-135-84, Schedule B: Black unless otherwise specified, schedule as specified
- Manual air vent valves.
 - Operated manually with screwdriver or thumbscrew, 1/8-inch NPS or 1/4-inch NPS connection as require
- Automatic air vent valves.
 - Float type with pressure rating equal to or greater than the system in which it is installed
- Automatic flow control valves.
 - General: Pressure independent design, constructed to provide constant flow over a range of differential pressures, with field adjustable control point.
 - Accuracy: Plus or minus 5 percent.
 - Flow Characteristic. Smooth, continuous curve, void of abrupt changes over the entire range of operation.
 - Construction: Brass body, EPDM O-ring seals, abrasion resistant and non-corrosive thermoplastic cartridge, 1/8-inch pressure ports.
 - Flow adjustment: External adjustment via removable key and numeric dial indicator. Indicator reading to match manufacturer's data chart for calibration and flow reading
 - Pressure/Temperature Rating: 230 PSIG/248F
- Strainers
 - Full line size strainers with ends matching connecting piping materials, machined screen seats, gasketed cap, blow off outlet, minimum 2-1/2 to 1 open area ratio, and Type 304 stainless steel screens with 1/16-inch diameter holes
- Air separators.
 - Line size, pressure rated for 125 PSI. Construct sizes 1-1/2 inches and smaller of cast iron, and sizes 2 inches and larger of steel complying with ASME Boiler and Pressure Code and stamped with the "U" symbol

- Expansion tanks.
 - Welded steel, constructed, tested and stamped in accordance with Section VIII of ASME Boiler and Pressure Vessel Code for working pressure of 125 PSI. Furnish National Board Form U-1 denoting compliance. Support vertical tanks with steel legs or base. Provide single flexible diaphragm securely sealed into tank to separate air charge from system water, to maintain design expansion capacity. Provide pressure gauge and air-charging fitting, and drain fitting. Diaphragm: Removable and replaceable in line
- Liquid flow switches.
 - Brass for all wetted parts, with packless construction, paddle with removable segments for pipe size and flow velocity, vaporproof electrical compartment for switches mounted on cold hydronic piping systems, switches for 115V, 60 Hz, 1-phase with 7.4A rating
- Water pressure relief valves.
 - Size and capacity as selected by installer for proper relieving capacity, in accordance with ASME Boiler and Pressure Vessel Code.
 - Combined Pressure-Temperature Relief Valves: Bronze body, test lever, thermostat, complying with ANSI Z21.22 listing requirements for temperature discharge capacity. Provide temperature relief at 210F, and pressure relief at 125 PSI.
 - Pressure Relief Valves: Bronze body, test lever, ASME rated. Provide pressure relief at 30 PSI
- Water pressure reducing valves.
 - Cast iron or brass body, inlet check valves, inlet strainer removable without system shut down, non-corrosive valve seat and stem factory set at operating pressure required
- Thermometers
 - 3-inch diameter bimetal dial thermometer, stainless steel case, white dial, black numbers, 4-inch stainless steel stem, brass separable socket. Back or bottom connections as required.

Service	Range
Heating Water	50 to 300F
Chilled Water	0 to 120F
Condenser Water	50 to 150F

- Thermometer wells
 - Brass or stainless steel, pressure rated to match piping system design pressure. Provide extensions for insulated piping of length required to extend above insulation used at each location. Provide cap nut with chain fastened permanently to thermometer well
- Pressure gages
 - Type: General use, 1 percent accuracy, ANSI B40.1, Grade A, phosphor bronze bourdon type, bottom connection.
 - Case: Drawn steel or brass, glass lens, 4-1/2-inch diameter.
 - Connector: Brass with 1/4-inch male NPT.
 - Scale: White coated aluminum, with permanently etched markings.
 - Range:
 - Pump Suctions: 30-inch Hg - 60 PSI.
 - Water: 0 - 100 PSI.
- Differential Pressure Switches
 - Sensing Range: 0- to 1.0-inch water column. Diaphragm operated with switching accomplished by photocell controlled relays, adjustable switch setpoints that close contacts on the relay if the differential pressure sensed raised above the setpoint, incorporate a pointer type gauge with divisions of 0.02-inch W.C.
- Instrument probe fittings
 - Brass or stainless steel body and cap, high pressure rated, valve material neoprene, Nordal or Viton to suit temperature range, 1/4 inch or 1/2-inch NPT tailpiece.
- Expansion joints
 - Furnish and install controlled flexing expansion joints where shown or required. Expansion Joints: Minimum of 150 PSI working pressure.
 - For copper piping, 3/4 inch through 3 inches, use Type HB, 1-3/4-inch traverse two-ply stainless steel bellows, traveling nipple extended through bellows and guided each end, integral shroud, screwed steel ends.

- For steel piping, 1-1/2 inches through 8 inches externally pressurized. 4-inch traverse, 150 PSI working pressure, stainless steel bellows, 150 PSI flanged ends, furnish insulation shroud

- Pipe guides
 - Install where using expansion joints to avoid pipe buckling
- Pipe anchors
 - Install where using expansion joints to avoid pipe displacement

Approved Manufacturers:

- Manual air vent valves.
 - Armstrong
 - Bell & Gossett
 - Hoffman
 - Spirax
 - Sarco
- Automatic air vent valves.
 - Taco
 - Bell & Gossett
 - Hoffman
- Automatic flow control valves.
 - Griswold
 - Taco
 - Bell & Gossett
- Strainers
 - Mueller
 - Armstrong



- Hoffman
- Wheatley
- Victaulic (where mechanical couplings are allowed)

- Air separators.

- Amtrol
- Armstrong
- Bell & Gossett
- Taco
- Wheatley

- Expansion tanks.

- Mueller
- Amtrol
- Armstrong
- Taco
- Bell & Gossett

- Liquid flow switches.

- McDonnell & Miller
- Dwyer

- Water pressure relief valves.

- Amtrol
- Bell & Gossett
- Spirax Sarco
- Watts Regulator

- Water pressure reducing valves.

- Amtrol

- Armstrong Pumps
- Bell & Gossett
- Taco

- Thermometers

- Ashcroft
- Terice
- Weiss

- Thermometer wells

- Ashcroft
- Terice
- Weiss

- Pressure gages

- Amtek/U.S. Gauge
- Ashcroft, Palmer
- Marshaltown Instruments
- Terice
- Weiss
- Weksler

- Expansion joints

- Flexonics
- Mason Industries
- Amber-Bush
- Metraflex

- Pipe guides

- Flexonics

- Mason Industries
- Amber-Bush
- Metraflex
- Pipe anchors
 - Flexonics
 - Mason Industries
 - Amber-Bush
 - Metraflex

Substitutes Allowed:

Not Applicable

Associated Design Standards and Specifications

- 23 05 10 – HVAC PIPING
- 23 05 29 - HANGERS AND SUPPORTS FOR HVAC PIPING AND EQUIPMENT
- 23 05 53 - IDENTIFICATION FOR HVAC PIPING AND EQUIPMENT

DESIGN STANDARD for Heating Water Systems

Purpose:

The heating water systems are an essential element of the mechanical space heating systems. This design standard has the purpose of creating a consistent application of heating water system requirements throughout the Solano Community College District therefore achieving a standard of quality for maintenance, energy efficiency, and reliability throughout all renovation and new building projects.

Design Standard:

Work Included: Materials, installation, and testing of heating water system for a complete and operable system.

- Radiant Ceiling Panels
 - Design complete radiant heating/cooling ceiling system. The radiant panels consist of 0.040-inch aluminum faceplate, 1/2-inch ID copper serpentine coil metallurgically bonded to face plate, with a 1-1/2-inch thick, 3/4 lb. density glass fiber acoustic pad installed over panels. Panel interconnecting piping to be Type "L," soft copper, with wrought bronze or hard temper connection to valved outlets in the radiant panel circulating system. Panel finished with baked enamel finish
 - Panels to be designed as an installed system with the supplier providing interconnecting piping and the pipe between the panel system and the control valve
- Hot water heating coils:
 - Designed to be counter-flow
 - Coil construction (downstream of air handlers): copper coils, aluminum fins
 - Coil construction (inside of air handlers): copper coils, aluminum fins
 - Coil construction (Solano, exposed to outdoor air): copper coils, copper fins
- Horizontal hydronic unit heaters
 - Blow through unit with heating water coil, propeller fans with motor, three-speed switch, 18 gauge galvanized steel casing, fan guard, adjustable discharge louvers



- Coils: 1/2-inch OD copper tubes with aluminum fins mechanically bonded to the tubes, 5/8-inch OD male sweat fittings. Coils are leak tested at 350 PSIG minimum air pressure, suitable for working pressures up to 250 PSIG with air vents
- Motors: Permanent split capacitor type with built-in thermal overload protection
- Cabinet Heaters:
 - Blow-through design with direct drive motor and forward curved double inlet fans in the airstream below the coil. Internal surfaces are either painted or are constructed of galvanized steel. Baked enamel finish on cabinet
 - Heating water constructed of copper tubing mechanically expanded into aluminum fins. Joints are brazed with high temperature silver alloy
- Hot Water Convectors
 - Partially or fully recessed cabinet constructed of 16 gauge steel. Fasteners to be tamperproof Allen-Head machine screws. Access doors flush mounted with tamperproof latches. Exposed corners to have formed 1-inch radius cabinet to be phosphatized and painted inside and out with baked on primer and baked enamel finish
 - Grilles to be die-cast formed with directional louvers
 - Heating element to consist of 1/2-inch OD copper tube and aluminum fins and 1-1/4-inch steel headers. Test heating element at 200 PSI hydrostatic pressure
- Finned Tube Radiator
 - Copper Aluminum Elements: Manufacture copper aluminum heating elements of seamless copper tube permanently bonded to aluminum fins by a mechanical process
 - Provide enclosure
- Heat Exchangers
 - Plate and Frame Exchanger: Pressure plate and frame supporting heat transfer plates to be carbon steel. Heat transfer surfaces to be corrugated Type 304 stainless steel. Piping connections to be ANSI flanges. Minimum 150 PSIG working pressure to conform to ASME rules for pressure vessels. Install as recommended by manufacturer and provide adequate clearance for cleaning

Approved Manufacturers:

- Radiant Ceiling Panels
 - Airtex Corporation
 - TROX
- Hot water heating coils
 - Trane
- Horizontal hydronic unit heaters
 - Trane
- Cabinet Heaters
 - Trane
 - Carrier
- Hot Water Convectors
 - Trane
- Finned Tube Radiator
 - Trane
- Heat Exchangers
 - Bell & Gossett
 - Taco

Substitutes Allowed:

No substitutions allowed.

Associated Design Standards and Specifications

- 23 05 10 – HVAC PIPING
- 23 05 53 - IDENTIFICATION FOR HVAC PIPING AND EQUIPMENT

DESIGN STANDARD for Chilled Water Systems

Purpose:

The chilled water systems are an essential element of the mechanical space cooling systems. This design standard has the purpose of creating a consistent application of chilled water system requirements throughout the Solano Community College District therefore achieving a standard of quality for maintenance, energy efficiency, and reliability throughout all renovation and new building projects.

Design Standard:

Work Included: Materials, installation, and testing of chillers and cooling towers for building cooling and associated accessories for a complete and operable system.

- All chilled water systems shall have refrigerant systems that meet all LEED requirements for refrigerant use with regards to ozone depletion and global warming.
- Air-Cooled Chiller:
 - Air-cooled, reciprocating or screw type, dual independent refrigerant circuits with lead-lag switch, assembled at the factory on a steel base. Individual performance test at full and part load conditions. Units to be leak tested and provided with a full operating charge of refrigerant
 - Design on Solano campus shall provide casing and all components in contact with the outdoor environments to be corrosion resistant
 - Design with integration to campus wide control system
- Evap-Cooled Chiller:
 - Evap-cooled, reciprocating or screw type, dual independent refrigerant circuits with lead-lag switch, assembled at the factory on a steel base. Individual performance test at full and part load conditions. Units to be leak tested and provided with a full operating charge of refrigerant
 - Design on Solano campus shall provide casing and all components in contact with the outdoor environments to be corrosion resistant
 - Design with integration to campus wide control system

- Water-Cooled Chiller:
 - Water cooled, centrifugal type, assembled at the factory on a steel base. Individual performance test at full and part load conditions. Units to be leak tested and provided with a full operating charge of refrigerant
 - Locate indoors in a refrigeration machinery rooms
 - Design with variable frequency drive
 - Design with integral touch screen control panel
 - Design with integration to campus wide control system
- Induced Draft Counterflow Cooling Tower:
 - Factory assembled, sectional, counterflow, induced draft design. Fan assemblies built completely into the pan with moving parts factory mounted and aligned.
 - All steel components: Hot-dip galvanized steel with cut edges given a protective coat of zinc-rich compound, with a final coating of zinc chromated aluminum.
 - Stainless steel sumps.
- Ice Storage Systems:
 - Installed in manufacturers steel tanks or underground insulated concrete tanks.
 - Contained within the tank shall be a steel heat exchanger that is constructed of 1.05" O.D., all prime surface serpentine steel tubing encased in a steel framework. The coil, which is hot-dip galvanized after fabrication, shall be pneumatically tested at 190 psig and rated for 150 psig operating pressure. The coil circuits are configured to provide maximum storage capacity. The coil connections on the unit are galvanized steel and are grooved for mechanical coupling.
- Heat Exchangers
 - Plate and Frame Exchanger: Pressure plate and frame supporting heat transfer plates to be carbon steel. Heat transfer surfaces to be corrugated Type 304 stainless steel. Piping connections to be ANSI flanges. Minimum 150 PSIG working pressure to conform to ASME rules for pressure vessels. Install as recommended by manufacturer and provide adequate clearance for cleaning

Approved Manufacturers:

- Air-Cooled Chiller:
 - Trane
 - Carrier
 - York
- Evap-Cooled Chiller:
 - Governair
- Water-Cooled Chiller:
 - Trane
 - Carrier
 - York
- Induced Draft Counterflow Cooling Tower:
 - BAC
- Ice Storage Systems:
 - BAC
- Heat Exchangers
 - Bell & Gossett
 - Taco

Substitutes Allowed:

No substitutes allowed.

Associated Design Standards and Specifications

- 23 05 10 – HVAC PIPING
- 23 05 53 – IDENTIFICATION FOR HVAC PIPING AND EQUIPMENT
- 23 21 05 – HYDRONIC PIPING SYSTEMS

DESIGN STANDARD for Hydronic Pumps

Purpose:

The hydronic pumps are an essential element of the mechanical space cooling and heating systems. This design standard has the purpose of creating a consistent application of hydronic pump requirements throughout the Solano Community College District therefore achieving a standard of quality for maintenance, energy efficiency, and reliability throughout all renovation and new building projects.

Design Standard:

Work Included: Materials, installation and testing of pumps for a complete and operable system.

- General:
 - Factory-tested pumps cleaned and painted with enamel prior to shipment. Do not install any pumps at Solano College in contact with the outdoor environment.
 - All pumps shall have bronze impellers.
 - A single gage shall be connected to the discharge and suction side of each pump and across the strainer so that the differential pressure can be observed.
- Pumps – Closed Coupled
 - Closed-coupled pumps are not permitted over 0.5 hp.
- Pumps – Base Mounted, End Suction
 - Pumps shall be electric-motor-driven, centrifugal, single-suction, single-stage pumps. Pumps shall be bronze fitted, with bronze impeller, with close-grained semi-steel vertically split casing (125 psi), provided with mechanical seals designed for the operating conditions shown on the plans. Pumps shall be provided with sleeve bearings and an oil reservoir. A drop-out coupling shall be provided.
 - Pumps shall have a sleeve bearing, specially selected for quiet operation at 1750 rpm. The motor size shown on the drawing shall be the minimum acceptable. A pump motor should operate within the service factor of the motor, providing that the service factor is acceptable to the pump manufacturer. The motor shall not exceed the nominal hp at the specified delivery and head.

- Discharge increasers shall be concentric and located at the pump discharge nozzle. Suction pipe reducers shall be eccentric, located at the pump suction nozzle and at least five diameters of straight pipe shall be installed before the inlet or along the sweep elbow. (Suction diffusers in lieu of straight pipe section may be used.) A 0.75-in. drain shall be provided from each base plate to the nearest floor drain.
- Pumps shall be selected so that the ratio of impeller diameter to the maximum diameter possible in the casing shall not exceed 0.85. A purge cock shall be provided in the casing and gage tappings shall be provided in pump suction and discharge.
- All piping connections to pumps shall be supported independently so that no strain is imposed on the pump casing.
- Pumps installed on “slab-on grade” shall be mounted on a 6-in. high concrete pad with anchor bolts. The space between pad and base shall be grouted to eliminate all voids.
- Pumps shall have rear pull-out design for removal of the impeller without disturbing the motor alignment or piping.
- Pumps installed on supported slabs shall be provided with concrete inertia subbases with spring isolators.

- In-Line Pumps

- Pumps shall be centrifugal and single-stage, complete with motor, mechanical seals, bronze fittings, bronze impellers, and a flexible coupler with safety guard. The pumps shall also be dynamically and hydraulically balanced.
- The pump motor shall be supported independently.

Approved Manufacturers:

- Pumps – Base Mounted, End Suction

- Bell & Gossett
- Taco
- Paco

- In-Line Pumps

- Bell & Gossett
- Taco

- Paco

Substitutes Allowed:

No substitutions allowed.

Associated Design Standards and Specifications

- 23 05 10 – HVAC PIPING
- 23 05 53 - IDENTIFICATION FOR HVAC PIPING AND EQUIPMENT
- 23 21 05 - HYDRONIC PIPING SYSTEMS

DESIGN STANDARD for Ductwork

Purpose:

Ductwork is an essential element of the mechanical space cooling and heating systems. This design standard has the purpose of creating a consistent application of ductwork requirements throughout the Solano Community College District therefore achieving a standard of quality for maintenance, energy efficiency, and reliability throughout all renovation and new building projects.

Design Standard:

Work Included: Materials, installation and testing of HVAC ductwork and accessories, including the following:

- » Heating and air conditioning supply and return systems
 - » Outside air systems
 - » Exhaust systems
 - » Ductwork hangers
 - » Plenums
 - » Gas vents
- Galvanized Steel Ductwork: Carbon steel, lock-forming quality, hot-dip galvanized, with spangle-type zinc coating, double seam without showing fracture. Conform to ASTM A525 and A527.
 - ASHRAE and/or SMACNA shall be used as a guide.
 - Design medium pressure ductwork at 0.1"/100' pressure drop
 - Design low pressure ductwork at 0.08"/100' Pressure classification shall be specified on the drawings.
 - All metal ductwork shall be crossbroke to ensure rigidity.
 - Inlet and discharge ductwork configuration shall conform to the SMACNA HVAC Duct Design Manual.
 - Seismic restraints shall be designed per SMACNA requirements

- All ductwork located outdoors shall be designed to be waterproof and sloped for water run-off
- Flexible ducts:
 - Standard factory fabricated product, construct an inner wall of impervious vinyl or chlorinated polyethylene, permanently bonded to a vinyl or zinc-coated spring steel helix. Cover the assembly with fiberglass blanket insulation covered by an outer wall of vinyl or fiberglass-reinforced metalized vapor barrier. UL 181 listed Class 1 flexible air duct material. Overall thermal transmission no more than 0.25 (BTU/in)/(hr/sq.ft./deg. F) at 75F differential, per ASTM C335. Vapor transmission value no more than 0.10 perm, per ASTM E96. Rated for a minimum of 4-inch w.g. positive pressure and 1-inch w.g. negative pressure. Air friction correction factor of 1.3 maximum at 1000 FPM. Working air velocity of at least 2000 FPM. Flame spread rating no more than 25. Smoke development rating no more than 50 as tested per ASTM E84. Must have cataloged data on insertion loss characteristics, minimum attenuation of 29 DB for 10-foot straight length at 8-inch diameter and 500 Hz.
 - Install flexible duct with bend radius equal to 1.5 times the diameter. Minimum length 2 feet. Maximum length 5 feet.
 - Provide round neck grilles/diffusers or square-to-round transitions. No flex duct connections directly to square neck allowed.
 - Flex duct allowed only for vertical drops to diffusers. Maximum offset angle from vertical: 30 degrees.
 - Approved for use on supply ducts only; not allowed for return or exhaust.
 - Flex duct allowed in concealed spaces above lay-in ceilings only
- Positive pressure gas vents:
 - Doublewalled insulated piping system. Construct the inner wall of at least 0.035-inch-thick Type 304 stainless steel. Construct the outer wall of at least 0.025-inch-thick aluminized steel. Fabricate duct to provide space between the inner and outer walls of at least 1 inch. List system by UL as 1400F Factory Built Chimneys with 2-inch clearance to combustibles for use with No. 2 fuel oil-fired equipment. Join sections by means of a system, capable of sealing gastight to pressure up to at least 60-inch w.g. for temperatures up to 600F. Fittings of the same manufacture and construction as the straight sections

- Gravity gas vents:
 - Type "B" factory fabricated, UL listed, doublewall flue, with aluminum inner wall, galvanized steel outer wall and 1/2-inch air space between unless noted otherwise. Provide twist-lock connectors, tall cone flashing, storm collar, and round birdproof/weatherproof top

Approved Manufacturers:

- Flexible ducts
 - J. P. Lamborn Co.
 - Norflex
 - Clevaflex
 - Genflex
 - Atco
 - Flexmaster
 - Thermaflex
- Positive pressure gas vents
 - Ampco
 - Selkirk
 - Metalbestos IPS
- In-Line Pumps
 - Ampco
 - Selkirk
 - Metalbestos IPS

Substitutes Allowed:

Yes, if performance and quality equivalency can be evidenced.

Associated Design Standards and Specifications

- 23 05 29 - HANGERS AND SUPPORTS FOR HVAC PIPING AND EQUIPMENT
- 23 05 48 - VIBRATION AND SEISMIC CONTROLS FOR HVAC PIPING AND EQUIPMENT
- 23 05 53 - IDENTIFICATION FOR HVAC PIPING AND EQUIPMENT

DESIGN STANDARD for Ductwork Accessories

Purpose:

Ductwork is an essential element of the mechanical space cooling and heating systems. This design standard has the purpose of creating a consistent application of ductwork requirements throughout the Solano Community College District therefore achieving a standard of quality for maintenance, energy efficiency, and reliability throughout all renovation and new building projects.

Design Standard:

Work Included: Materials, installation, and testing of HVAC duct accessories such as volume dampers, splitter dampers, adjustable deflectors, duct access doors, backdraft dampers, fire dampers, duct silencers, spin-in fittings, and smoke dampers

- Volume Dampers
 - Construct of galvanized sheets not lighter than 18 gauge, reinforced to prevent vibration, equipped at both ends with brass bearing mounts and of sufficient length to provide a complete shutoff of the duct
 - Provide each damper with an adjustment and locking quadrant device for accessible locations, or remote type for non-accessible locations. Provide operating rod and attaching devices as required. Provide raised platform for insulated duct
- Barometric Dampers (Large): Frame and blades fabricated from 0.063 mill finish aluminum. Blades have polyurethane edge seals. 1/2-inch diameter aluminum blade shafts with bronze bearings. Adjustable counterweight. Blades start to open at 0.05-inch APD - 55 FPM. Blades fully open at 0.06-inch APD - 680 FPM. Manufacturers: Louvers & Dampers, Ruskin, Cesco, Greenheck, Prefco, or approved
- Backdraft Dampers (small): All welded 14 gauge aluminum, with blades pivoting off center, double crimped front and rear, polyurethane seals. Link blades to work in unison, pivoting in ball bearings, and provide adjustable counterweights attached to the blades. . Blades start to open at 0.05-inch APD - 55 FPM. Blades fully open at 0.06-inch APD - 680 FPM. Frames: Channel type with flanges to facilitate mounting. Manufacturers: Louvers & Dampers, Ruskin, Cesco, Greenheck, Prefco, or approved
- Control Dampers: Provide automatic control dampers as indicated. Airfoil, multiblade type, maximum blade length of 48 inches. Provide parallel blades for positive or modulating mixing

service and opposed blades for throttling service. Blades to be interlocking, minimum 16 gauge galvanized steel. Damper blades reinforced, have continuous full length axle shafts and/or operating jackshafts as required to provide coordinated tracking of blades. Dampers over 25 sq.ft. in area to be in two or more sections, with interconnecting blades. Dampers to have a maximum air leakage of 15 CFM psf at 4-inch w.g. pressure. Provide automatic dampers except those specified with units. Manufacturers: Alerton, Auto-Matrix, Honeywell, Johnson Controls, Staefa, Siemens, Trane, Siebe

- Fire smoke damper: Motorized fire/smoke damper with motor. 22 gauge roll form galvanized steel with a 120VAC motor for motorized operation. Standard UL 212F fusible link. Provide smoke detector at each damper per code. Dynamic type. The fire dampers to be U.S. standard for 1-1/2 hour listing. Motors to be UL listed. Provide the thermal protection via the fusible link. Damper to be normally closed. Minimum leakage Class II damper. Provide with automatic reset. Damper to fail closed when power is interrupted to actuator.
- Filters: Provide minimum Merv-13 filters for LEED projects. Size for maximum velocity of 500 feet per minute. Filters shall be standard dimensions.
- Moisture eliminators: stainless steel moisture eliminator media, contained in an all stainless steel frame. Provide at all outside air intakes for equipment at Solano College.

Approved Manufacturers:

- Volume dampers
 - Ruskin
 - Greenheck
 - Penn
 - Nailor
 - Cesco
- Backdraft dampers
 - Ruskin
 - Greenheck
 - Penn
 - Nailor

- Cesco
- Control dampers
 - Ruskin
 - Greenheck
 - Penn
 - Nailor
 - Cesco
- Fire Smoke Dampers
 - Ruskin
 - Greenheck
 - Penn
 - Nailor
 - Cesco
- Filters
 - American Air Filter

Substitutes Allowed:

No substitutions allowed on Filters.

Associated Design Standards and Specifications

- 23 31 00 - DUCTWORK

DESIGN STANDARD for Fans

Purpose:

Fans are an essential element of the mechanical space ventilation, cooling, and heating systems. This design standard has the purpose of creating a consistent application of fan requirements throughout the Solano Community College District therefore achieving a standard of quality for maintenance, energy efficiency, and reliability throughout all renovation and new building projects.

Design Standard:

Work Included: Materials, installation, and testing of fans used for ventilation and exhaust service for a complete and operating system

- Fans shall be AMCA rated for sound and air performance.
- All fans shall be statically and dynamically balanced and test run at the factory.
- The motor horsepower shall not be less than 120% of fan bhp, non-overloading.
- Where variable speed drives are utilized, consider use of direct drive fans to reduce maintenance for belts. Consider fan’s critical speed in selection of direct drive fans with variable speed operation.
- Fan types shall include but not be limited to:
 - Sidewall exhaust fans
 - Centrifugal belt drive roof exhaust fans
 - Utility sets
 - Inline cabinet fans
 - Plug fans
 - Wall propeller exhaust fans
 - Transfer filter fans
 - Duct mounted inline fans
 - Air curtains



- Dust Collectors

- Design with material handling exhaust fan, heavy duty cotton sateen filters, explosion vent, (top mounted discharge silencer if required for acoustical attenuation) dust storage hopper. Housing of 14 gauge hot rolled steel base with extended legs providing 42 inch clearance below hopper. Paint Finishes: One coat zinc chrome primer on interior and one coat grey machinery enamel on exterior.
- Heavy duty industrial type material handling direct drive exhaust fan.
- Filters: High efficient cotton sateen fabric with an efficiency rating of 99.9 percent by weight, allowing recirculation of the air. The filter pockets must have a metal insert to prevent the filter from collapsing and to maintain a positive connection to the filter shaker during the cleaning cycle. Foam inserts will not be allowed.
- Motorized shaker complete with motor. Solid state field adjustable controller governing shaking cycle duration, automatically actuated at each fan shutdown. Shaker must be high frequency type for maximum cleaning.
- Factory mounted and wired NEMA 4 control panel including magnetic starters with heaters for the blower motor and shaker motor. Single point electrical connection, provide for field wiring required for internally mounted start/stop station supplied by factory.
- Explosion vent designed for vacuum service to be supplied with the dust collector for field installation. The explosion vent is to be the same diameter as the main duct and installed in "T" connection at the highest point prior to entering the dust collector.

- Energy Recovery Units

- General: Outdoor heat recovery ventilator designed for rooftop or indoor mounting with separate supply and exhaust blowers.
- Weatherproof, galvanized steel frame and panels, with 18 gauge steel where panels are exposed to the weather. Overlapping top seams. If used at Solano College, casing shall be corrosion resistant.
- Provide moisture eliminator testing in accordance with AMCA Standard 500-L to prevent water penetration up to 3 inches per hour at 29 miles per hour.
- Insulation: 1-inch fiberglass, meeting UL 181 erosion requirements.
- Energy Recovery Wheel: Silica gel enthalpy type and ARA certified to Standard 1060. Polymer media construction. Drive Belt: High strength urethane.

- Access Doors: Removable for servicing components.

- Roof Curb: Weathertight with gasket and designed to carry gravity and seismic loads.

Approved Manufacturers:

- Fans

- Greenheck
- Cook
- Penn
- Twin Cities

- Air curtains

- Mars
- Dravo Corporation
- Berner International

- Dust collectors

- Sternvent
- Torit
- American Air Filter

- Energy recovery units

- Greenheck
- Innovent
- Aaon
- Haakon

Substitutes Allowed:

Yes, if performance and quality equivalency can be evidenced.

Associated Design Standards and Specifications

- 23 05 29 - HANGERS AND SUPPORTS FOR HVAC PIPING AND EQUIPMENT
- 23 05 48 - VIBRATION AND SEISMIC CONTROLS FOR HVAC PIPING AND EQUIPMENT
- 23 05 53 - IDENTIFICATION FOR HVAC PIPING AND EQUIPMENT
- 23 05 93 - TESTING, ADJUSTING AND BALANCING
- 23 31 00 - DUCTWORK

DESIGN STANDARD for Air Terminal Units

Purpose:

Air terminal units are an essential element of the mechanical space ventilation, cooling, and heating systems. This design standard has the purpose of creating a consistent application of air terminal unit requirements throughout the Solano Community College District therefore achieving a standard of quality for maintenance, energy efficiency, and reliability throughout all renovation and new building projects.

Design Standard:

Work Included: Materials, installation and testing for variable air volume terminal units, including reheat central air terminals for a complete and operating system

- Variable air volume (VAV) systems shall typically be zoned so that three to five offices are ganged on a temperature sensor. Offices grouped together shall be ganged in a logical manner, such as having the same floor area, building face exposure, and similar internal loads. Corner zones shall always be an independent zone not connected to any other rooms.
- VAV boxes shall have a minimum position setting for ventilation air requirements.
- Use of reheat coils shall be limited to hot water reheat coils. Utilize two row coils only where necessary to meet space temperature loads. 5/8-inch OD seamless copper tubes mechanically expanded to aluminum fins. 150 PSIG working pressure. Sweat connections.
- VAV boxes with perimeter radiation shall be sequenced from the same room temperature sensor to ensure that the systems do not “fight” each other.
- VAV boxes that are DDC type shall have factory-installed controls. Controls are to be furnished by the controls contractor.
- When multiple boxes are used to serve a single zone, all shall be controlled from a single thermostat.
- Location of all boxes shall be accessible for maintenance.
- Box controls shall be pressure independent.

Approved Manufacturers:

- Air terminal units
 - Trane
 - Titus
 - Tuttle & Bailey
 - Krueger
 - Price
 - Carnes
 - Nailor

Substitutes Allowed:

No substitutions allowed.

Associated Design Standards and Specifications

- 23 05 29 - HANGERS AND SUPPORTS FOR HVAC PIPING AND EQUIPMENT
- 23 05 53 - IDENTIFICATION FOR HVAC PIPING AND EQUIPMENT
- 23 05 93 - TESTING, ADJUSTING AND BALANCING
- 23 31 00 – DUCTWORK

DESIGN STANDARD for Air Outlets and Inlets

Purpose:

Air outlets and inlets are an essential element of the mechanical space ventilation, cooling, and heating systems. This design standard has the purpose of creating a consistent application of air outlets and inlets throughout the Solano Community College District therefore achieving a standard of quality for maintenance and reliability throughout all renovation and new building projects.

Design Standard:

Work Included: Materials, installation, and testing of HVAC outlets and inlets for a complete and operating system

- Where possible, balancing dampers shall be located at the branch take-off instead of at the diffuser to reduce air noise. Where this is not possible, the damper at the diffuser shall be screwdriver operated
- Grilles, registers, and diffusers:
 - Indicate 1-, 2-, 3-, or 4-way deflection so as to reduce chances of drafts
 - Coordinate mounting frames with construction types per finish schedule
 - Provide components that have velocity, throw and drop, and noise criteria ratings for each size device as listed in manufacturer's current standard literature, which are plus or minus 10 percent of the components as listed in the Diffuser, Register and Grille Schedule, or as specified herein
- Gravity intake and relief penthouses:
 - Stormproof, gravity type. Penthouse: Aluminum or fiberglass. Cover: Removable and lined with fiberglass insulation to prevent condensation. Provide birdscreen, roof curb, and anti-condensation coating

Approved Manufacturers:

- Grilles, registers, and diffusers:
 - Titus

- Tuttle & Bailey
- Krueger
- Price
- Carnes
- Nailor
- Gravity intake and relief penthouses
 - Acme
 - Breidert
 - Carnes
 - Greenheck
 - JencoFan
 - ILG
 - Cook
 - Penn

Substitutes Allowed:

Yes, if performance and quality equivalency can be evidenced.

Associated Design Standards and Specifications

- 23 05 93 - TESTING, ADJUSTING AND BALANCING
- 23 31 00 – DUCTWORK

DESIGN STANDARD for Heating Boilers and Accessories

Purpose:

The boiler systems are an essential element of the mechanical space heating systems. This design standard has the purpose of creating a consistent application of boiler requirements throughout the Solano Community College District therefore achieving a standard of quality for maintenance, energy efficiency, and reliability throughout all renovation and new building projects.

Design Standard:

Work Included: Materials, installation, and testing of hot water boilers for building heating, and associated accessories for a complete and operable system.

- Boilers shall be located under cover for protection from tree debris and rain. It is preferable for all boilers to be located indoors.
- Boilers shall be located at grade level at a point accessible by hand truck from a service vehicle.
- Condensing boilers are not acceptable due to high maintenance cost.
- Furnish with trim per California Fired Pressure Vessel Safety Order (Title 17) including dual low water cut outs, dual gas valves.
- Automatic reset low water cut out shall include automatic feed for increased safety (McDonald-Miller or equal).
- Provide line pressure manual quick fill valve.
- Boilers 100,000 BTUH and smaller.
 - Cast iron or steel tube with atmospheric burners.
 - 80% minimum thermal efficiency
- Boilers 100,000 BTUH to 2,000,000 BTUH
 - Copper fin or steel tube with atmospheric burners
 - 80% minimum thermal efficiency
 - Access required to fire box, control panel, Low Water Cut Outs.



- Boilers 2,000,000 BTUH and Greater
 - Boiler permit required from air pollution control district as required.
 - Provide Powered Burners If low NOX is required.
 - Provide Best Available Control Technology (BACT) for NOX emissions.
 - Steel or fire tube design acceptable.
 - 80% minimum thermal efficiency

Approved Manufacturers:

- Boilers
 - Clever Brooks
 - Kawahnee
 - Ajax
 - Rite
 - Lochinvar
 - Raypack

Substitutes Allowed:

No substitutions allowed.

Associated Design Standards and Specifications

- 23 05 10 – HVAC PIPING
- 23 05 53 - IDENTIFICATION FOR HVAC PIPING AND EQUIPMENT
- 23 21 05 - HYDRONIC PIPING SYSTEMS

DESIGN STANDARD for Refrigeration

Purpose:

The refrigeration systems are an essential element of the mechanical cooling systems. This design standard has the purpose of creating a consistent application of refrigerant system requirements throughout the Solano Community College District therefore achieving a standard of quality for maintenance and reliability throughout all renovation and new building projects.

Design Standard:

Work Included: Materials, installation and testing of refrigeration devices for air conditioning applications for a complete and operable system.

- All refrigerant systems shall have refrigerant systems that meet all LEED requirements for refrigerant use with regards to ozone depletion and global warming.
- Refrigerant liquid and suction piping shall be type L, hard drawn ACRS tubing.
- A nitrogen purge shall be maintained when soldering all joints. Copper-to-copper joints shall be made with a brazing alloy similar to Sil-Fos. Copper-to-brass joints shall be made with silver solder.
- Main piping fittings for dryers, sight glasses, expansion valves, and controls shall be flare or compression-type fittings.
- Prior to being charged with refrigerant, the system shall be evacuated to 500 microns and held for at least 24 hours under this vacuum.
- Double-suction risers shall be employed on systems with capacity reduction and where required by lift.
- Precharged lines are not acceptable.
- Isolation valves shall be provided at all specialties.
- Installations shall be complete with dryers, sight glass, and thermostatically-controlled solenoid valves for pump down operations.
- Where defrost units are required, they shall be operated electrically with adequate space provided to replace defrost elements. Defrost shall not be limited to electrical units. In larger installations, hot gas defrost is preferred.

- Installations shall be provided with necessary protective devices including, but not limited to, electric overload devices, low-suction pressure cutouts (manual reset), high head pressure cutouts (manual reset), low-lube oil pressure cutouts (manual reset), oil traps, crankcase heaters, and antirecycling.
- Condensing systems shall be designed for low ambient conditions, using variable-frequency fans or fan staging when required for 24/7 cooling.
- Condensing systems shall be provided for corrosion resistant when installed at Solano College

Approved Manufacturers:

- Condensing Units.
 - Carrier
 - Bryant
 - Lennox
 - Rheem
 - Trane
- Mini Split Systems
 - Carrier
 - Friedrich
 - Mitsubishi
 - Sanyo
 - Daiken
- Computer Room Units
 - Liebert
 - Stulz
 - APC

Substitutes Allowed:

No substitutions allowed.

Associated Design Standards and Specifications

- 23 05 10 – HVAC PIPING
- 23 05 29 - HANGERS AND SUPPORTS FOR HVAC PIPING AND EQUIPMENT
- 23 05 53 - IDENTIFICATION FOR HVAC PIPING AND EQUIPMENT

DESIGN STANDARD for Packaged Air Conditioning Units

Purpose:

Packaged air conditioning units are an essential element of the mechanical space ventilation, cooling, and heating systems. This design standard has the purpose of creating a consistent application of packaged air conditioning unit requirements throughout the Solano Community College District therefore achieving a standard of quality for maintenance, energy efficiency, and reliability throughout all renovation and new building projects.

Design Standard:

Work Included: Materials, installation, and testing of fans used for ventilation and exhaust service for a complete and operating system

- On campuses where a central chilled water system is available, package A/C units are not preferable due to higher energy consumption and increased maintenance costs.
- Air-cooled packaged air conditioning equipment shall be equipped with low ambient cooling if systems are not provided with economizers or if systems serve a 24/7 load.
- All units shall have a dedicated set of minimum outside air dampers for ventilation requirements. The dampers shall be two-position, and a second set of modulating outside air dampers shall be provided, as required, for economizer operation or tracking with exhaust air.
- Rooftop package air conditioners 5 ton and larger shall be mounted on structural steel channel curbs with curb vibration isolation rails. Smaller units may be mounted on the manufacturer's prefabricated curbs. Units located outdoors at Solano College shall be corrosion proof, including their steel supports.
- Where hot water is not available, a gas-fired heat exchanger shall be used. (An electric heating coil is NOT acceptable.)
- Casings shall be double-walled, with hinged access doors where available as an option.

Approved Manufacturers:

- Light Commercial Package A/C Units
 - Carrier

- York
- McQuay
- Trane
- Commercial Package A/C Units
 - Mammoth
 - Governair
 - Petra
- Mini Split Systems
 - Carrier
 - Friedrich
 - Mitsubishi
 - Sanyo
 - Daiken
- Computer Room Units
 - Liebert
 - Stulz
 - APC

Substitutes Allowed:

No substitutions allowed.

Associated Design Standards and Specifications

- 23 05 29 - HANGERS AND SUPPORTS FOR HVAC PIPING AND EQUIPMENT
- 23 05 48 - VIBRATION AND SEISMIC CONTROLS FOR HVAC PIPING AND EQUIPMENT
- 23 05 53 - IDENTIFICATION FOR HVAC PIPING AND EQUIPMENT

- 23 05 93 - TESTING, ADJUSTING AND BALANCING
- 23 31 00 – DUCTWORK
- 23 62 00 - REFRIGERATION

DESIGN STANDARD for Air Handling Units

Purpose:

Air handling units are an essential element of the mechanical space ventilation, cooling, and heating systems. This design standard has the purpose of creating a consistent application of air handling unit requirements throughout the Solano Community College District therefore achieving a standard of quality for maintenance, energy efficiency, and reliability throughout all renovation and new building projects.

Design Standard:

Work Included: Materials, installation and testing of central station air handling unit for a complete and operating system

- All air handling units shall have, at minimum, a dedicated set of two-position outside air dampers for ventilation requirements plus a second set of modulating outside air dampers, as required, for economizer operation or tracking with exhaust air.
- A full coil section width casing with access door shall be used to separate the chilled and heating coils.
- Coils shall be copper coils with aluminum fins except at Solano College where all coils shall be copper coils with copper fins due to the harsh environment.
- Insulated casings and plenums shall be specified for all units, including those serving heat and vent applications. Provide double wall casings at all locations.
- Casings for heat and vent applications shall have space for installation of future cooling coil.
- Units shall be installed to allow removal of all coils and filters. Clearance equal to full-finned width of coil shall be provided to facilitate removal.
- Units shall be mounted on internal vibration isolators and concrete housekeeping pads.
- Units shall have a mixing box and filter box or a combination filter/mixing box properly sized so as not to exceed the filter manufacturer's recommended face velocities. Low leakage dampers (2%) shall be provided for mixing box dampers.
- All cooling coil drain pans shall be stainless steel.
- Variable speed drives shall be installed on the air handlers in a separate conditioned vestibule.

Approved Manufacturers:

- Light Commercial Air Handlers
 - Carrier
 - York
 - McQuay
 - Trane
- Custom Units
 - Temtrol
 - Energy Labs
 - Governair
 - Haakon
 - Hunt Air
 - Alliance

Substitutes Allowed:

No substitutions allowed.

Associated Design Standards and Specifications

- 23 05 29 - HANGERS AND SUPPORTS FOR HVAC PIPING AND EQUIPMENT
- 23 05 48 - VIBRATION AND SEISMIC CONTROLS FOR HVAC PIPING AND EQUIPMENT
- 23 05 53 - IDENTIFICATION FOR HVAC PIPING AND EQUIPMENT
- 23 05 93 - TESTING, ADJUSTING AND BALANCING
- 23 31 00 – DUCTWORK

DESIGN STANDARD for Water to Air Heat Pumps

Purpose:

Water to air heat pumps are an essential element of the mechanical space ventilation, cooling, and heating systems. This design standard has the purpose of creating a consistent application of water to air heat pump requirements throughout the Solano Community College District therefore achieving a standard of quality for maintenance, energy efficiency, and reliability throughout all renovation and new building projects.

Design Standard:

Work Included: Materials, installation and testing of water to air heat pump units for a complete and operating system

- Water source and geothermal heat pumps shall be provided with ECM motors and two stage compressors (where available by size).
- Consider utilizing free cooling economizer coil system.
- Horizontal/vertical water source heat pump: Each unit ARI rated, ETL and CSA listed as a horizontal/vertical water source heat pump. Each unit fully tested at the factory. Each unit to include the refrigeration system, fan assembly, motor, DDC controls with interface to campus wide controls system.
- Console water source heat pump: Furnish and install water source heat pump units. Each unit ARI rated and ETL and CSA listed. The unit to consist of a subbase/backwrap for floor mounting and attachment to the back wall or floor, a cabinet front capable of attachment to the backwrap and a slide-out chassis for mounting on the subbase. The chassis to include the refrigeration system, fan assembly, motor, DDC controls with interface to campus wide controls system.
- Horizontal/vertical geothermal water source heat pump: Each unit ARI rated, ETL and CSA listed as a horizontal/vertical geothermal water source heat pump. Each unit fully tested at the factory. Each unit to include the refrigeration system, fan assembly, motor, DDC controls with interface to campus wide controls system

Approved Manufacturers:

- Water Source Heat Pumps
 - Carrier
 - Climate Master
 - Florida Heat Pump
 - Trane
 - McQuay
- Geothermal Water Source Heat Pumps
 - Climate Master
 - Florida Heat Pump
 - Waterfurnace

Substitutes Allowed:

Yes, if performance and quality equivalency can be evidenced.

Associated Design Standards and Specifications

- 23 05 29 - HANGERS AND SUPPORTS FOR HVAC PIPING AND EQUIPMENT
- 23 05 48 - VIBRATION AND SEISMIC CONTROLS FOR HVAC PIPING AND EQUIPMENT
- 23 05 53 - IDENTIFICATION FOR HVAC PIPING AND EQUIPMENT
- 23 05 93 - TESTING, ADJUSTING AND BALANCING
- 23 31 00 - DUCTWORK
- 23 62 00 - REFRIGERATION

DESIGN STANDARD for Hydronic Floor Heating and Cooling System

Purpose:

Hydronic floor heating and cooling systems are an essential element of the mechanical cooling and heating systems. This design standard has the purpose of creating a consistent application of hydronic floor heating and cooling requirements throughout the Solano Community College District therefore achieving a standard of quality for maintenance, energy efficiency, and reliability throughout all renovation and new building projects.

Design Standard:

Work Included: Materials, installation and testing of hydronic floor heating and cooling systems for a complete and operating system

- Design system to assure there will not be any condensation during cooling mode (if cooling is used).
- Tubing: Flexible single pipe energy transfer hose which is oil resistant and is not degradable by continuous exposure to sunlight. System/tubing shall have an oxygen diffusion barrier. System capable of withstanding temperatures of minus 50F and plus 200F, and provide a commercial warranty of 20 years. Tubing capable of 180 degree change of direction without cracking or collapsing. Burst pressure not less than 800 PSI at 70F installation to meet requirements of manufacturer. Tubing installation and layout as directed and required by manufacturer. Lay out system with separate zones and controls.
- Supply and return manifold piping to energy transfer tubing to be Type "K" copper with brass fittings for transition to tubing
- During the installation, cap tubing on each end to prevent foreign materials from entering the tubing. Check tubing for abrasions prior to installation. Install tubing embedded in the floor without joints or splices, the cold bending radius of the tubing in accordance with Paragraph X2.3.6 of ASTM F877. Install tubing in such a manner as to effectively address the heat loss of the space. Do not place tubing near heat sensitive materials. The manifold and fittings accessible for maintenance. After the system is filled with water/glycol mix, vent air vented from the system. After the system is allowed to stabilize at the operating temperature of the heating fluid, vent the system again. Properly pressure test PEX system in accordance with the tubing manufacturer's guidelines, prior to burial below grade or in concrete. The tubing shall maintain a pressure test of 100 psi for a period of 24 hours prior to such covering. Keep tubing under constant pressure during installation of covering or backfill

- Concrete Slab Construction: Fasten tubing to a flat mesh or reinforcing bar (or other manufacturer-approved device) in accordance with the tubing manufacturers design recommendations.
- Apply test pressure of 125 PSI and maintain for one hour with no visible leaks and no appreciable drop after the test pump has been disconnected

Approved Manufacturers:

- Heatway
- Uponor HE PEX

Substitutes Allowed:

No substitutions allowed.

Associated Design Standards and Specifications

- 23 05 29 - HANGERS AND SUPPORTS FOR HVAC PIPING AND EQUIPMENT
- 23 05 48 - VIBRATION AND SEISMIC CONTROLS FOR HVAC PIPING AND EQUIPMENT
- 23 05 53 - IDENTIFICATION FOR HVAC PIPING AND EQUIPMENT
- 23 05 93 - TESTING, ADJUSTING AND BALANCING

Electrical Standards

DESIGN STANDARD for Basic Electrical Systems Design

Purpose:

This design standard has the purpose of maintaining a consistent application of the basic electrical requirements of the electrical systems throughout the Solano Community College District therefore achieving a standard of quality for maintenance, reliability, and operation throughout all renovation and new building projects.

Design Standard:

Electrical systems required for this work includes labor, materials, equipment, and services necessary to complete installation of electrical work specified herein or required for a complete operable facility and not specifically described in other Sections of these Standards.

- Following is a list of abbreviations generally used in Division 26:

ADA	Americans With Disabilities Act
AHJ	Authority Having Jurisdiction
ANSI	American National Standards Institute
APWA	American Public Works Association
ASTM	American Society for Testing and Materials
CBC	California Building Code
CEC	California Electrical Code
CFC	California Fire Code
FCC	Federal Communications Commission
HVAC	Heating, Ventilating and Air Conditioning
IEC	International Electrotechnical Commission

IEEE	Institute of Electrical and Electronics Engineers.
IETA	International Electrical Testing Association
FM	FM Global
NEMA	National Electrical Manufacturers Association
NFPA	National Fire Protection Association
OSHA	Occupational Safety and Health Administration
UL	Underwriters Laboratories Inc.

- Conform to requirements of the CEC, latest adopted version with amendments by local AHJs.
- Conform to latest adopted version of the CBC with amendments by local AHJs.
- Obtain and pay for electrical permits, plan review, and inspections from local AHJs.
- Furnish products listed by UL or other testing firm acceptable to AHJ.
- Conform to requirements of the serving electric, telephone, and cable television utilities.
- Provide like items from one manufacturer, such as luminaire types, switches, receptacles, breakers, panels, and the like.

All materials to meet the following requirements based on Code requirements and industry standard of design and care:

- Provide new electrical materials of the type and quality, listed by UL, bearing their label wherever standards have been established. Indicated brand names and catalog numbers are used to establish standards of performance and quality. The description of materials listed herein governs in the event that catalog numbers do not correspond to materials described herein.
- Provide material and equipment that is acceptable to AHJ as suitable for the use. For example, provide wet labeled equipment in locations that are wet.
- Provide incidentals not specifically mentioned herein, but needed to complete the system, in a safe and satisfactory working condition.

All documents to meet the following requirements based on District requirements and industry standard of design and care:

- Prepare and submit layout drawings to coordinate installation and location of lighting, electrical and signal systems. Prepare composite drawings showing all equipment on a single sheet. The

architectural floor plans, reflected ceiling plans, and access floor layout plan shall form the base for the coordination drawings. Prior to completion of Drawings, coordinate proposed installation with the Architect, structural requirements, and other trades (including HVAC, plumbing, fire protection, ceiling systems, and raised floor system), and provide required maintenance access. Systems shall include, although not limited to, the following:

- Luminaires.
 - Occupancy sensors.
 - Wiring devices.
 - Electrical equipment enclosures.
 - Control equipment enclosures.
 - Route of feeders 100A and larger.
 - Route of cable tray systems.
 - Surface metal raceways.
 - Conduit rack supports.
 - Transformers and supports.
 - Standby engine generator.
 - Fire alarm devices, annunciators and control panel.
 - Outlet boxes and raceway system for security system alarm devices and control panel.
 - Outlet boxes and raceway system for telephone, data and CATV raceways 2 inches and larger.
- Prepare Drawings as follows:
 - Prepare Drawings, to accurate scale, in latest AutoCAD graphics format printed to media as directed by District.
 - Distribute plans to all trades and provide additional coordination as needed.
 - Advise Architect, in event a conflict occurs in location of equipment. Bear all costs for relocation of equipment, resulting from failure to properly coordinate installation or failure to advise Architect of conflict.

- Provide means of access to all junction and pull boxes and concealed equipment which may require access, adjustment or servicing.
- Final coordination drawings, with as-constructed information added, are to be submitted as record drawings at completion of project. Plans are to incorporate all addenda items and change orders.

All installation methods to meet the following requirements based on district requirements and industry standard of design and care:

- Install electrical equipment complete as directed by manufacturer's installation instructions. Obtain installation instructions from manufacturer prior to rough-in of the electrical equipment, examine the instructions thoroughly. When requirements of the installation instructions conflict with the Contract Documents, request clarification from Architect prior to proceeding with the installation.
- Do not install electrical equipment in obvious passages, doorways, scuttles or crawl spaces which would impede or block the area passage's intended usage.
- Earthwork:
 - Refer to Division 31, Section "Earthwork."
 - Perform excavation and backfill required for the installation of electrical work.
- Noise Control:
 - Do not install outlet boxes back to back. Do not use straight through boxes.
 - Do not place contactors, transformers, starters and similar noise producing devices on walls which are common to occupied spaces unless specifically directed by the District. Where such devices must be mounted on walls common to occupied spaces, mount or isolate in such a manner as to effectively prevent the transmission of their inherent noise to the occupied space.
- Firestopping:
 - Coordinate with the Drawings the location of fire rated walls, ceilings, floors and the like. When these assemblies are penetrated by electrical equipment, seal around the equipment with approved firestopping material.
 - Install firestopping material complete as directed per the manufacturer's installation instructions.

All field quality control methods to meet the following requirements based on Code requirements and industry standard of design and care:

- Tests:
 - Conduct tests of equipment and systems to demonstrate compliance with requirements specified in Division 26. Refer to individual Specification Sections for required tests. Document tests and include in Closeout Documents.
 - During site evaluations by the Inspector of Record (IOR), provide an electrician with tools to remove and replace trims, covers, devices, and the like, so that a proper evaluation of the installation can be performed.
- Testing shall include:
 - Daylight automatic controls.
 - Occupant sensing automatic controls.
 - Automatic time and override controls for interior lighting.
 - Automatic time and photo controls for exterior lighting.
 - Lighting system control testing and commissioning:
 - Test lighting controls to ensure that control devices, components, equipment and systems are calibrated, adjusted and operate in accordance with Drawings and Specifications. Provide functional testing of sequences of operation to ensure operation in accordance with Drawings and Specifications. Provide complete report of test procedures and results to engineer and insert approved copy into project closeout documents.

All cleaning methods to meet the following requirements based on district requirements and industry standard of design and care:

- Remove dirt and debris caused by the execution of the electrical work.
- Leave the entire electrical system installed under this Contract in clean, dust-free and proper working order.
- Vacuum clean interiors of all new and modified electrical signal and communication equipment enclosures.

For renovations requiring demolition, all demolition methods to meet the following requirements based on district requirements and industry standard of design and care:

- Coordinate with District so that work can be scheduled not to interrupt operations, normal activities, building access, access to different areas. The District will cooperate to the best of their ability to assist in a coordinated schedule, but will remain the final authority as to time of work permitted.
- Examination: Determine the exact location of existing utilities and equipment before commencing work, compensate the District for damages caused by the failure to locate and preserve utilities. Replace damaged items with new material to match existing.
- Promptly notify District if utilities are found which are not shown on record Drawings.
- Execution:
 - Remove existing luminaires, switches, receptacles, and other electrical equipment and devices and associated wiring from walls, ceilings, floors, and other surfaces scheduled for remodeling, relocation, or demolition.
 - Maintain electrical continuity of existing systems. Remove or relocate electrical boxes, conduit, wiring, equipment, luminaires, and the like, as encountered in removed or remodeled areas in the existing construction affected by this work.
 - Remove and restore wiring which serves usable existing outlets clear of the construction or demolition
 - If existing junction boxes will be made inaccessible, or if abandoned outlets serve as feed through boxes for other existing electrical equipment which is being retained, provide new conduit and wire to bypass the abandoned outlets.
 - If existing conduits pass through partitions or ceiling which are being removed or remodeled, provide new conduit and wire to reroute clear of the construction or demolition and maintain service to the existing load.
 - Extend circuiting and devices in existing walls to be furred out.
 - Remove abandoned wiring to leave site clean.
 - If existing lighting which is to remain or be relocated is to be relamped, reballasted and cleaned, notify architect and/or District. Leave all luminaires in proper working order.
 - If existing electrical equipment contains PCBs (polychlorinated biphenyl), replace with new. Dispose of material containing PCBs as required by federal and local regulations.
 - Repair adjacent construction and finishes damaged during demolition work.

- Maintain access to existing electrical installations which remain active. Modify installation or provide access panel as appropriate.

For renovations requiring demolition, all methods for salvaged equipment and recycled material shall meet the following requirements based on District requirements and industry standard of design and care:

- Salvage the following equipment not being reused and return to District (as applicable):
 - Luminaires
 - Panelboards
 - Breakers
 - Transformers
- Salvage the following equipment not being reused and sell/give to electrical salvage company (as applicable):
 - Luminaires
 - Panelboards
 - Breakers
 - Transformers
- Electrical equipment that cannot be salvaged for reuse, sell/give to recycling company. Recycle the following excess, removed, or demolished electrical material (as applicable):
 - Copper or aluminum conductors, buses, motor/transformer windings, and the like.
 - Steel and aluminum from raceways, boxes, enclosures, housings and the like.
 - Acrylic and glass from luminaire lenses/refractors.
- Provide separate on-site storage space for recycled and salvaged material. Clearly label space for intended use.

For renovations requiring demolition, all systems requiring continuity of service shall meet the following requirements based on District requirements and industry standard of design and care:

- No interruption of services to any part of existing facilities will be permitted without express permission in each instance from the District. Requests for outages shall state the specific dates and hours and the maximum durations, with the outages kept to these specific dates and hours

and the maximum durations. Obtain written permission from the District for any interruption of power, lighting or signal circuits and systems.

- If overtime is necessary, there will be no allowance made by District for extra expense for such overtime or shift work, due to maintaining continuity of service herein required.
- Organize work to minimize duration of power interruption.

Operation and Maintenance Documentation: Provide copies of certificates of code authority acceptance, test data, product data, guarantees, warranties, and the like.

Closeout Documentation: Submit electrical code authority certification of inspection. Include documentation of on-site electrical testing that was performed.

Sustainable Design Practices

- The Solano Community College District has a desire to build buildings utilizing sustainable design techniques. As part of the Electrical Design Standards, sample sustainable design opportunities are provided in a table in the Sustainability Section of the Solano Community College District standards. Each strategy needs to be integrated appropriately into their respective projects. Development of design strategies for each item is beyond the scope of this Design Standard and requires careful consideration for proper application. The District will select on a case by case basis, which projects will be LEED™ Certified and to what level.

Approved Manufacturers:

Refer to individual standards.

Substitutes Allowed:

Yes, if performance and quality equivalency can be evidenced.

Associated Design Standards and Specifications:

- Division 22 Plumbing
- Division 23 Heating Ventilation and Air Conditioning
- Division 27 Communications

DESIGN STANDARD for Medium Voltage Cables

Purpose:

This design standard has the purpose of creating a consistent application of medium voltage cables throughout the Solano Community College District therefore achieving a standard of maintenance, reliability and quality throughout all renovation and new building projects.

Design Standard:

Provide installation of medium voltage cable, terminations, and splicing, as required by code and detailed in the Contract Documents.

Medium voltage cables include the following but not limited to:

- Cables.
- Terminations.

All medium voltage cables to meet the following requirements based on Code requirements and industry standard of care:

- Regulatory Requirements:
 - UL 1072.
 - NEMA-WC7.
 - ICEA Standards S-68-516 and CS6-79.

All cables to meet the following requirements based on code requirements and industry standard of care:

- Type MV-90, 133 percent insulation, single uncoated annealed copper conductor with Class B stranding, with strippable extruded conductor shielding around the conductors.
- Conductor screen consists of an extruded layer of semiconducting compound with a volume resistivity not exceeding 50,000 ohms-cm at 90C and a minimum average thickness of 22 mils.
- Provide flexible thermosetting dielectric based insulation on an ethylene-propylene elastomer (APPEAR).

- Provide insulation screen with an extruded semi-conduction compound with a volume resistivity not exceeding 50,000 ohms-cm at 90C.
- Provide extruded insulation screen shielded with a nonmagnetic 5 mil thick copper tape.
- The overall jacket is polyvinyl chloride, 80 mils thick.
- Cable has continuous factory printed identification on the outer jacket for the full length of the cable indicating manufacture's name, trade name of cable, voltage, wire size, and type of insulation. Deliver cables to the site on factory reels properly identified with the certified test report and marked or tagged to indicate the month and year of manufacturer of the cable. Provide cable from the same manufacturer.

All terminations and splices to meet the following requirements based on code requirements and industry standard of care:

- Provide terminations in weatherproof enclosures with preformed stress cones rated for the system voltage, phase-to-phase with a corona extinction level for the system voltage. Use a stress cone designed specifically to terminate the cable on which it is used, and which provides a watertight seal to the cable insulation. Incorporate a grounding eye, eliminating the need for a metal ground clamp to the cable shield.
- Provide terminations exposed to the weather with a preformed stress cone, as described in preceding paragraph, with the appropriate number of rain shields required for the system voltage.
- Protect terminations of insulated cables from accidental contact, deterioration of covering, and moisture by the use of terminating devices and material. Install terminations in accordance with the kit and cable manufacturer's instructions.
- Provide splicing and terminating materials compatible with the cable supplied. Submit proof of acceptability by cable manufacturer of splicing and terminating materials.
- When installing medium voltage cables:
 - Protect conductors from mechanical and physical abuse, and from exposure to the atmospheric elements. Do not bend cable to less than 12 times the outer diameter of the cable.
 - Provide terminations and splices performed by skilled high voltage personnel. Submit record of experience for personnel performing splices and terminations. Provide the services of a field engineer of the cable manufacturer to supervise and certify terminations and splices.
 - Install cables in conduit.

- For quality control of medium voltage cables:
 - Provide field insulation tests on conductors as recommended by ANSI/IEEE 141. Test under DC voltage conditions recommended by cable manufacturer warranty constraints.
 - Provide tests performed by a testing agency with 5 years documentable experience testing medium and high voltage cables.
 - Complete tests with terminal equipment disconnected.
 - Provide written final report and test results to the District.

Approved Manufacturers:

- Cable:
 - General Electric
 - General Cable
 - Rome
 - Okonite
- Terminations and Splices:
 - 3M
 - Elastimold
 - Cable Manufacturer

Substitutes Allowed:

Yes, if performance and quality equivalency can be evidenced.

Associated Design Standards and Specifications:

- 26 00 00 - Basic Electrical Requirements

DESIGN STANDARD for Wires, Cables and Connectors

Purpose:

Provide wires, cables, connectors, lugs, and the like for a complete and operational electrical system. This design standard has the purpose of creating a consistent application for the installation of wires, cables, and connectors throughout the Solano Community College District therefore achieving a standard of quality for maintenance, reliability, and operation throughout all renovation and new building projects.

Design Standard:

- Wiring shall be copper, 600 volt rated throughout.
 - Conductors #10 and smaller shall be solid,
 - #8 and larger shall be stranded, 90°C rated.
 - Conductors 3 AWG and larger, minimum insulation rating of 75C.
 - Insulation types THWN, THHN or XHHW. Minimum insulation rating of 90C for branch circuits.
- MC Cable:
 - High strength galvanized steel flexible armor.
 - Full length minimum size No. 12 copper ground wire, THHN 90C conductors, full length tape marker. Overall PVC or nylon cable tape.
 - Short circuit throat insulators, mechanical compression termination.
 - MC Cable is allowed for the following conditions. Installations not meeting these conditions will be removed and replaced at installer's own expense.
 - 20 and 30 amp branch circuiting where following conditions apply:
 - Where there is a suspended ceiling with accessible space above (example: suspended acoustic ceiling tile).
 - Do not use for homeruns from branch circuit to first device or luminaire in circuit.

- For drops to ceiling-mounted luminaires in areas with accessible ceiling space.
- The electrical design engineer must provide for the possible effects of harmonics on the neutral wire and the transformer.
- Phase color to be consistent at feeder terminations; A-B-C, top to bottom, left to right, front to back.
- Color Code Conductors as Follows:

PHASE	208 VOLT WYE	240 VOLT DELTA	480 VOLT
A	Black	Black	Brown
B	Red	Orange (High Leg)	Orange
C	Blue	Blue	Yellow
Neutral	White	White	Or White w/ colored strip
Ground	Green	Green	Green
Isolated Ground	Green w/yellow trace	N/A	N/A

- Connectors types shall have the following characteristics:
 - Copper Pads: Drilled and tapped for multiple conductor terminals.
 - Lugs: Indent/compression type for use with stranded branch circuit or control conductors. Manufacturers: Anderson, Ilasco, Panduit, Thomas & Betts, 3M, or approved.
 - Conductor Branch Circuits: Wire nuts with integral spring connectors for conductors 18 through 8AWG. Push-in type connectors where conductors are not required to be twisted together are not acceptable. Manufacturers: 3M, Ideal, or approved.

- Conductor Installation:
 - Install conductors in raceways having adequate, code size cross-sectional area for wires indicated.
 - Install conductors with care to avoid damage to insulation.
 - Do not apply greater tension on conductors than recommended by manufacturer during installation.
 - Use of pulling compounds is permitted. Clean residue from exposed conductors and raceway entrances after conductor installation. Do not use pulling compounds for installation of conductors connected to GFCI circuit breakers or GFCI receptacles.
- Conductor Size and Quantity:
 - Install no conductors smaller than 12AWG.
 - Provide required conductors for a fully operable system.
- Provide dedicated neutrals (one neutral conductor for each phase conductor).
- Provide dedicated circuits for refrigerators, microwaves, copiers, large printers, portable heaters, and the like.
- Provide a dedicated computer circuit for every three offices.
- Provide a dedicated convenience circuit for every four offices.
- Conductors in Cabinets:
 - Cable and tree wires in panels and cabinets for power and control. Use plastic ties in panels and cabinets.
 - Tie and bundle feeder conductors in wireways of panelboards.
 - Hold conductors away from sharp metal edges.
- Test conductor insulation on feeders of 100 amps and greater for conformity with 1000 volt megohmmeter. Use Insulated Cable Engineers Association testing procedures. Minimum insulation resistance acceptable is 1 megohm for systems 600 volts and below. Notify District if insulation resistance is less than 1 megohm.

Approved Manufacturers:

- General Cable
- Southwire
- Carol

Substitutes Allowed:

Yes, if performance and quality equivalency can be evidenced.

Associated Design Standards and Specifications:

- 26 05 26 - GROUNDING
- 26 05 33 – RACEWAYS
- 26 05 48 – SUPPORTING DEVICES
- 26 05 53 – IDENTIFICATION

DESIGN STANDARD for Grounding

Purpose:

Provide grounding and bonding of electrical service, circuits, equipment, signal and communications systems. This design standard has the purpose of creating a consistent application of the electrical system requirements throughout the Solano Community College District therefore achieving a standard of quality for maintenance, reliability, and operation throughout all renovation and new building projects.

Design Standard:

Install equipment grounding such that metallic structures, enclosures, raceways, junction boxes, outlet boxes, cabinets, machine frames, portable equipment and other conductive items in close proximity with electrical circuits operate continuously at ground potential and provide a low impedance path for possible ground fault currents. Grounding Electrode Conductor shall be a bare copper stranded conductor.

Supplement the grounded neutral of the secondary distribution system with an equipment grounding system to properly safeguard the equipment and personnel.

The grounding system shall meet the following installation requirements based on Code requirements and standard industry practices:

- Concrete Encased Ground Electrode (“Ufer ground”):
 - From the service equipment ground bus install grounding electrode conductor to footing/foundation rebar.
 - Bond the grounding electrode conductor to independent steel rebars.
 - Protect grounding electrode conductor extension from footing/foundation to service equipment with rigid PVC conduit. Do not use metal conduit for grounding electrode conductor protection.
- Ground Rod Electrode:
 - Coordinate placement of ground rods and interconnecting conductor in base of building concrete footing prior to placement of concrete.

- Install stranded bare copper conductor in base of perimeter concrete footing, minimum gauge: #3/0.
- Layout conductor to provide maximum exposure to earth in the perimeter footing. Do not fold conductor.
- Bond to driven ground rods.
- Tap at center ground rod and extend ground electrode conductor to service ground bus. Install grounding electrode conductor extension in rigid PVC conduit for physical protection. Do not use metal conduit for grounding electrode conductor protection.
- Water Service Grounding: Bond building ground electrode and water service pipe to service ground bus. Connect to water pipe on utility side of isolating fittings or meters, bond across water meters.
- Other Piping Systems: Bond gas piping system, fire sprinkler piping system and other metal piping systems to service equipment ground bus.
- Raceways:
 - Ground metallic raceway systems. Bond to ground terminal with code size jumper except where code size or larger grounding conductor is included with circuit, use grounding bushing with lay-in lug.
 - Connect metal raceways, which terminate within an enclosure but without mechanical connection to the enclosure, by grounding bushings and ground wire to the grounding bus.
 - Where equipment supply conductors are in flexible metallic conduit, install stranded copper equipment grounding conductor from outlet box to equipment frame.
 - Install equipment grounding conductor, code size minimum in raceway systems.
- Feeders and Branch Conduits:
 - Install continuous insulated equipment copper ground conductors within the following circuits; feeders, circuits for computer systems and other circuits as required.
 - Where installed in a continuous solid metallic raceway system and larger sizes are not detailed, provide insulated equipment ground conductors for feeders and branch circuits sized in accordance with Table 250-122.

- Install isolated ground conductors for electrically sensitive equipment. Install isolated grounding conductors isolated from the equipment ground system except at the common ground connection at the service equipment. Provide isolated ground bus in panelboards isolated from the equipment ground system.
- Boxes, Cabinets, Enclosures and Panelboards:
 - Bond grounding conductors to enclosure with specified conductors and lugs. Install lugs only on thoroughly cleaned contact surfaces.
 - Bond sections of service equipment enclosure to service ground bus.
- Motors, Equipment and Appliances: Install code size equipment grounding conductor from outlet box to (motor) equipment frame or manufacturer's designated ground terminal.
- Receptacles: Connect ground terminal of receptacle to equipment ground system by No. 12 conductor bolted to outlet box except isolated grounds where noted. Self grounding nature of receptacle devices does not eliminate conductor bolted to outlet box.
- Telecommunications Grounding System: Mount telecommunications main grounding busbar (TMGB) in each MDF. Mount a telecommunications grounding busbar (TGB) in each IDF. Install main telecommunications bonding backbone (TBB) conductor continuous from the MDF to every IDF. Bond the TMGB to the main building electrical grounding system and the nearest acceptable structural ground with a 3/0 AWG copper equipment grounding conductor.
- Separately Derived Systems: Ground each separately derived system.

Approved Manufacturers:

- Ground Rods
 - Weaver
 - Thomas & Betts
 - Talley
- Grounding Connectors
 - Burndy Hyground Compression Systems
 - Erico/Cadweld
 - Amp Ampact Grounding System



- Pipe Grounding Clamps
 - Burndy GAR Series
 - O-Z Gedney
 - Thomas & Betts
- Telecommunication Grounding Bus Bar
 - Chatsworth
 - Erico
 - Square D
 - Panduit

Substitutes Allowed:

Upon review and approval.

Associated Design Standards and Specifications:

- 26 24 00 - Switchboards and Distribution Panelboards
- 26 05 34 - Boxes

DESIGN STANDARD for Raceways

Purpose:

Provide raceways, wires, cables, connector, boxes, devices, finish plates and the like for a complete and operational electrical system. This design standard has the purpose of creating a consistent application for the installation of raceways throughout the Solano Community College District therefore achieving a standard of quality for maintenance, reliability, and operation throughout all renovation and new building projects.

Design Standard:

- Sequencing and Scheduling: Raceway System is Defined as Consisting of: Conduit, tubing or duct and fittings including but not limited to connectors, couplings, offsets, elbows, bushings, expansion and deflection fittings and other components and accessories. Complete electrical raceway installation before starting the installation of conductors and cables.
- Conduits:
 - Galvanized Rigid Steel Conduit (GRC):
 - Hot-dip galvanized after thread cutting.
 - Manufacture in conformance with Federal Specification WWC-581 and ANSI C80.1.
 - Uniform finish coat with chromate for added protection.
 - Rigid Aluminum Conduit: Alloy 6063, threaded at each connection.
 - Intermediate Metal Conduit (IMC):
 - Hot-dip galvanized after thread cutting.
 - Manufacture in conformance with Federal Specification WWC-581.
 - Uniform finish coat with chromate for added protection.
 - Electrical Metallic Tubing (EMT):
 - Hot-dip galvanized and chromate coated.

- Manufacture in conformance with Federal Specification WWC-563 and ANSI C80.3.
 - Flexible Conduit:
 - Reduced wall flexible steel conduit.
 - Hot-dip galvanize steel strip prior to forming and joining.
 - Manufacture in conformance with Federal Specification WWC-566.
 - Flexible Conduit, PVC Coated:
 - Hot-dip galvanize steel strip prior to forming and joining.
 - PVC chemical resistant jacket extruded to core, up to 1 inch trade size.
 - PVC chemical resistant jacket, tubed over core, up to 4 inch trade size.
 - PVC:
 - Class 40 heavy wall rigid PVC.
 - Rated for use with 90C conductors.
 - Manufacture in conformance with Federal Specification WC1094A and NEMA TC-2.
- Conduit Fittings:
 - Bushings:
 - Insulated Type for Threaded Rigid, IMC Conduit or Raceway Connectors without Factory Installed Plastic Throat Conductor Protection: Thomas & Betts 1222 Series or O-Z Gedney B Series.
 - Insulated Grounding Type for Threaded Rigid, IMC Conduit and Conduit Connectors: O-Z Gedney BLG Series.
 - Raceway Connectors and EMT Couplings:
 - Steel conductor and coupling bodies, with zinc electroplate or hot-dip galvanizing.
 - Connector locknuts are steel, with threading meeting ASTM tolerances. Locknuts are zinc electroplated or hot-dip galvanized.

- Connector throats (EMT, flexible conduit, metal clad cable and cordset connectors) have factory installed plastic inserts permanently installed. For normal cable or conductor exiting angles from the raceway, the cable jacket or conductor insulation bears only on the plastic throat insert.
 - Steel gland, Tomic or Breagle connectors and couplings are recognized for this Contract as having acceptable raceway to fitting electrical conductance.
 - Set screw connectors and couplings, without integral compression glands, are recognized for this Contract as not having acceptable raceway to fitting electrical conductance. A ground conductor sized per this Specification must be included and bonded within a raceway assembly utilizing this type connector or coupling.
 - Expansion/Deflection Fittings:
 - EMT, O-Z Gedney Type TX.
 - RMC, O-Z Gedney Type AX, DX and AXDX, Crouse & Hinds XD.
- Conduit Joints: Assemble conduits continuous and secure to boxes, panels, luminaires and equipment with fittings to maintain continuity. Provide watertight joints where embedded in concrete, below grade or in damp locations. Seal PVC conduit joints with solvent cement and metal conduit with metal thread primer. Rigid conduit connections to be threaded, clean and tight (metal to metal). Threadless connections are not permitted for GRC and IMC.
- Conduit Placement:
 - Install continuous conduit and raceways for electrical power wiring and signal systems wiring.
 - Conceal conduits. Exposed conduits are permitted only in the following areas:
 - Mechanical rooms, electrical rooms or spaces where walls, ceilings and floors will not be covered with finished materials.
 - Existing walls that are concrete or block construction.
 - Where exposed conduits are permitted install parallel or at right angles to building lines, tight to finished surfaces and neatly offset into boxes.
 - Do not install conduits or other electrical equipment in obvious passages, doorways, scuttles or crawl spaces which would impede or block the area passage's intended usage.

- Do not install conduits on surface of building exterior, across roof, on top of parapet walls, or across floors.
- Route raceway at least 6 inches from hot surfaces above 120F, including noninsulated steam lines, heat ducts, and the like.
- Below Grade Conduit and Cables:
 - Place a minimum 3 inch cover of sand or clean earth fill around the cable or conduit on a leveled trench bottom. Lay conduit on a smooth level trench bottom, so that contact is made for its entire length.
 - Remove water from trench before electrical conduit is installed.
 - When three or more conduits are in a single trench, use conduit spacers that will maintain 3 inch spacing between the conduits. Provide spacers on 5 foot centers.
- Maximum Bends: Install code sized pull boxes to restrict maximum bends in a run of conduit to 270 degrees.
- Conduit Terminations: Provide conduits shown on Drawings which terminate without box, panel, cabinet or conduit fitting with not less than five full threads. Bushings and metal washer type sealer between bushing and conduit end.
- Flexible Conduit: Install 12 inch minimum slack loop on flexible metallic conduit and PVC coated flexible metallic conduit.
- Conduit Size: Provide conduit in minimum code permitted size for THW conductors of quantity shown. Minimum trade size 1/2 inch.
- Conduit Use Locations:
 - Underground: PVC.
 - Wet Locations, Classified Locations, and Subject to Mechanical Damage: GRC, IMC.
 - Damp Locations and Locations Exposed to Rain: GRC, IMC, and EMT up to 2 inches in diameter.
 - Cast-In-Place Concrete and Masonry: GRC, IMC, and PVC. Horizontal runs of conduit in poured-in-place concrete slabs.
 - Dry, Protected: GRC, IMC, EMT.
 - Sharp Bends and Elbows: GRC, EMT use factory elbows.

- Install pull wire or nylon cord in empty raceways provided for other systems. Secure wire or cord at each end.
- Elbow for Low Energy Signal Systems: Use long radius factory ells where linking sections of raceway for installation of signal cable.
- Motors, recessed luminaires and equipment connections subject to movement or vibration, use flexible metallic conduit.
- Motors and equipment connections subject to movement or vibration and subjected to any of the following conditions; exterior location, moist or humid atmosphere, water spray, oil or grease use PVC coated liquid tight flexible metallic conduit.
- Branch Circuits: Do not change the intent of the branch circuit or controls without approval. Homeruns for 20 amp branch circuits may be combined to a maximum of six conductors in a homerun. Apply derating factors. Increase conductor size as needed.
- Feeders: Do not combine or change feeder runs.
- Unless otherwise indicated, provide raceway systems for lighting, power and Class 1 remote-control and signaling circuits and Class 2 and 3 remote-control signaling and communication circuits.
- Conduit Fittings:
 - Use set screw type fittings only in dry locations. When set screw fittings are utilized provide insulated continuous equipment ground conductor in conduit, from over current protection device to outlet.
 - Use compression fittings in dry locations, damp and rain-exposed locations. Maximum size permitted in damp locations and locations exposed to rain is 2 inches in diameter.
 - Use threaded type fittings in wet locations, hazardous locations, and damp or rain-exposed locations where conduit size is greater than 2 inches.
 - Use PVC coated rigid steel conduit ells for underground power and telephone service entrance conduits. Use 36-inch radius ells for power service conduits and 48-inch radius ells for telephone service conduits.
 - Use insulated type bushings with ground provision at switchboards, panelboards, safety disconnect switches, junction boxes and the like that have feeders 60 amperes and greater.
 - Provide bushing or EMT connector for conduits that do not terminate in box, enclosure, or the like.

- Provide conduit expansion fittings at building expansion joints and at locations where conduit is exposed to thermal expansion and contraction.
- Condulets and Conduit Bodies: Do not use condulets and conduit bodies in conduits for signal wiring and in feeders 100 amp and larger.
- Sleeves and Chases - Floor, Ceiling and Wall Penetrations: Provide necessary rigid conduit sleeves, openings and chases where conduits or cables are required to pass through floors, ceiling or walls.
- Conduit crossing building seismic joints:
 - Provide box on either side of joint and flexible conduit between the box.
 - Coordinate with structural engineer and/or architect to determine movement at the seismic joint.
 - Rigid conduit crossings at seismic joints are not acceptable.

Approved Manufacturers:

- Allied Steel
- Certainteed
- Jones & Laughlin
- Carlon
- Kraloy

Substitutes Allowed:

Yes, if performance and quality equivalency can be evidenced.

Associated Design Standards and Specifications:

- 26 05 26 – GROUNDING
- 26 05 34 – BOXES

DESIGN STANDARD for Boxes

Purpose:

This design standard has the purpose of creating a consistent application for the installation of electrical boxes throughout the Solano Community College District therefore achieving a standard of quality for maintenance, reliability, and operation throughout all renovation and new building projects.

Design Standard:

Provide electrical boxes and fittings for a complete installation. Include but not limited to outlet boxes, junction boxes, pull boxes, bushings, locknuts, and other necessary components.

- Locate boxes and conduit bodies so as to ensure accessibility of electrical wiring.
- Avoid using round boxes where conduit must enter through side of box, which would result in a difficult and insecure connection with a locknut or bushing on the rounded surface.
- Secure boxes rigidly to the substrate upon which they are being mounted, or solidly embed boxes in concrete or masonry.
- Provide weatherproof outlets for locations exposed to weather or moisture.
- Provide knockout closures to cap unused knockout holes where blanks have been removed.
- Mount center of outlet boxes, unless otherwise required by ADA, the following distances above the floor:
 - Control Switches: 46 inches.
 - Receptacles: 18 inches.
 - Telecom Outlets: 18 inches.
 - Other Outlets: As indicated in other sections of specifications or as detailed on drawings.
- Coordinate electrical device locations (switches, receptacles, and the like) with architectural elevations to prevent mounting devices in mirrors, back splashes, behind cabinets, and the like.

All outlet boxes to meet the following requirements based on Code requirements and industry standard of care:

- Luminaire Outlet: 4-inch octagonal box, 1-1/2 inches deep with 3/8-inch luminaire stud if required. Provide raised covers on bracket outlets and on ceiling outlets.
- Device Outlet: Installation of one or two devices at common location, minimum 4 inches square, minimum 1-1/2 inches deep. Single- or two-gang flush device raised covers. Hubbell.
- Signal and communications systems outlet: 4-inches square, minimum 2-1/8 inches deep. One- or two- gang raised device cover. Hubbell.
- Multiple Devices: Three or more devices at common location. Install one-piece gang boxes with one-piece device cover. Install one device per gang.
- Masonry Boxes: Outlets in concrete, Hubbell.
- Construction: Provide galvanized steel interior outlet wiring boxes, of the type, shape and size, including depth of box, to suit each respective location and installation; constructed with stamped knockouts in back and sides, and with threaded holes with screws for securing box covers or wiring devices.
- Accessories: Provide outlet box accessories for each installation, including mounting brackets, wallboard hangers, extension rings, luminaire studs, cable clamps and metal straps for supporting outlet boxes, compatible with outlet boxes being used and meeting requirements of individual wiring situations.
- For weatherproof outlet boxes, provide corrosion-resistant cast metal weatherproof outlet wiring boxes, of the type, shape and size, including depth of box, with threaded conduit ends, cast metal face plate with spring-hinged waterproof cap suitably configured for each application, including face plate gasket, blank plugs and corrosionproof fasteners. Weatherproof boxes to be constructed to have smooth sides, gray finish.
- For junction and pull boxes, provide ANSI 49 gray enamel painted sheet steel junction and pull boxes, with screw-on covers; of the type shape and size, to suit each respective location and installation; with welded seams and equipped with steel nuts, bolts, screws and washers.
 - Install junction boxes above accessible ceilings for drops into walls for receptacle outlets from overhead.
 - Install junction boxes and pull boxes to facilitate the installation of conductors and limiting the accumulated angular sum of bends between boxes, cabinets and appliances to 270 degrees.

- Provide diecast aluminum box extension adapters as necessary and install over flush wall outlet boxes to permit flexible raceway extension from flush outlet to fixed or movable equipment. Bell 940 Series, Red Dot IHE4 Series.
- For conduit fittings, provide corrosion-resistant punched-steel box knockout closures, conduit locknuts and plastic conduit bushings of the type and size to suit each respective use and installation.

In general, avoid use of floor boxes. If floor boxes and poke-thrus must be used, meet the following requirements based on Code requirements and industry standard of care (device numbers noted are Wiremold. Provide equivalent as noted under approved manufacturers):

- Multi-Gang Box, Slab on Grade: Wiremold RFB4-CI series cast iron housing with S36CCTC series, steel flanged activation for use with matching carpet or tile insert. Rubber gasket protects interior from water and debris. Provide with two duplex receptacles and blank inserts for two future data outlets.
- Multi-Gang Box, Slab above Grade: Wiremold RFB4 series steel housing with S36CCTC series, steel flanged activation for use with matching carpet or tile insert. Rubber gasket protects interior from water and debris. Provide with two duplex receptacles and blank inserts for two future data outlets.
- Multi-Gang Box, Concrete Finish Floor: Same as above, except use Wiremold S36BBTC series, steel flanged activation.
- Single Gang Box, Slab on Grade: Wiremold 880CM (cast-iron) series with 817 series flange suitable for both carpet and tile floors, and 828GFI cover plate insert.
- Single Gang Box, Slab above Grade: Wiremold 880S (stamped steel) series with 817 series flange suitable for both carpet and tile floors, and 828GFI cover plate insert.
- Poke-Thrus: Fire rated for 4 hour, dual service, flush brass cover and service fitting prewired specification grade receptacle, voice/data jacks, Hubbell PT7 Series, or approved.
- Provide floor boxes sized minimum 3-7 /16 inches deep with 1-inch factory knockouts.
- Brass or Aluminum finish for flanges will be determined per specific installation and as directed by the architect.

Approved Manufacturers:

- Outlet Boxes:
 - Bowers

- Hubbell
- Weatherproof Outlet Boxes and Box Extension Adapters:
 - Bell
 - Red Dot
 - Carlon
- Junction and Pull Boxes:
 - Circle AW
 - Hoffman
- Conduit Fittings:
 - O-Z Gedney
 - Thomas & Betts, or approved.
- Floor Boxes:
 - Wiremold/Walker
 - Hubbell
 - Steel City

Substitutes Allowed:

Yes, if performance and quality equivalency can be evidenced.

Associated Design Standards and Specifications:

- 26 05 26 – GROUNDING
- 26 05 34 – BOXES

DESIGN STANDARD for Supporting Devices

Purpose:

This design standard has the purpose of creating a consistent application for the installation of supporting devices throughout the Solano Community College District therefore achieving a standard of quality for maintenance, reliability, and operation throughout all renovation and new building projects.

Design Standard:

Supporting devices shall have a safety factor of 4 required for every fastening device or support for electrical equipment installed. Supporting devices are to withstand four times the weight of equipment it supports. Bracing shall comply with Seismic Zone 4 requirements.

- Provide electrical equipment supports.
- Verify mounting height of luminaires or items prior to installation of supporting devices when heights are not detailed.
- Install vertical support members for equipment and luminaires, straight and parallel to building walls.
- Provide independent supports to structural member for electrical luminaires, materials, or equipment installed in or on ceiling, walls or in void spaces or over furred or suspended ceilings.
- Do not use other trade's fastening devices as supporting means for electrical equipment materials or fixtures.
- Do not use supports or fastening devices to support more than one particular item.
- Support conduits within 18 inches of outlets, boxes, panels, cabinets and deflections.
- Maximum distance between supports not to exceed 8 foot spacing.
- Securely suspend junction boxes, pull boxes or other conduit terminating housings located above suspended ceiling from the floor above or roof structure to prevent sagging and swaying.
- Provide seismic bracing per CBC requirements.



Approved Manufacturers:

Substitutes Allowed:

Yes, if performance and quality equivalency can be evidenced.

Associated Design Standards and Specifications:

- 26 05 34 – BOXES

DESIGN STANDARD for Electrical Identification

Purpose:

This design standard has the purpose of creating a consistent application for the identification of electrical equipment and devices throughout the Solano Community College District therefore achieving a standard of quality throughout all renovation and new building projects.

Design Standard:

All identification material and methods to meet the following requirements based on Code requirements and industry standard of care:

- Coordinate names, abbreviations and other designations with equipment specified in this or other Divisions of the Specification or identified by the District.
- Fasten labels to equipment in a secure and permanent manner.
- Mark underground utilities in conformance with APWA.
- Conform to requirements of the CEC, latest adopted version with amendments by local AHJs.
- Furnish products listed by UL or other testing firm acceptable to AHJ.
- Where signs are to be applied to surfaces which require finish, install identification after completion of painting.

All engraved labels to meet the following requirements based on Code requirements and industry standard of care:

- Melamine plastic laminate, white with black core, 1/16-inch thick.
- Engravers standard letter style, minimum 3/16-inch high capital letters.
- Drill or punch labels for mechanical fastening except where adhesive mounting is necessary because of substrate. Use self tapping stainless steel screws.
- Dymo tape labels are not acceptable.

- Install an engraved label on each major unit of electrical equipment indicating both equipment name and circuit serving equipment (e.g. "EF-1, CKT. 2P1-1,3,5), including but not limited to the following items:
 - Disconnect switches, identify item of equipment controlled.
 - Relays.
 - Contactors.
 - Time switches.
 - Override switches.
 - Service disconnect and distribution switches, identify connected load.
 - Branch circuit panelboards.
 - Central or master unit of each electrical system including communication/signal systems, unless the unit incorporates its own self-explanatory identification.
- Install engraved on the inside of flush panels, visible when door is opened. Install label on outside of surface panel.

All conductor numbers to meet the following requirements based on Code requirements and industry standard of care:

- Manufacturers standard vinyl-cloth self-adhesive cable and conductor markers of the wraparound type. Preprinted black numbers on yellow field.
- Apply markers on each conductor for power, control, signaling and communications circuits where wires of more than one circuit are present.
- Match conductor identification used in panelboards, shop drawings, contact documents and similar previously established identification for division 26 work.

All branch circuit schedules to meet the following requirements based on Code requirements and industry standard of care:

- Provide branch circuit identification schedules, typewritten, clearly filled out, to identify load connected to each circuit and location of load. Numbers to correspond to numbers assigned to each circuit breaker pole position.
- Provide two columns, odd numbers in left column, even numbers in right column, with 3-inch-wide line for typing connected load information.

All relay panel schedules to meet the following requirements based on Code requirements and industry standard of care:

- Provide typewritten schedule to identify the incoming circuit, the controlled load, and the controlling devices for each relay.

All identification for circuit breakers to meet the following requirements based on Code requirements and industry standard of care:

- Provide permanent identification number in or on panelboard dead-front adjacent to each circuit breaker pole position. Square D adhesive is approved, other adhesives by specific prior approval only.
- Horizontal centerline of engraved numbers to correspond with centerline of circuit breaker pole position.

Provide underground utility markers to meet the following requirements based on Code requirements and industry standard of care:

- Inert polyethylene plastic ribbon, 6-inch wide by 4 mil thick.
- Color code as recommended by APWA. Safety Red for electric power distribution. Safety Alert Orange for telephone, signal, data and cable TV.
- Imprint over entire length of ribbon in permanent black letters, the system description, selected from manufacturer's standard legend which most accurately identifies the subgrade system.
- Install continuous tape, 6 to 8 inches below finish grade, for each exterior underground raceway.
- Where multiple small lines are buried in a common trench and do not exceed an overall width of 16 inches, install a single marker. Over 16 inch width of lines, install multiple tapes not over 10 inches apart (edge to edge) over the entire group of lines.

Approved Manufacturers:

- Engraved Labels: Lamicoid
- Conductor Numbers: Brady
- Underground Utilities Ribbon: Allen Systems, Inc.

Substitutes Allowed:

Yes, if performance and quality equivalency can be evidenced.

Associated Design Standards and Specifications:

- 26 05 26 – Grounding
- 26 05 34 - Boxes

DESIGN STANDARD for Electrical Acceptance Testing

Purpose:

Provide testing, evaluation and calibration of equipment provided, installed and connected in Division 1. This design standard has the purpose of maintaining a consistent method for electrical acceptance testing throughout all renovation and new building projects for the Solano Community College District.

Design Standard:

- Acceptance Testing Criteria: Latest edition of Acceptance Testing Specifications for Electrical Power Distribution Equipment and Systems, published by IETA.
- System Description:
 - Performance Requirements:
 - Retain the services of a recognized independent testing firm for the purpose of performing inspections and tests as specified herein.
 - Independent test firm providing report direct to Architect.
 - Material, equipment, labor and technical supervision to perform tests and inspections provided by testing firm.
 - It is the intent of these tests to assure that electrical equipment, Contractor or Owner supplied, is operational within industry and manufacturer's tolerances and is installed in accordance with design Specifications.
 - Tests and inspections determine suitability for energization.
 - Supply to the independent testing organization complete sets of approved shop drawings, coordination study (provided by Contractor's equipment supplier under Contractor's direction, setting of adjustable devices and other information requested by testing agency).
 - Scope of Testing, Evaluation and Calibration:
 - Power transformers.
 - Distribution transformers.
 - Low voltage circuit breakers (greater than 100 amp).

- Medium voltage circuit breakers.
- Metal enclosed switchgear.
- Switchboards.
- Ground fault protective signaling.
- Protective relays and associated instrument transformers.
- Medium voltage cables.
- Bus duct.
- Grounding systems.
- Motor control centers.
- Generators.
- Automatic transfer switches.
- Test Reports:
 - Maintain written record of tests.
 - At completion of project, assemble and certify a final test report. Submit report to Architect prior to final acceptance to include:
 - Summary of project.
 - Description of equipment tested.
 - Visual inspection report.
 - Description of tests.
 - Test results.
 - Conclusions and recommendations.
- Qualifications of Testing Firm:
 - Corporately independent testing organization which can function as an unbiased testing authority, professionally independent of the manufacturers, suppliers and installers of equipment or systems evaluated by testing firms.
 - Independent organization as defined by OSHA Title 29, Part 1936 and IETA.

- Regularly engaged in the testing of electrical materials, devices, appliances, electrical installations and systems for the purpose of preventing injury to persons or damage to property and other equipment.
- Engaged in testing practices for minimum of 2 years.
- Use only full-time technicians, regularly employed by firm for testing services. Electrically unskilled employees are not permitted to perform testing or assistance of any kind. Electricians and line workers may assist, but may not perform testing or inspection services.
- Submit proof of above qualifications with Bid Documents.

The following tests are required for field quality control based on industry standard of care:

- Contractor's Responsibilities:
 - Perform routine insulation resistance, continuity and rotation tests for distribution and utilization equipment prior to and in addition to tests performed by testing firm.
 - Notify the testing firm when equipment becomes available for acceptance tests. Coordinate work to expedite project scheduling.
- Testing Firm's Responsibilities:
 - Notify District prior to commencement of any testing.
 - Report directly to District any systems, material or installation found defective on the basis of acceptance tests.
 - Provide auxiliary portable power supply necessary for conducting tests.

Associated Design Standards and Specifications:

- 26 05 26 - GROUNDING
- 26 05 33 – RACEWAYS
- 26 05 48 – SUPPORTING DEVICES
- 26 05 53 – IDENTIFICATION

DESIGN STANDARD for Occupancy Sensors Standards

Purpose:

Provide occupancy sensors, combined occupancy sensors/wall switches, and/or automatic switches to sense the presence of human activity within the desired space and enable or disable the on/off manual lighting control function provided by local switches. This design standard has the purpose of creating a consistent application of the lighting control requirements throughout the Solano Community College District therefore achieving a standard of quality for maintenance, reliability, and operation throughout all renovation and new building projects.

Design Standard:

- Occupancy Sensors
 - Passive Infrared Sensors:
 - Sensor Function: Detects human presence in the floor area being controlled by detecting changes in the Infrared energy. Sensor detects small movements, i.e., when a person is writing while seated at a desk.
 - i) Ultrasonic Occupancy Sensors:
 - Sensor Function: Detects human presence in the controlled floor area by detecting Doppler shifts in 40kHz ultrasound created by sensor.
 - Dual Technology Sensors:
 - General: Sensor has combined capability of passive infrared and ultrasonic sensors as described above.
 - Combined Occupancy Sensor/Wall Switches (“Sensor Switches”):
 - Completely self-contained sensor system that fits into a standard single gang box. Internal transformer power supply, latching dry contact relay switching mechanism compatible with electronic ballasts, compact fluorescent, and inductive loads. Triac and other harmonic generating devices are not allowed.
 - Upon detection of human activity by the detector, sensor initiates a time delay to maintain the lights on for a preset period of time. The detector shall have field adjustable time delay settings from 30 seconds to 30 minutes.
 - Factory set sensors for maximum sensitivity.
- LED lamp built into sensor indicates when occupant is detected.
 - Provide zero cross relay control with sensors and sensor/switches; relay contacts close and open when AC voltage signal is at zero.
 - Where line voltage sensors and sensor/switches are used, provide to match voltage of controlled circuit.
 - Install occupancy sensors as directed by manufacturer's instructions. Provide connections to control circuits, occupancy sensors, power supply pack and low voltage wiring.
 - Provide power packs for the sensor to control the number of circuits and/or switch legs within its area of coverage.
 - Field adjust each sensor to maximize its coverage of the room space.
 - Relocate sensors with ultrasonic technology to avoid being closer to HVAC diffusers and power packs than recommended by manufacturer.
 - Field set time delay for each device as noted below:
 - Classrooms and Conference Rooms: 30 minutes.
 - Restrooms: 15minutes. 30 minutes if interlocked with the exhaust fan.
 - Storage Rooms, Janitor's Closets, Unisex Restrooms: 5 minutes.
 - All Other Spaces: 15 minutes.
 - Timer Switches: 2 hours.
 - Prior to applying dimming controls, maintain fluorescent lighting at full output for minimum of 100 hours. If this is not done, replace lamps and ballasts of affected luminaires at no cost to Owner.
 - Parking lot lighting controlled by occupancy sensor: Provide two occupancy sensors per pole for 360-degree coverage at each pole. Mount sensors at 10 to 15 feet above grade (minimum 5 feet below pole lighting). Provide controller for each luminaire, mounting controller to adjoin luminaire and securing to pole arm. Provide liquid-tight, flexible metallic conduit and raintight junction box as needed to splice wiring between occupancy sensor and HID bi-level controller per manufacturer's installation instructions, and as allowed by luminaire manufacturer. Paint exposed conduit and junction box to match pole finish.

Approved Manufacturers:

- WattStopper

Substitutes Allowed:

Yes, if performance and quality equivalency can be evidenced.

Associated Design Standards and Specifications:

- 26 50 00 - LIGHTING

DESIGN STANDARD for Daylighting Controls

Purpose:

This design standard has the purpose of creating a consistent application of daylighting controls for the Solano Community College District therefore achieving a standard of operation, reliability and quality throughout all renovation and new building projects.

Design Standard:

Daylighting control systems include the following but not limited to:

- Continuous Dimming Daylighting Controller: Provide dimming control systems capable of controlling 10VDC control input fluorescent dimming ballasts in three output zones via one photocell, with system adjustments capable of being made at control module instead of remote photocell.
- Switched Daylighting Controller: Provide switched control systems capable of controlling three output zones via one photocell with system adjustments capable of being made at control module instead of remote photocell.
- Local Continuous Dimming Photocell: Provide local daylighting photocell capable of directly controlling up to fifty 10VDC control input fluorescent dimming ballasts.
- Local Switched Photocell: interfaces with room occupancy sensor power pack, where available.
- HID High/Low Ballast Switching: Provide HID bi-level HID controller for each HID luminaire in switched daylighting control area. Controller to contain both capacitor and control module, allowing HID ballast to be switched to 50 percent of full power output based on 24VDC control signal.
- Daylighting controls to be UL listed and carry factory warranty for minimum 5-year duration.

All daylighting controls to meet the following requirements based on Code requirements and industry standard of care:

- Continuous Dimming Daylight Controller:
 - Provide dimming control of interior lights in response to light level data, compatible with 0 to 10VDC dimming ballasts. Control system to be open loop, and will provide three output control zones consisting of a 0 to 10VDC signal compatible with fluorescent

dimnable ballasts. Control system includes three relay outputs capable of switching each of the three output zones off after an adjustable time delay when a given channel is fully dimmed.

- Installation
 - Install photocells as directed by manufacturer’s instructions. Complete connections to control circuits, photocells, control modules, power supply pack and low voltage wiring.
 - Verify with manufacturer’s representative that the sensors and photocells are laid out in compliance to manufacturer’s published sensing distribution. Provide additional sensors for complete coverage of the space being served.

Approved Manufacturers:

- Wattstopper

Substitutes Allowed:

Yes, if performance and quality equivalency can be evidenced.

Associated Design Standards and Specifications:

- 26 50 00 – LIGHTING

DESIGN STANDARD for Liquid-Type Transformers

Purpose:

Provide liquid-type transformers to step-down high voltage power for exterior installations. This design standard has the purpose of providing liquid-type transformers with a level of quality which meets the requirements throughout the Solano Community College District for all renovation and new building projects.

Design Standard:

The liquid-type transformers shall have the following characteristics based on Code requirements and standard industry practices:

- Provide compartmental type, self cooled, tamperproof and weatherproof with pad mounting provisions. Comply within the latest applicable standards of NEMA and ANSI. Provide transformer with no exposed screws, bolts or other fastening devices which are externally removable.
- Voltage: Unless otherwise indicated on Drawings, operate transformers at 3 phase, nominal delta primary to 3 phase wye secondary. Provide standard NEMA, ANSI 3 phase primary taps; that is, 10 percent range of tap voltage adjustment for transformers smaller than 30KVA and 15 percent range tap voltage adjustment for 30KVA and larger.
- Rating: Unless otherwise indicated on Drawings, provide transformer ratings continuous, with an average temperature rise, by resistance, not to exceed 65C in a 30C ambient with 100 percent of rated nameplate load connected to the secondary.
- Provide sealed tank construction of sufficient strength to withstand a pressure of 7 psi without permanent distortion. Provide welded cover with the fastening tamperproof. Provide exterior cooling panels, lifting eyes, jacking pads, and welded cover.
- Provide core and coil assembly core type with aluminum windings. Where wye wye is specified or required provide triplex or 5 legged core design.
- Provide tap changing mechanism for deenergized operation only and externally operable with two 2.5 percent full capacity taps above and two 2.5 percent full capacity taps below normal rated primary voltage.
- Provide high and low voltage compartments located side-by-side separated by a steel barrier. Provide full height air filled terminal compartments with individual doors. Provide high voltage

door fastenings which are not accessible until the low voltage door has been opened. Provide the low voltage door with a three point latching mechanism with vault type handle having provisions for a single padlock. Provide doors with lift off type stainless steel hinges and door stops. Provide removable front sills and ANSI tank grounding provisions in each compartment.

- Provide dead front construction with load break gang operated immersed switch with switch hand located in the high voltage compartment for operating with distribution hot stick. Provide 2 position on-off for radial feed unless loop feed is indicated on Drawings. If loop feed is indicated provide 4 position switch. Provide dry well canister mounted current limiting fuses externally replaceable with distribution hot stick. Size fuses to manufacturer's recommendation to final design load. Provide Series NX Arc-Strangler fuses. Provide distribution class lighting arrester mounted in the high voltage compartment.
- Provide low voltage bushings, 6 hole spade, molded epoxy with blade type spade terminals for NEMA standard hole spacing arranged for vertical take-off. Provide low voltage neutral with insulated busing grounded to the transformer tank by removable grounding strap. Wye-wye connected transformers are provided with the high and low voltage neutrals internally tied with a removable link for testing.
- Provide the following accessories:
 - 1 inch drain valve/sampling device
 - Dial type thermometer
 - Magnetic liquid level gauge
 - Pressure/vacuum gauge
 - Pressure relief valve
 - 1000KVA and larger provide sudden pressure relay
- Provide transformer coils of continuous wire wound construction.
- Provide each coil layer with end fillers or tie-downs to provide maximum mechanical strength. Braze tap terminations directly to bus stubs or lugs firmly mounted.
- Provide windings continuous from start to finish. Splicing is unacceptable. Materials incorporated must have at least a minimum of 1 year of proven field usage. Accelerated laboratory test not acceptable.
- Degrease, clean, phosphatize, prime and finish enclosures with a gray, baked enamel. Visibly ground the core of the transformer to this enclosure by means of a flexible ground strap.

- Mount transformers core and coil on vibration mounting pads designed to suppress transmission of 120 cycle frequencies and harmonics thereof. Arrange and select pads in consideration of core and coil weight. Provide additional noise suppressing mountings external to transformers where transformers are located in mechanical spaces.
- Sound levels guaranteed by manufacturer, 45dB through 150KVA and 50dB through 300KVA.

Liquid-type transformers shall meet the following installation requirements based on Code and standard industry practices:

- Provide transformers with a concrete reinforced pad.
- Mount transformers not closer to combustible materials than allowed by CEC and NFPA. Provide adequate ventilation, mount transformers away from structure as recommended by manufacturer and power utility.
- Provide transformers with 8 inch round by 24 inch (above and below grade) concrete and steel bollards where subject to vehicular traffic.
- Where transformers are grouped exterior together or with switchgear, refinish transformer or switchgear resulting in transformers and switchgear finishes matching in color and type.
- For field quality control:
 - Check for damage and tight connections prior to energizing transformers.
 - Measure primary and secondary voltages and make appropriate tap adjustments.
 - Revise the installation of noisy units to achieve an acceptable noise level or replace with a new unit with an acceptable sound level.

Approved Manufacturers:

- Square D
- General Electric
- Cutler-Hammer

Substitutes Allowed:

Upon review and approval.

Associated Design Standards and Specifications:

- 26 00 00 – Basic Electrical Requirements

DESIGN STANDARD for Dry-Type Transformers

Purpose:

Provide dry-type transformers to step-down high voltage power to end-user voltages (ex. 277V for lighting, 120V for convenience receptacles). This design standard has the purpose of providing dry-type transformers with a level of quality which meets the requirements throughout the Solano Community College District for all renovation and new building projects.

Design Standard:

- Provide transformer coils of the continuous wire wound construction and impregnate with nonhygroscopic, thermosetting varnish prior to baking.
- Maximum temperature rise at full load: 150 degrees above 40C ambient temperature. NEMA TP-1 compliant.
- Provide windings continuous from start to finish. Splicing is unacceptable. Materials incorporated must have at least a minimum of 1 year of proven field usage. Accelerated laboratory test not acceptable.
- All cores manufactured from a high-grade, nonaging silicon steel with high magnetic permeability, low hysteresis and eddy current losses. Magnetic flux densities are kept well below saturation to allow for a minimum of 10 percent over-voltage excitation.
- Ventilated openings must be designed in a manner as to prevent accidental access to live parts.
- Transformers shall be dry-type, with copper windings.
- In locations where the transformer serves computer classrooms, the transformer shall at the least be "K13" rated. Due to code requirements for California, all transformers shall be energy efficient and be rated, TP-1.
- Mount all transformers, core and coil, on vibration mounting pads designed to suppress transmission of 120 cycle frequencies and harmonics thereof. Arrange and select pads in consideration of core and coil weight. Provide additional noise suppressing mountings external to transformers where transformers are located in mechanical spaces.
- Maximum case temperature, 35C above ambient.
- Sound levels guaranteed by manufacturer, 45dB through 150KVA and 50dB through 300KVA.

- Winding Taps:
 - Less than 15KVA: 4-2-1/2 percent FCBN, FCAN.
 - 15KVA and Larger: 4-2-1/2 percent-2+2-.
- Where possible; all transformers shall be placed within the building or below grade.
 - Only under special circumstances and as approved by the District, shall a transformer be allowed to be exterior pad mounted. If the design team provides an exterior yard for equipment, pad mounted transformers may be considered.
 - Provide weather resistant enclosure and factory rating for exterior where shown at exterior locations.
 - Provide transformers with 8-inch round by 24-inch (above and below grade) concrete and steel bollards where subject to vehicular traffic.
- Transformers up to 45KVA may be floor mounted, wall mounted or suspended. Floor mount all transformers above 45KVA rating.
- Transformer Supports: Provide additional vibration isolation hangers and pads, brackets and supports as may be required for a complete installation.
- Provide transformers with concrete working or housekeeping pad minimum 8 inches larger than transformer and minimum 3 inches above finish grade. Install plumb and level. Provide exterior pads of 2500 to 3000 psi concrete reinforced with 8 gauge wire fabric or No. 6 reinforcing bars on 12-inch centers. Provide 10-inch thick base of gravel below pad for support. Pad extends 6 inches on all sides from the exterior most prominent dimension. Provide 3/4-inch by 10-foot ground rod at each corner thermally bonded to No. 2 copper ground conductor, bonded to transformer, and concrete reinforcement.
- Do not mount transformers closer to combustible materials than allowed by CEC.
- Provide adequate ventilation, mount transformers away from adjacent surfaces as recommended by manufacturer.
- Use flexible conduit, 18 inches minimum length, for connections to transformer case. Make connections to side panel or bottom of enclosure. Include ground conductor in flex.
- Mount wall mounted transformers with a minimum of 6'-6" headroom below unit.
- Provide seismic restraints per local requirements.

Approved Manufacturers:

- Square D
- General Electric
- Cutler-Hammer

Substitutes Allowed:

Upon review and approval.

Associated Design Standards and Specifications:

- 26 00 00 – Basic Electrical Requirements

DESIGN STANDARD for Switchboards and Distribution Panelboards

Purpose:

Provide switchboards, distribution panelboards, and branch panelboards for all power and lighting distribution sources to individual buildings and facilities requiring voltages under 600V. This design standard has the purpose of providing switchboards and distribution panels with a level of quality which meets the requirements throughout the Solano College District for all renovation and new building projects.

Design Standard:

All switchboards to meet the following requirements based on Code requirements and industry standard of design and care:

- Install equipment in conformance with work space requirements of CEC.
- Locate equipment in rooms or spaces dedicated to such equipment.
- Enclosures:
 - Free standing, dead front with front accessibility.
 - Framework constructed of formed, code gauge steel, rigidly welded and bolted together to support coverplates, bussing, and component devices during shipment and installation. Bolt steel base channels to the frame to rigidly support the entire shipping section for moving on rollers and floor mounting.
 - Provide each section with individually removable top plate and open bottom to permit installation and termination of service and feeder raceways.
 - Removable Front Covers: Screw attached.
 - Provide removable hinge pins on hinged doors.
 - Paint interior and exterior surfaces. Medium light gray finish, applied by electro-deposition process over an iron phosphate pretreatment.
 - All panel boards, switchboards, motor control centers and other components of electrical systems shall be Nema 1 when enclosed within a building. Except when subjected to moisture, the housing shall be Nema 3R.

- All floor standing equipment shall be mounted on a minimum 6" reinforced concrete pad. All panelboards shall be provided with a minimum of 30% expansion capacity.
- Bussing:
 - Material: Plated copper.
 - Ground Bus: Full length of switchboard, 50 percent of phase bus capacity.
 - Neutral Bus: 100 percent rated, full length of switchboard.
- Provide fully rated integrated equipment rating greater than the available fault current. Series rated switchboards are not acceptable. Coordinate with serving electric utility.
- Lugs: Compression type rated for both aluminum and copper conductors.
- Molded Case Circuit Breakers are to be NEMA AB 1, with standard frame sizes, trip ratings, and number of poles, and interrupting capacity to meet available fault currents. Molded-case circuit breakers are also identified as:
 - Thermal-Magnetic Circuit Breakers: Inverse time-current element for low-level overloads, and instantaneous magnetic trip element for short circuits. Adjustable magnetic trip setting for circuit-breaker frame sizes 250A and larger.
 - Adjustable Instantaneous-Trip Circuit Breakers: Magnetic trip element with front-mounted, field-adjustable trip setting.
 - Electronic Trip Unit Circuit Breakers: RMS sensing; field-replaceable rating plug; with the following field-adjustable settings:
 - Instantaneous trip.
 - Long- and short-time pickup levels.
 - Long- and short-time adjustments.
 - Ground-fault pickup level, time delay, and I²t response.
 - Current-Limiting Circuit Breakers: Frame sizes 400A and smaller; let-through ratings less than NEMA FU 1, RK-5.
 - Integrally Fused Circuit Breakers: Thermal-magnetic trip element with integral limiter-style fuse listed for use with circuit breaker; trip activation on fuse opening or on opening of fuse compartment door.
- Enclosed, Insulated-Case Circuit Breaker: Fixed mounting, manually closed, fully rated, encased-power circuit breaker with interrupting capacity rating to meet available fault current.

- Two-step, stored energy closing.
- Microprocessor-based trip units with interchangeable rating plug, LED trip indicators, and the following field-adjustable settings:
 - Instantaneous trip.
 - Long- and short-time pickup levels.
 - Long- and short-time adjustments.
 - Ground-fault pickup level, time delay, and I²t response.
- Remote trip indication and control capability.
- Key Interlock Kit: Externally mounted to prohibit circuit-breaker operation; key shall be removable only when circuit breaker is in off position.
- Zone-Selective Interlocking: Integral with electronic trip unit; for interlocking ground-fault protection function.

All lighting and appliance branch panelboards to meet the following requirements based on Code requirements and industry standard of design and care:

- Enclosures:
 - Flush Panelboards Rated 400 Amp or Less: Maximum enclosure depth, 5-3/4-inches.
 - Wiring Gutter Size: 5 inches at sides, 6 inches top and bottom.
 - Finish: Galvanized steel constructed in accordance with UL 50 requirements. Front shall have ANSI 49 gray enamel electrodeposited over cleaned phosphatized steel.
 - Hinged door with door-in-door construction, flush lift latch and lock, two keys per panel. Key panelboards alike.
- Interior:
 - Copper bar with suitable electroplating (tin) for corrosion control at connection.
 - Provide copper ground bar to accommodate specified terminal lugs.
 - Predrill bus for bolt-on type circuit breakers.
 - Provide double lugs or landing pads for feed through feeders.
 - Provide feed through feeder lugs for field connection of multi-section flush panel sections, where applicable.

- When distribution panel is feeding isolated ground circuits, provide isolated ground bar, insulated from panelboard enclosure, to accommodate specified terminal lugs.
- Provide fully rated integrated equipment rating greater than the available fault current. Coordinate available fault current with serving electric utility. Minimum rating is 10,000 amps.
- Lugs: Compression type rated for both aluminum and copper conductors.
- Provide interior wiring diagram, neutral wiring diagram, UL listed label and short circuit current rating on the interior or in a booklet format inserted in a sleeve inside the panel cover.

- Main Circuit Breaker, Where Applicable:

- UL listed to accept solid or stranded, aluminum or copper conductors. Lugs: suitable for 90C rated wire sized according to the 75C temperature rating per CEC.

- Branch Circuit Breakers:

- Bolt-on type bus connectors.
- UL listed to accept solid or stranded, aluminum or copper conductors. Lugs: suitable for 90C rated wire sized according to the 75C temperature rating per CEC.
- UL listed for use with the following factory installed accessories: shunt trip, auxiliary switch and alarm switch.
- UL listed with the following ratings:
 - 15 to 125 amp breakers: Heating, Air Conditioning, and Refrigeration (HACR).
 - 15 to 30 amp breakers: High Intensity Discharge (HID) lighting.
 - 15 to 20 amp breakers: Switch Duty (SWD).
- When indicated on drawings, provide 200 percent rated copper neutral assembly.
- When indicated on drawings, provide an isolated ground bus in addition to the equipment ground bus.

All power distribution panelboards to meet the following requirements based on Code requirements and industry standard of design and care:

- Enclosures:

- Provide boxes with removable blank end walls and interior mounting studs. Provide interior support bracket for ease of interior installation.
- Finish: Galvanized steel constructed in accordance with UL 50 requirements. Front shall have ANSI 49 gray enamel electrodeposited over cleaned phosphatized steel.
- Hinged door with door-in-door construction, flush lift latch and lock, two keys per panel. Key panelboards alike.
- Interior:
 - Copper bar with suitable electroplating (tin) for corrosion control at connection.
 - Provide copper ground bar to accommodate specified terminal lugs.
 - Panelboard interior: three flat bus bars stacked and aligned vertically with glass reinforced polyester insulators laminated between phases. Molded polyester insulators shall support and provide phase isolation to entire length of bus.
 - Predrill bus for bolt-on type circuit breakers.
 - Provide double lugs or landing pads for feed through feeders.
 - Provide feed through feeder lugs for field connection of multi-section flush panel sections.
 - When distribution panel is feeding isolated ground circuits, provide isolated ground bar, insulated from panelboard enclosure, to accommodate specified terminal lugs.
 - Fully equip unused spaces for future devices, including manufacturer required connectors and mounting hardware.
 - Provide fully rated integrated equipment rating greater than the available fault current. See drawings for available fault current. Coordinate available fault current with serving electric utility. Minimum rating is 10,000 amps.
 - Lugs: Compression type rated for both aluminum and copper conductors.
 - Provide interior wiring diagram, neutral wiring diagram, UL listed label and short circuit current rating on the interior or in a booklet format inserted in a sleeve inside the panel cover.
 - When indicated on drawings, provide 200 percent rated copper neutral assembly.
 - When applicable, provide an isolated ground bus in addition to the equipment ground bus.

All instrumentation equipment to meet the following requirements based on Code requirements and industry standard of design and care:

- Multifunction Digital-Metering Monitor: Microprocessor-based unit suitable for three- or four-wire systems and with the following features:
- Switch-selectable digital display of the following values with maximum accuracy tolerances as indicated:
 - Phase Currents, Each Phase: Plus or minus 1 percent.
 - Phase-to-Phase Voltages, Three Phase: Plus or minus 1 percent.
 - Phase-to Neutral Voltages, Three Phase: Plus or minus 1 percent.
 - Megawatts: Plus or minus 2 percent.
 - Megavars: Plus or minus 2 percent.
 - Power Factor: Plus or minus 2 percent.
 - Frequency: Plus or minus 0.5 percent.
 - Megawatt Demand: Plus or minus 2 percent; demand interval programmable from 5 to 60 minutes.
 - Accumulated Energy, Megawatt Hours: Plus or minus 2 percent. Accumulated values unaffected by power outages up to 72 hours.

Approved Manufacturers:

- Square D
- General Electric
- Cutler-Hammer
- Eaton

Substitutes Allowed:

Upon review and approval.

Associated Design Standards and Specifications:

- 26 00 00 – Electrical Basic Requirements

DESIGN STANDARD for Motor Control Centers

Purpose:

This design standard has the purpose of creating a consistent application of motor control centers throughout the Solano Community College District therefore achieving a standard of maintenance, reliability and quality throughout all renovation and new building projects.

Design Standard:

All motor control centers to meet the following requirements based on Code requirements and industry standard of care:

- Regulatory Requirements: The MCC must conform to Underwriters Laboratory (UL) 845, current revision, CSA, EEMAC, NEMA ICS-2, the latest version of the National Electrical Code. The MCC must be manufactured in an ISO 9001 certified facility.
- Do not place motor control centers in hazardous locations. The area chosen shall be well ventilated and totally free from humidity, dust and dirt. The temperature of the area shall be no less than 32F and no greater than 104F. For indoor locations, protection must be provided to prevent moisture entering the enclosure.
- Locate motor control centers in an area which allow a minimum of 3 feet of free space in front of front-of-board construction. An additional 3 feet should be allowed in the rear of back-to-back construction. This free space will give adequate room to remove and install units. Provide a minimum of 0.5-inch space between the back of front-of-board MCCs and a wall (6 inches required for damp locations).
- Assemble the MCCs in the factory on a smooth level surface so that sections are properly aligned. Provide a similar smooth and level surface for installation. The surface under a MCC shall be of a noncombustible material unless bottom plates are installed in each vertical section.

Motor control centers shall include and have the following characteristics but not limited to:

- Materials:
 - Each MCC shall consist of one or more vertical sections of heavy gauge steel bolted together to form a rigid, free-standing assembly. Mount a removable 7 gauge structural steel lifting angle full width of the MCC lineup at the top. Mount removable 7 gauge bottom channel sills underneath front and rear of the vertical sections extending the full width of the lineup. Vertical sections made of welded side-frame assembly formed from

a minimum of 12 gauge steel. Internal reinforcement structural parts shall be of 11 gauge steel to provide a strong, rigid assembly. Construct and package the entire assembly to withstand stresses included in transit and during installation.

- MCC Finish:
 - Provide steel parts with UL and CSA listed acrylic/alkyd baked enamel paint finish, except plated parts used for ground connections. Painted parts shall undergo a multi-stage treatment process, followed by the finishing paint coat.
 - Pretreatment shall include:
 - Hot alkaline cleaner to remove grease and oil.
 - Iron phosphate treatment to improve adhesion and corrosion resistance.
 - Apply paint using an electrodeposition process to ensure a uniform paint coat with high adhesion.
 - Test the standard paint finish to UL 50 per ASTM B117 with no greater than 0.125 in loss of paint from a scribed line.
 - Paint Color: No. 49 medium light gray per ANSI standard Z55.1-967 on surfaces unless specified otherwise.
- Structures:
 - Totally enclose structures, dead-front, free-standing assemblies. Structures capable of being bolted together to form a single assembly.
 - The overall height of the MCC shall not exceed 90 inches (not including base channel). Base channels, of 1.5 inches in height, shall be removable. The total width of one section shall be 20 inches.
 - Structures: NEMA/EEMAC 1 general purpose, 12 (industrial duty), or 3R non-walk-in (rainproof) depending on installation.
 - Each 20-inch wide standard section shall have the necessary hardware and bussing for modular plug-in units to be added and moved around. Cover unused space with hinged blank doors and equipped to accept future units. Cover vertical bus openings with manual bus shutters.
 - Each section shall include a top plate. NEMA/EEMAC 12 shall also include a bottom plate. Top and bottom plates removable for ease in cutting conduit entry openings.

• Wireways:

- Structures shall contain a minimum 12-inch high horizontal wireway at the top of each section and a minimum 6-inch high horizontal wireway at the bottom of each section. These wireways shall run the full length of MCC to allow room for power and control cable to connect between units in different sections.
- Provide a full-depth vertical wireway in each MCC section that accepts modular plug-in units. The vertical wireway shall connect with both the top and bottom horizontal wireway and isolated from unit interiors by a full height barrier. The vertical wireway 4 inches wide minimum with a separate hinged door. There should be a minimum of 4,000 in3 of cabling space available. Access to the wireways shall not require opening control unit doors. Structures that house a single, full section control unit are not required to have vertical wireways. Those control units must open directly into the MCC horizontal wireways.

• Barriers:

- Isolate power bussing and splice connections from the unit compartments and the wireways. Mount the horizontal bus onto a glass filled polyester support assembly that braces the bus against the forces generated during a short circuit. Isolate the horizontal bus from the top horizontal wireway by a two-piece grounded steel barrier. Provide removable barrier to allow access to the bus and connections for maintenance.
- House the vertical bus in a molded glass-filled polyester support that provides bus insulation and braces the bus against the forces generated during a short circuit. These supports shall have openings every 3 inches for unit stab-on connections. Provide each opening with a manual shutter to close off the stab opening. Attach these shutters to the structure so that when they are removed they are retained in the structure and are readily accessible for use should a plug-in unit be removed from the MCC.
- Provide barriers in the vertical structure and unit designs to prevent the contact of any energized bus or terminal by a fishtape inserted through the conduit or wireway areas.

• Bussing:

- Bussing and Connectors: Tin-plated or silver-plated copper.
- Main Horizontal Bus: Rated at 600A, 800A, 1200A, 1600A, or 2000A continuous and shall extend the full length of the MCC. Base bus ratings on 65C maximum temperature rise in a 40C ambient. Provide provisions for splicing additional sections onto either end of the MCC.

- Horizontal Bus Splice Bars: Preassembled into a captive bus stack. This bus stack is installed into the end of the MCC power bus to allow the installation of additional sections. The main bus splice shall utilize four bolts, two on each side of the bus split, for each phase. Additional bolts must not be required when splicing higher amperage bus. The splice bolts shall secure to self clenching nuts installed in the bus assembly. It shall be possible to maintain any bus connection with a single tool. "Nut and bolt" bus connections to the power bus shall not be permitted.
- Provide each section that accepts plug-in units with a vertical bus for distributing power from the main bus to the individual plug-in starter units. This bus shall be of the same material and plating as the main bus, and rated at 300A or 600A continuous. Connect the vertical bus directly to the horizontal bus stack without the use of risers or other intervening connectors. It shall be possible to maintain the vertical to horizontal bus connection with a single tool. "Nut and bolt" bus connections to the power bus are not permitted. When a back-to-back unit arrangement is utilized, provide separate vertical bus for both the front and rear units.
- Provide a tin-plated copper ground bus that runs the entire length of the MCC. Ground bus: 0.25 by 1 inch and rated for 300 amps. Provide a compression lug in the MCC for a 4/0-250 kcmil ground cable. Provide the ground bus with six 0.38-inch holes for each vertical section to accept customer-supplied ground lugs for any loads requiring a ground conductor.
- Each vertical section shall have a copper vertical ground bus that is connected to the horizontal ground bus. Install this vertical ground bus so that the plug-in units engage the ground bus prior to engagement of the power stabs and shall disengage only after the power stabs are disconnected upon removal of the plug-in unit.
- Brace the power bus system for a short circuit capacity as determined by information from the utility and a short circuit study.

• Unit Construction:

- Units with circuit breaker disconnects through 250A frame, and fusible switch disconnects through 200A, shall connect to the vertical bus through a spring reinforced stab-on connector. Connect units with larger disconnects directly to the main horizontal bus with appropriately sized cable or riser bus. Stabs on plug-in units shall be solidly bussed to the unit disconnect. Cabled stab assemblies are not permitted.
- Conducting parts on the line side of the unit disconnect shrouded by a suitable insulating material to prevent accidental contact with those parts.
- Unit mounting shelves shall include hanger brackets to support the unit weight during installation and removal. Plug-on units shall use a twin-handle camming lever located at

the top of the bucket to rack in and out the plug-on unit. The cam lever shall work in conjunction with the hanger brackets to ensure positive stab alignment.

- A cast metal handle operator must be provided on each disconnect. With the unit stabs engaged into the vertical phase bus and the unit door closed, the handle mechanism shall allow complete ON/OFF control of the unit disconnect with clear indication of the disconnects status. Circuit breaker operators shall include a separate TRIPPED position to clearly indicate a circuit breaker trip condition. It shall be possible to reset a tripped circuit breaker without opening the control unit door.
 - A mechanical interlock shall prevent the operator from opening the unit door when the disconnect is in the ON position. Another mechanical interlock shall prevent the operator from placing the disconnect in the ON position while the unit door is open. It shall be possible for authorized personnel to defeat these interlocks.
 - Provide a nondefeatable interlock between the handle operator and the cam lever to prevent installing or removing a plug-on unit unless the disconnect is in the OFF position.
 - The plug-in unit shall have a grounded stab-on connector which engages the vertical ground bus prior to, and releases after, the power bus stab-on connectors.
 - Provide provisions for locking disconnects in the OFF position with up to three padlocks.
 - Locate handle mechanisms on the left side to encourage operators to stand to the left of the unit being switched.
 - Unit construction shall combine with the vertical wireway isolation barrier to provide a fully compartmentalized design.
- High Density Unit Construction:
 - Units with circuit breaker disconnects through 100 A frame, and fusible switch disconnects through 100 A, shall connect to the vertical through a spring-reinforced stab-on connector. Cable connect stabs on plug-on units to the unit disconnect. High density units shall accept Class J fuses only and to be rated for 100,000 AIR (amperes interrupting rating) at 600 volts. Rate high density units with breakers for 65,000 AIR at 480 volts.
 - Conducting parts on the line side of the unit disconnect be shrouded by a suitable insulating material.
 - Unit mounting shelves shall include hanger brackets to support the unit weight during installation and removal. High density units installable without the assistance of a camming device so as to allow maximum accessibility with the unit installed.

- Provide a cast metal handle operator on each disconnect. With the unit stabs engaged into the vertical phase bus and the unit door closed, the handle mechanism shall allow complete ON/OFF control of the unit disconnect with clear indication of the disconnects status. Circuit breaker operators shall include a separate TRIPPED position to clearly indicate a circuit breaker trip condition. It shall be possible to reset a tripped circuit breaker without opening the control unit door.
 - A mechanical interlock shall prevent an operator from opening the unit door when the disconnect is in the ON position. Another mechanical interlock shall prevent an operator from placing the disconnect in the ON position while the door is open. It shall be possible for authorized personnel to defeat these interlocks.
 - Provide a nondefeatable interlock between the handle operator and the structure to prevent installing or removing a plug-on unit unless the disconnect is in the OFF position. The plug-on unit shall have a grounded stab-on connector which engages the vertical ground bus prior to, and releases after, the power bus stab-on connectors.
- Provide provisions for locking disconnects in the OFF position with up to three padlocks.
- Locate handle mechanisms on the bottom left side of the unit and operate horizontally to encourage operators to stand to the left of the unit being switched.
- Unit construction shall combine with the vertical wireway isolation barrier to provide a fully-compartmentalized design.
- Up to a maximum of 12 high-density units can be installed per vertical section without placement restrictions in new or existing applications.

- Components:
 - Combination Starters:
 - Combination starters shall utilize a unit disconnect as specified in the previous article. Furnish magnetic starters in combination starter units. Starters shall utilize NEMA/EEMAC rated contactors. Provide starters with a 3 pole, external manual reset, overload relay for thermal overload units.
 - When provided, control circuit transformers shall include internal primary protection 208V to 480V (separate primary fuse on 600V) and one secondary fuse (in the nonground secondary conductor). Size the transformer to accommodate the contactor(s) and connected control circuit loads. The transformer rating fully visible from the front when the unit door is opened.

- When a unit control circuit transformer is not provided, the disconnect shall include an electrical interlock for disconnection of externally powered control circuits.
- Provide auxiliary control circuit interlocks where indicated. Auxiliary interlocks field convertible to normally open or normally closed operation.
- Mount NEMA/EEMAC Size 1-4 starters directly adjacent to the wireway so that power wiring (motor leads) shall connect directly to the starter terminals without the use of interposing terminals. Arrange larger starters so that power wiring may exit through the bottom of the starter cubical without entering the vertical wireway.

– Terminal Blocks:

- Provide Type B wiring. Provide starter units with unit control terminal blocks.
- Terminal Blocks: Pull-apart type 600 volt and rated at 25 amps. Tin plate current carrying parts. Terminals accessible from inside the unit when the unit door is opened. Terminal blocks shall be DIN rail mounted with the stationary portion of the block secured to the unit bottom plate. Use the stationary portion for factory connections, and shall remain attached to the unit when removed. The terminals used for field connections shall face forward so they can be wired without removing the unit or any of its components.
- When Type C wiring is specified, provide starter units with unit control terminal blocks as described for Type B wiring. Provide an additional set of identical terminal blocks in a terminal compartment located in each section. Prewire these terminal blocks to the unit terminals so that field control connections can be made at the terminal compartments.

• Components For High Density Units:

– High Density Combination Starters:

- High density combination starters shall use a unit disconnect as specified in the previous article. NEMA rated units shall use magnetic starters and furnished in high density combination starter units. Starters shall use NEMA/EEMAC-rated contactors. Provide starter units with a 3 pole, external manual reset, overload relay for motor overload protection.
- When provided, control circuit transformers shall include internal primary protection 280V to 480V, and one secondary fuse (in the nonground secondary

conductor.) Size the transformer to accommodate the contactor(s) and connected control circuit loads.

- When a unit control circuit transformer is not provided, the disconnect shall include an electrical interlock for disconnection of externally powered control circuits.
- Provide auxiliary control circuit interlocks. For NEMA rated starters, auxiliary interlocks field convertible to normally open or normally closed operation.
- Mount NEMA/EEMAC size 1 starters directly adjacent to the wireway so that power wiring (motor leads) will connect directly to the starter terminals.

– Terminal Blocks for High Density Units

- Provide starter units with unit control terminal blocks.
- Terminal Blocks: Pull-apart type, 250V, and rated for 10 amperes. Tin plate current-carrying parts. Terminals accessible from inside the unit when the unit door is opened. Use the stationary portion of the terminal block for factory connections and will remain attached to the unit when the portion used for field connections is removed. The terminals used for field connections accessible so they can be wired without removing the unit or any of its components.

– Pilot Device Control Panel: Provide each unit with a control panel for up to a maximum of four pilot devices. Control panel to be removable by loosening two semi-captive fasteners for customer access.

Approved Manufacturers:

- Square D
- General Electric
- Cutler-Hammer

Substitutes Allowed:

Yes, if performance and quality equivalency can be evidenced.

Associated Design Standards and Specifications:

- 26 00 00 – Electrical Basic Requirements

DESIGN STANDARD for Wiring Devices

Purpose:

This design standard has the purpose of creating a consistent application of wiring devices throughout the Solano Community College District therefore achieving a standard of maintenance, reliability and quality throughout all renovation and new building projects.

Design Standard:

Wiring devices are identified as the following but not limited to:

- Wall Switches:
 - Toggle type
 - Pilot light toggle type (handle is on when load is energized)
 - Lighted handle toggle type (handle is on when load is not energized)
 - Key switches
- Receptacles:
 - Duplex receptacles
 - Isolated ground receptacles
 - Ground Fault Circuit Interrupter (GFCI) receptacles
 - Tamper Resistant receptacles
 - Special Purpose Receptacles (NEMA type as applicable)
- Wall Dimmers

All wiring devices to meet the following requirements based on Code requirements and industry standard of care:

- For Wall Switches:
 - Characteristics: Toggle type, quiet acting, 20 amp, 120/277 volt, UL listed for motor loads up to 80 percent of rated amperage.

- Pilot Light Switches: Lighted handle, toggle type, red unless noted otherwise, neon pilot lamp. Pilot lamp energized when load is energized.
- Lighted Handle Switches: Lighted handle, quiet acting, 20 amp, 120/277 volt, toggle type, red unless noted otherwise, neon lamp. Lamp energized when load is not energized.
- Key Switches: 20 amp/120-277 volt, black key guide.
- Finish: As selected by District. Provide District with optional colors for selection prior to ordering.
- Appearance: Provide lighting switches and receptacles of common manufacturer and appearance.

- For Receptacles:
 - Commercial Grade: Riveted. Brass ground contact on steel mounting strap. 20 amp.
 - Decorative Type: Back and side wired. 20 amp.
 - Isolated Ground Receptacle: Isolated ground "delta" on receptacle face, same finish as standard duplex receptacles, 20 amp.
 - Ground Fault Circuit Interrupter (GFCI) Receptacle: Meets or exceeds UL943 (Class A GFCI), UL498. Feed through type, back-and-side wired, 20 amp, 125VAC.
 - Tamper-Resistant Receptacle: 20 amp, 125VAC, complies with CEC requirements for tamper-resistant outlets in areas where children are cared for.
 - UL Wet-Listed Covers While-In-Use: NEMA 3R when closed over energized plug. Vertical mount for duplex receptacle. Provide continuous use cover with cover capable of closing over energized cord cap with bottom aperture for cord exit.
- Coverplates shall be nylon thermoplastic.
- For Wall Dimmers, size dimmers to accept connected load. Do not cut fins. Where dimmers are ganged together, provide a single multigang coverplate.
- Conform to requirements of the CEC, latest adopted version with amendments by local AHJs.
- Furnish products listed by UL or other testing firm acceptable to AHJ.
- Federal Specification Compliance: Comply with Federal Specification WS896 and WC596 for switches and receptacles respectively.

- NEMA Configuration: Comply with NEMA configurations and standards for general and special purpose wiring devices.
- Orientation:
 - Wall-Mounted Receptacles: Install with long dimension oriented vertically at centerline height shown on Drawings or specified herein.
 - Vertical Alignment: When more than one outlet is shown on Drawings in close proximity to each other, but at different elevations, align the outlets on a common vertical center line for best appearance. Verify with Architect.
- Locate receptacles in convenient locations for the users. Do not locate receptacles where they will be inaccessible or inconvenient to the users.
- For quality control, provide testing of wiring devices to ensure electrical continuity of grounding connections, and after energizing circuitry, to demonstrate compliance with requirements. Test receptacles for line to neutral, line to ground and neutral to ground faults. Contractor to correct any defective wiring.

Approved Manufacturers:

- Cooper
- Hubbell
- Leviton
- Pass & Seymour

Substitutes Allowed:

Yes, if performance and quality equivalency can be evidenced.

Associated Design Standards and Specifications:

- 26 05 34 - BOXES

DESIGN STANDARD for Overcurrent Protective Devices

Purpose:

This design standard has the purpose of creating a consistent application of overcurrent protective devices throughout the Solano Community College District therefore achieving a standard of maintenance, reliability and quality throughout all renovation and new building projects.

Design Standard:

Overcurrent protective devices are identified as the following but not limited to:

- Fusible switches.
- Fuses.
- Circuit breakers.
- Fuse cabinet.

All overcurrent protective devices to meet the following requirements based on Code requirements and industry standard of care:

- For each class and ampere rating of fuse installed, provide the following quantities of spares for quantity of fuses installed:
 - 0 to 24: Provide 6 spare.
 - 25 to 48: Provide 9 spare.
 - 49 and Above: Provide 12 spare.
- Provide testing of ground fault interrupting breakers.
- Provide circuit breakers for installation in panelboards, individual enclosures or combination motor starters.
- Provide ground fault interrupter circuit breakers for equipment in damp or wet locations.
- Provide device on handle to lock breaker in "ON" position for breakers feeding time switches, night lights and similar circuits required to be continuously energized.

Approved Manufacturers:

- Fuses:
 - Bussmann Division
 - McGraw-Edison
 - Shawmut Division
 - Gould Electronic
 - Littelfuse
- Circuit Breakers and Fusible Switches:
 - Eaton Electrical
 - General Electric
 - Siemens
 - Square D
- Fuse Cabinet:
 - Bussmann
 - Circle AW
 - Ferraz-Shawmut
 - Littelfuse
 - Siemens
 - Square D

Substitutes Allowed:

Yes, if performance and quality equivalency can be evidenced.

Associated Design Standards and Specifications:

- 26 00 00 – Basic Electrical Requirements

DESIGN STANDARD for Circuit and Motor Disconnects

Purpose:

This design standard has the purpose of creating a consistent application of circuit and motor disconnects throughout the Solano Community College District therefore achieving a standard of maintenance, reliability and quality throughout all renovation and new building projects.

Design Standard:

Circuit and motor disconnects are identified as the following but not limited to:

- Toggle type disconnect switches.
- Manual motor starters.
- Safety switches.

All circuit and motor disconnects to meet the following requirements based on Code requirements and industry standard of care:

- Provide disconnect switch in sight of each motor location unless otherwise noted.
- Motors within sight of and not more than 20 feet from motor branch circuit device do not require a disconnect switch at the motor. Provide locking device on circuit protective device.
- Provide disconnect switch in site of each motor controller. Motor controller disconnect equipped with lock-out/tag-out padlock provisions do not require a disconnect switch at the controlled motor location.
- Recessed fractional horsepower exhaust ceiling or wall fan units; no disconnect switch required at motor if unit is recessed.
- Switches disconnect phase legs.
- Coordinate fuse ampere rating with installed equipment. Fuse ampere rating variance between original design information and installed equipment, size in accordance with Bussmann Fusetron 40C recommendations. Do not provide fuses of lower ampere rating than motor starter thermal units.

- For toggle type disconnect switches:
 - Rating: 120 volt, 1 pole, 20 amp, 1 HP maximum.
 - Enclosure: NEMA 1 indoors, NEMA 3R raintight outdoors.
- For manual motor starters:
 - Characteristics:
 - Quick-make, quick-break.
 - Thermal overload protection.
 - Clearly label device for maximum voltage, current and horsepower.
 - Square D, Class 2510.
 - Enclosure: NEMA 1 indoors, NEMA 3R raintight outdoors.
- For safety switches:
 - Heavy duty, fused type, dual rated, quick-make, quick-break with fuse rejection feature for use with Class R fuses only, unless other fuse type is specifically noted.
 - Enclosures: NEMA 1 indoors, NEMA 3R raintight outdoors.
 - Switches clearly marked for maximum voltage, current and horsepower.
 - Equip enclosure with defeatable cover interlock.
 - Switches rated for maximum available fault current.
- For combination starters:
 - Heavy duty, fused type, dual rated, quick-make, quick-break with fuse rejection feature for use with Class R fuses only, unless other fuse type is specifically noted.
 - Enclosures: NEMA 1 indoors, NEMA 3R raintight outdoors.
 - Clearly mark switches for maximum voltage, current and horsepower.
 - Provide coil voltage coordinated with control requirements.
 - Provide thermal overload units sized to equipment nameplate rating.
 - Provide one N.C. and one N.O. auxiliary contacts.
 - Provide prewired hand/off/auto switch and start button.

Approved Manufacturers:

- Toggle Type Disconnect Switches:
 - Cooper
 - Hubbell
 - Leviton
 - Pass & Seymour
 - Slater
- Manual Motor Starters:
 - Eaton Electrical
 - Siemens
 - Square D
- Safety Switches:
 - Eaton Electrical
 - General Electric
 - Siemens
 - Square D

Substitutes Allowed:

Yes, if performance and quality equivalency can be evidenced.

Associated Design Standards and Specifications:

- 26 00 00 – Basic Electrical Requirements

DESIGN STANDARD for Lighting

Purpose:

This design standard has the purpose of specifying complete luminaires with a level of quality which meets the requirements throughout the Solano Community College District for all renovation and new building projects.

Design Standard:

- All lighting shall be designed per the latest edition of the California Electrical Code, California Energy Code, and California Green Energy standards.
- Comply with the recommendations of the Illuminating Engineering Society (IES).
- Comply with applicable ANSI standards pertaining to lamp materials, lamp ballasts, drivers, transformers, and luminaire.
- Comply with applicable NEMA standards pertaining to lighting equipment.
- Comply with fallout and retention requirements of CBC for diffusers, baffles, louvers, and the like.
- Provide all structural and seismic supports as required by the California Building Code and approved by DSA.
- All lighting fixtures, and their placement in the building, shall be selected with future maintenance in mind.
 - No fixture shall be selected or mounted that will require more than one person to service the fixture.
 - Nor shall they be located where a 6-10 foot ladder cannot readily access the fixture for re-lamping or other maintenance.
- Provide luminaires and lamp holders which comply with UL standards and have been UL listed and labeled for location and use indicated.
- Fixtures shall have a minimum 5-year warranty from the manufacturer.
- Provide spares as noted:
 - Furnish 2 percent extra lens or louvers for each size and type of luminaire.
 - Furnish 5 percent extra drivers for each size and type of fixture.
 - Furnish 10% extra lamps for each site and type installed.
- Light Emitting Diode (LED) technical requirements:

- Luminaire manufacturers shall have a minimum of five (5) years' experience in the manufacture and design of LED products. All LED sources shall be of proven quality from established and reputable LED manufacturers. Acceptable LED manufacturers unless otherwise noted are:
 - Cree, Inc.
 - Philips Lighting
 - Osram Optronic Semiconductors.
 - Nichia
 - GE Lumination
- LED luminaires and components shall be UL listed.
- LEDs shall have a rated source life of 50,000 hours under normal operating conditions. LED "rated source life" is defined as the time when a minimum of 70% initial lumen output remains.
- LED's shall be adequately protected from moisture or dust in interior applications.
- Luminaire assembly shall include a method of dissipating heat so as to not degrade life of source, electronic equipment, or lenses. LED luminaire housing shall be designed to transfer heat from the LED board to the outside environment. Thermal management shall be passive design. The use of fans or other mechanical equipment is not allowed.
- LED drivers shall have reverse polarity protection, open circuit protection and a minimum 80 percent efficiency. Class A noise rating.
- LED fixtures shall be capable of full and continuous dimming. There shall be no visible flicker to the unaided eye over the dimming range.
- Photometry shall comply with IESNA LM-79 "Electrical and photometric measurements of solid state lighting products"
- Luminaires shall be constructed such that LED modules may be replaced or repaired without the replacement of the whole fixture.
- The LED arrays shall be constructed such that a failure of an individual LED will not result in the loss of the entire array.

Interior lighting shall be designed with the following considerations:

- Interior lighting shall be LED based. The use of non-LED fixtures is not allowed without the approval of the district on a case by case basis.
- Where lighting control systems are required per Title 24, the system shall include lighting relay control panels, daylight harvesting, motion sensors, switch inputs, and connections to other building systems (fire alarm, security and energy management systems for HVAC.)

- For classrooms supporting AV presentations:
 - Provide multi-level switching and/or dimming to switch front of class to support AV presentations while allowing some light in the student area for note taking.
 - Provide a lighting control location at front of class for easy control by instructor.
- Restroom lighting is recommended to be specified with lenses for ease of cleaning. Avoid installation of lighting over stalls (hard to maintain).
- Consider the high surface brightness of LEDs and specify downlights with diffusing lenses or recessed LED arrays within the fixtures to minimize glare.
- Under cabinet lighting shall be low profile and easily integrate into the furniture.
- Non-electric supplied exit signs shall be non-radioactive photoluminescent signs. Tritium powered (radioactive) exit signs are prohibited for installation on campus.
- Each luminaire shall consist of an assembly that utilizes LEDs as the light source. In addition, a complete luminaire shall consist of a housing, LED array, and electronic driver.
- Luminaire shall be high efficacy with a minimum of 60 lumens per watt.
- Where recessed luminaires are installed in cavities intended to be insulated, provide IC rated luminaire or other code approved installation.
- Recessed 2’x4’ luminaires shall employ concealed LED’s with a center panel.
- Luminaires installed under canopies, roof or open porches, and similar damp or wet locations, shall be UL listed for damp or wet locations.
- Recessed luminaires shall have the frame compatible with ceiling material installed at particular location. Provide proper factory trim and frame to fit location and ceiling material.
- Finishes:
 - Manufacturer’s standard finish (unless otherwise indicated) over a corrosion resistant primer.
 - Interior Light Reflecting Finishes: White or specular finish with not less than 85 percent reflectance.
- Light Transmitting Components:
 - Plastic diffusers, molded or extruded of 100 percent virgin acrylic.
 - Prismatic acrylic, extruded, flat diffusers, 0.125 inch overall thickness, unless otherwise noted

Exterior Lighting shall be designed with the following considerations:

- Confirm the color kelvin temperature rating with respect to security, proximity to observatories, and as directed by District. For example, the International Dark-Sky Association recommends a warmer 3000K rating or lower for minimizing light pollution and visual comfort. However, parking areas and higher security locations may consider a cooler 5000K rating or higher for increased visibility.
- There is a need to connect exterior fixtures to on site lighting circuits, some on night lighting circuits. Verify requirements for each of the campuses or as directed by the District.
- Provide accent lighting for building (i.e. entrances.) Entrance lighting is important as there are as many night school students as day.
- Provide for art and accent landscape lighting to surrounding area from any renovation, remodel or new construction including, but not limited to controls of lighting and point of connection.
- Coordinate placement of fixture with landscape plan to ensure trees and brush do not conflict with lights.
- Parking lots, major walkways, pathways, stairs, and intersections should be sufficiently lit to meet safety standards. Provide adequate lighting for safety without over lighting.
- Lights must have cut-offs to cover intended area but no more. Comply with Title 24 and consider minimizing light pollution.
- State of California minimum photometric foot candles for various areas must be met.

Approved Manufacturers:

Interior Lighting

- Recessed 2’ x 4’ LED Troffer
 - Manufacturer: Lithonia Lighting
 - Model: 2VTL

Exterior Lighting

- Building Overhangs (Entries)
 - Manufacturer: Alumen8e
 - Model: E-CF-LED
 - Surface mount, vandal resistant
- Parking Lot Lighting

- Manufacturer: McGraw-Edison
- Model: 20' pole with double and single LED luminaire - GLEON.
- Color: AP Gray
- Parking Lots Vallejo Center
 - Manufacturer: RAB
 - Model: Tapered pole with LED luminaire – ALED5T52N
 - Color:
- Pedestrian Walkway
 - Manufacturer: RAB
 - Model: 15' tapered pole, with luminaire - ALED5T52N.
 - Color: Custom Sandtext.
- Pathway LED Lighting
 - Manufacturer: Landscape Forms, Inc., Hawthorne.
 - Model: Hawthorne.
 - Color: Stormcloud.
 - Mount: Surface.
- On Property Roadway Lighting
 - Manufacturer: GE Lighting Solutions
 - Model: Evolve LED Roadway Lighting – ERX1 (without photo sensor)
 - Color: Gray
- Finishes:
 - Verify pole and fixture colors with District. Finishes shall be highly durable.

Substitutions Allowed

- No substitutions allowed.

Associated Design Standards and Specifications:

- 26 05 19 – Wires, Cables and Connectors
- 26 05 48 – Supporting Devices





Civil Site Standard Details

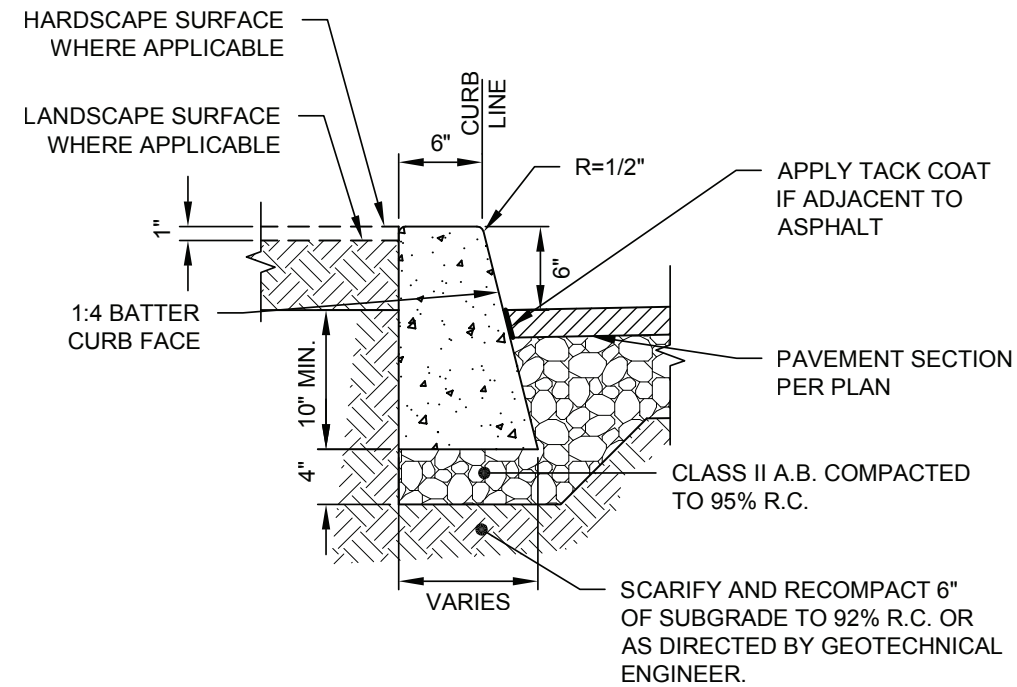
STANDARD DETAILS FOR SITE CONSTRUCTION



CSW | ST 2

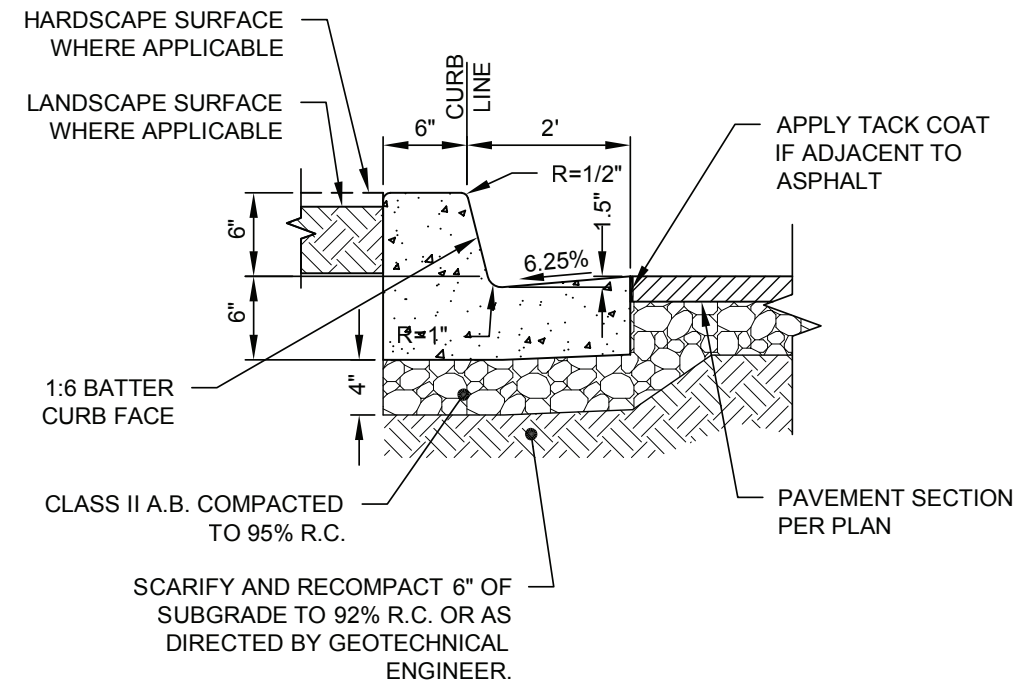
<u>TITLE</u>	<u>DWG. NO.</u>	<u>TITLE</u>	<u>DWG. NO.</u>
<u>STREETS AND HARDSCAPES</u>		<u>ELECTRICAL</u>	
CONCRETE CURB	100	MAST ARM ASSEMBLIES	400
CURB AND GUTTER	105	CAST IN PLACE LIGHTING FOUNDATION	405
PEDESTRIAN SIDEWALK	110	IDENTIFICATION OF STREET LIGHT LUMINAIRES	410
CONCRETE VEHICULAR PAVEMENT	115	PULL BOXES	415
CONCRETE VALLEY GUTTER	120	SPLICE DETAILS	420
DRIVEWAY APPROACH	125	SPLICE NOTES	425
ASPHALT PAVEMENT CONFORM	130	<u>MISCELLANEOUS</u>	
ASPHALT PAVEMENT EDGE DETAIL	135	CHAIN LINK FENCE	500
ASPHALT PAVEMENT REPAIR DETAIL	140		
<u>SANITARY SEWER AND STORM DRAINAGE</u>			
UTILITY TRENCH DETAIL	200		
SEWER CLEANOUT	205		
SEWER SERVICE LATERAL	210		
SEWER MANHOLE	215		
SIDEWALK UNDERDRAIN	220		
STORM DRAIN MANHOLE	225		
CATCH BASIN - TYPE 1	230		
CATCH BASIN - TYPE 2	235		
CATCH BASIN - TYPE 2 NOTES	240		
<u>WATER</u>			
HYDRANT DETAIL	300		
BLOWOFF DETAIL	305		
VALVE INSTALLATION	310		
DETECTOR CHECK VALVE	315		
DOUBLE CHECK DETECTOR ASSEMBLY	320		
DOUBLE CHECK VALVE	325		
REDUCED PRESSURE BACKFLOW DEVICE	330		
HORIZONTAL THRUST BLOCKS	335		
VERTICAL THRUST BLOCKS	340		

Rev. Date			SOLANO COMMUNITY COLLEGE DISTRICT STANDARD DETAILS	TABLE OF CONTENTS	
				DWG. NO. 005	January 2014



NOTES:

1. WHERE CONCRETE WALK IS ADJACENT TO CURB, PROVIDE ISOLATION JOINT BETWEEN WALK AND BACK OF CURB.
2. CONTROL JOINTS CONSISTING OF 1" DEEP SCORES SHALL BE PLACED AT 10' INTERVALS O.C. - ALL SIDES EXCEPT BOTTOM.
3. WHERE WALK IS ADJACENT TO CURB, THE JOINTS SHALL ALIGN WITH THE JOINTS IN THE CURB.

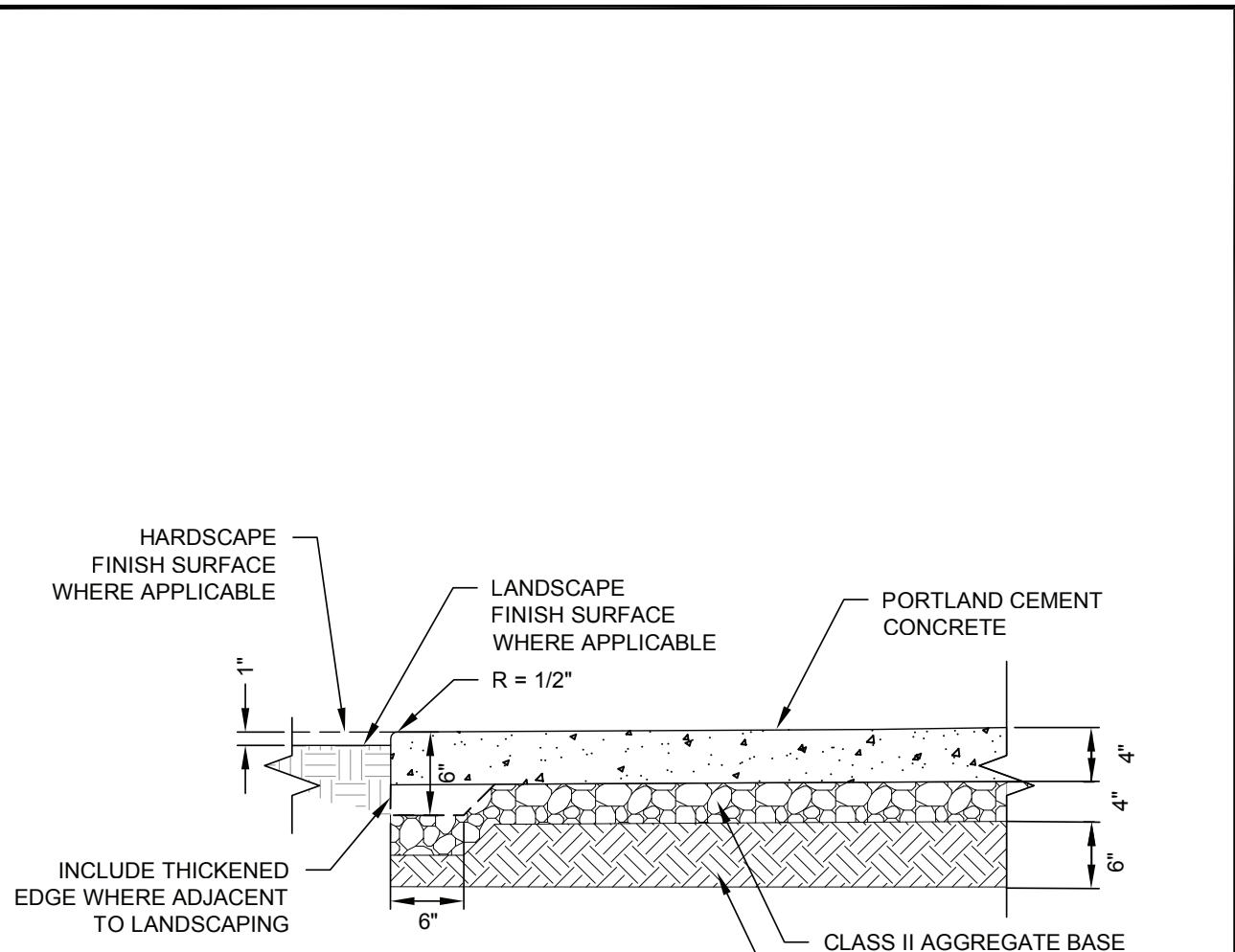


NOTES:

1. WHERE CONCRETE WALK IS ADJACENT TO CURB, PROVIDE ISOLATION JOINT BETWEEN WALK AND BACK OF CURB.
2. CONTROL JOINTS CONSISTING OF 1" DEEP SCORES SHALL BE PLACED AT 10' INTERVALS O.C. - ALL SIDES EXCEPT BOTTOM.
3. WHERE WALK IS ADJACENT TO CURB, THE JOINTS SHALL ALIGN WITH THE JOINTS IN THE CURB.

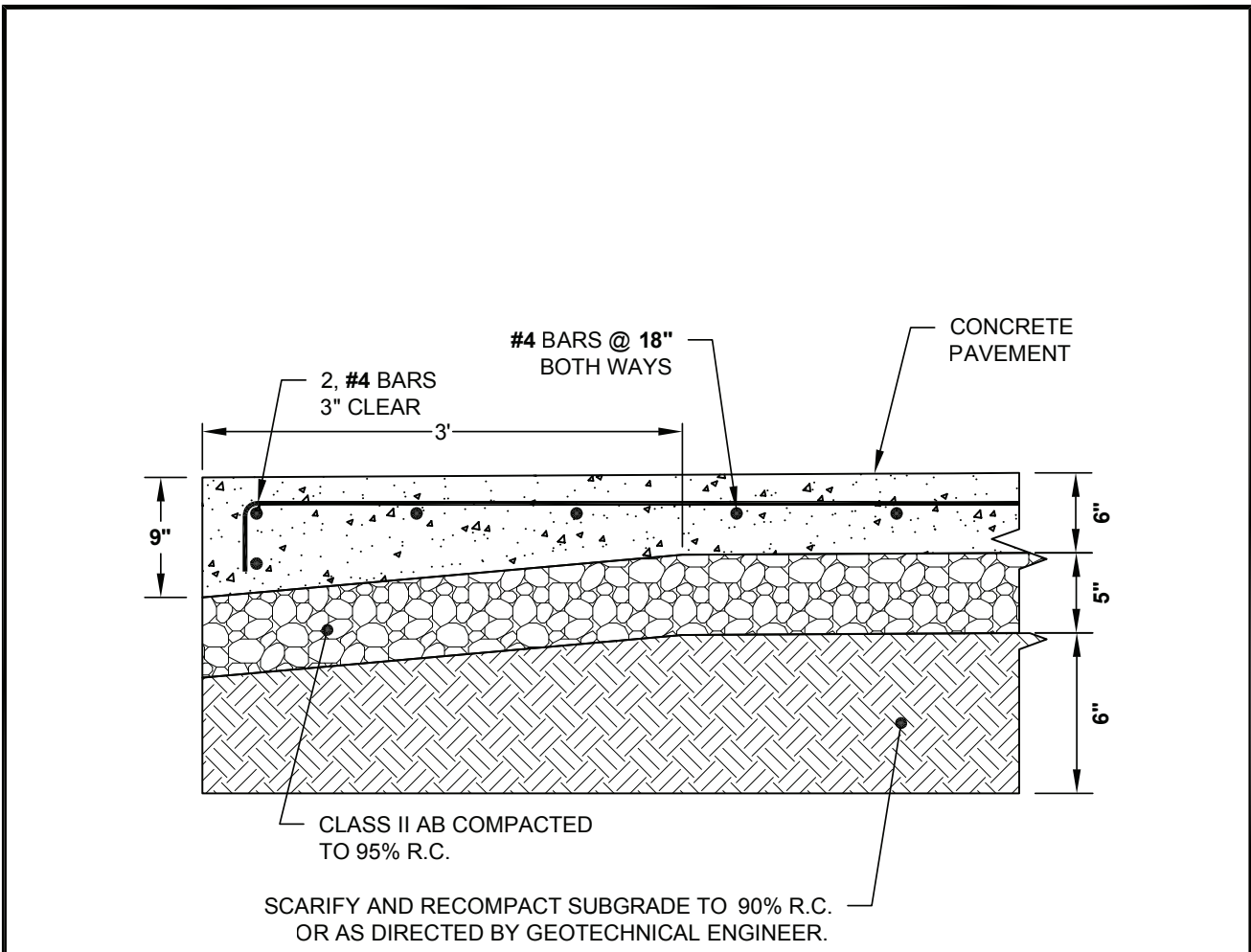
Rev. Date			SOLANO COMMUNITY COLLEGE DISTRICT		CONCRETE CURB	
CSW ST2 ENGINEERING GROUP			STANDARD DETAILS		DWG. NO. 100	January 2014

Rev. Date			SOLANO COMMUNITY COLLEGE DISTRICT		CONCRETE CURB AND GUTTER	
CSW ST2 ENGINEERING GROUP			STANDARD DETAILS		DWG. NO. 105	January 2014




NOTES:


1. ALL TREAD SURFACES SHALL BE SLIP RESISTANT.
2. REFER TO PROJECT CONSTRUCTION DRAWINGS/ SPECIFICATIONS FOR COLOR, PATTERN, TEXTURE , FINISH, AND LOCATION OF JOINTS.
3. REFER TO GEOTECHNICAL REPORT FOR SUBGRADE PREPARATION.

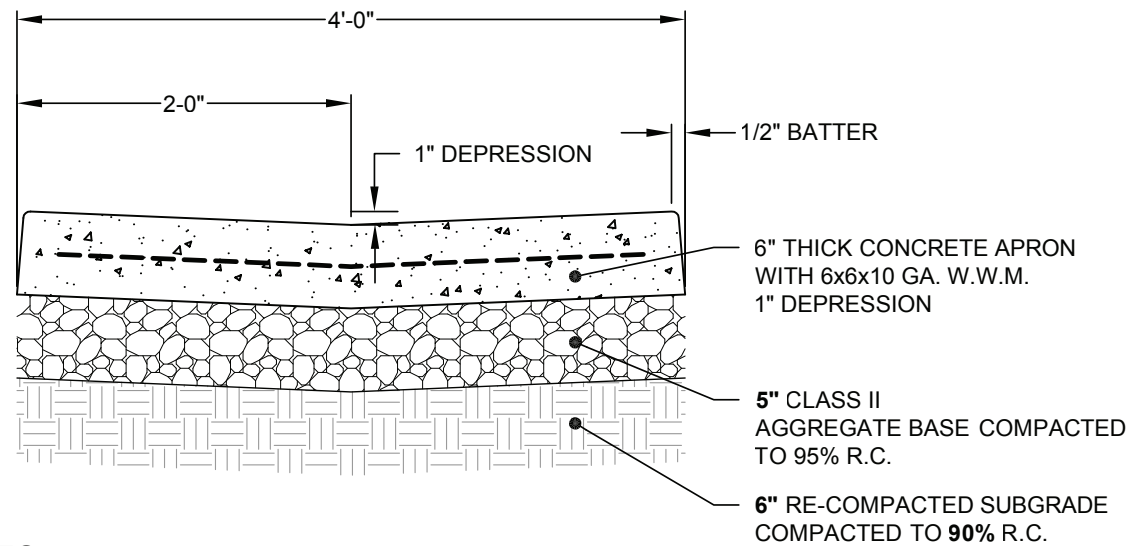


NOTES:

1. PAVEMENT SECTION SHOWN ABOVE ARE MINIMUM VALUES. REFER TO PROJECT GEOTECHNICAL REPORT FOR ACTUAL VALUES.
2. REFER TO ARCHITECTURAL PLANS FOR CONCRETE COLOR, PATTERN, TEXTURE AND FINISH.
3. SEE PROJECT CONSTRUCTION DOCUMENTS FOR DETAILS AND LOCATIONS OF CONTROL JOINTS AND EXPANSION JOINTS.
4. REFER TO GEOTECHNICAL REPORT FOR SUBGRADE PREPARATION.
5. CONCRETE COMPRESSIVE STRENGTH TO BE 4 000 PSI OR GREATER.

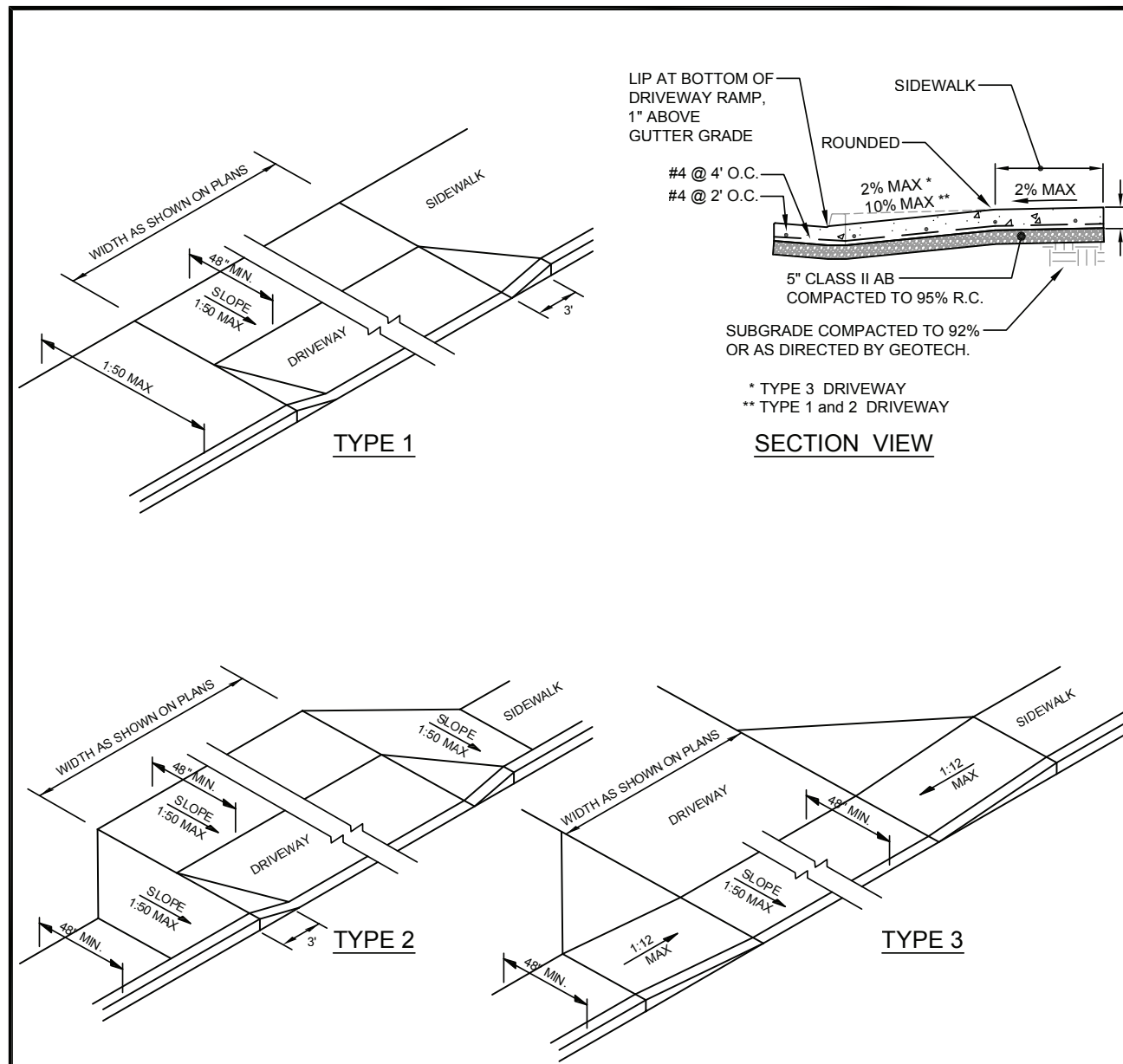
Rev. Date			SOLANO COMMUNITY COLLEGE DISTRICT		CONCRETE PEDESTRIAN WALKWAY	
CSW ST2 ENGINEERING GROUP			STANDARD DETAILS		DWG. NO. 110	January 2014


Rev. Date			SOLANO COMMUNITY COLLEGE DISTRICT		CONCRETE VEHICULAR PAVEMENT	
CSW ST2 ENGINEERING GROUP			STANDARD DETAILS		DWG. NO. 115	January 2014



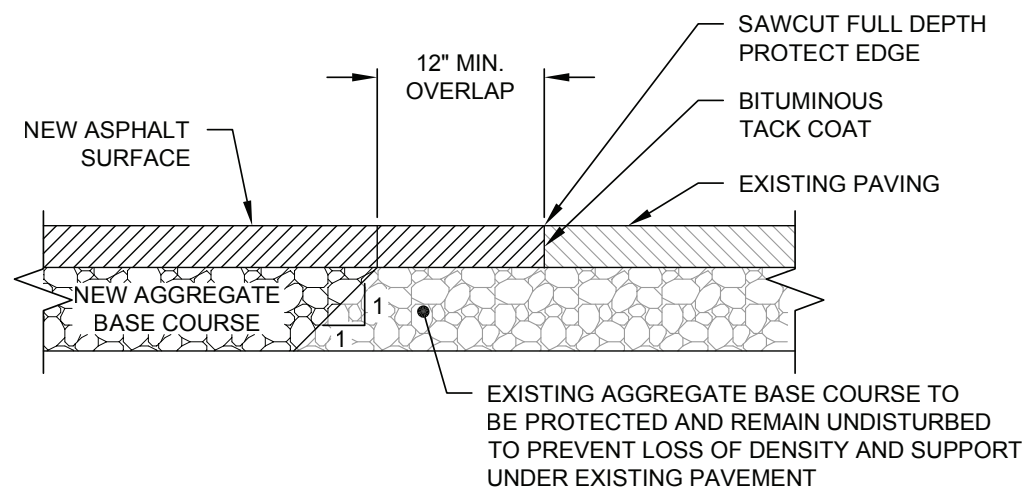
NOTES:

1. CONCRETE SHALL BE CLASS "B" (5 SACK) WITH 1" AGGREGATE.
2. NO CONCRETE SHALL BE PLACED PRIOR TO FORM INSPECTION .
3. ASPHALT CONCRETE SHALL BE 1/4" HIGH AT EDGE OF CONCRETE.
4. CONTROL JOINTS SHALL BE PLACED AT 8' INTERVALS.
5. EXPANSION JOINTS SHALL BE PLACED AT 16' INTERVALS.



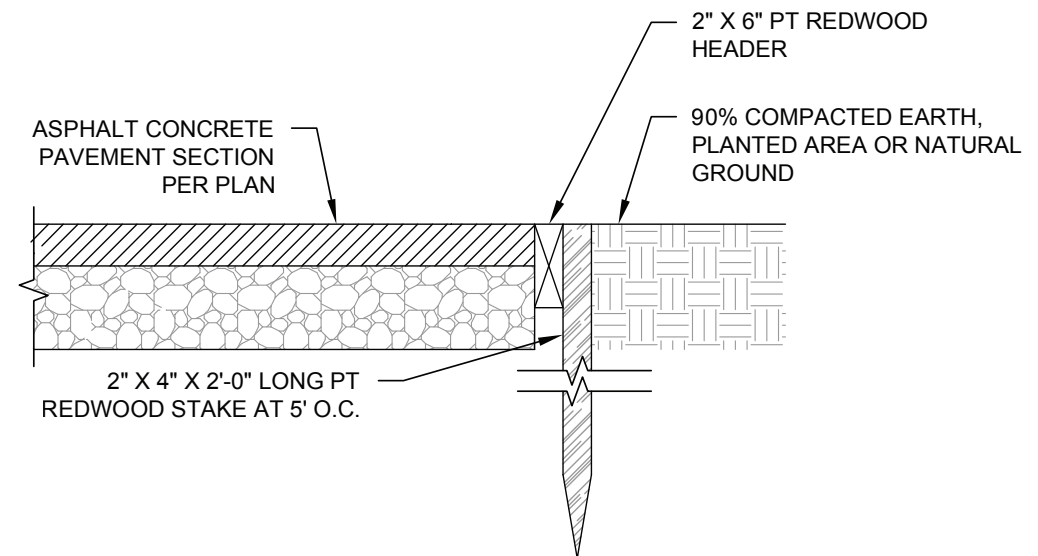
Rev. Date			SOLANO COMMUNITY COLLEGE DISTRICT		CONCRETE VALLEY GUTTER	
CSW ST2 ENGINEERING GROUP			STANDARD DETAILS		DWG. NO. 120	January 2014

Rev. Date			SOLANO COMMUNITY COLLEGE DISTRICT		DRIVEWAY APPROACH	
CSW ST2 ENGINEERING GROUP			STANDARD DETAILS		DWG. NO. 125	January 2014



NOTE:


1. REFER TO PROJECT CONSTRUCTION DOCUMENTS FOR ASPHALT PAVEMENT SECTION , SUBGRADE PREPARATION AND OTHER REQUIREMENTS.

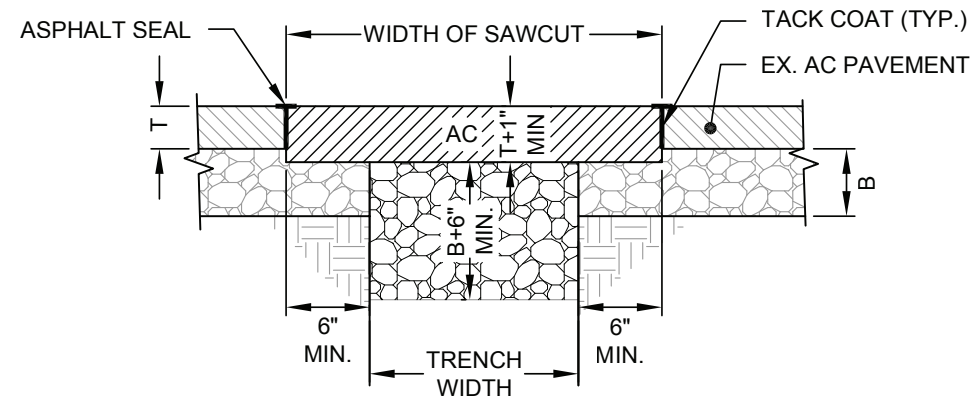


NOTE:

1. REFER TO PROJECT CONSTRUCTION DOCUMENTS FOR ASPHALT PAVEMENT SECTION , SUBGRADE PREPARATION AND OTHER REQUIREMENTS.

Rev. Date			SOLANO COMMUNITY COLLEGE DISTRICT STANDARD DETAILS	ASPHALT PAVEMENT CONFORM	
				DWG. NO. 130	January 2014

Rev. Date			SOLANO COMMUNITY COLLEGE DISTRICT STANDARD DETAILS	ASPHALT PAVEMENT EDGE DETAIL	
				DWG. NO. 135	January 2014

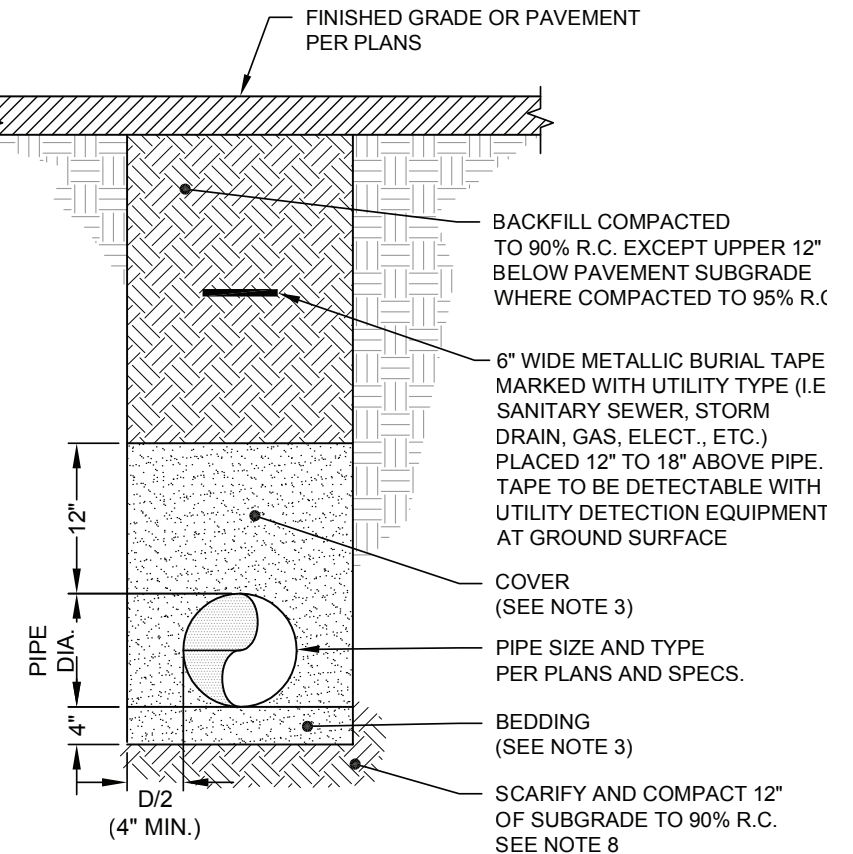



NOTES:



1. DURING EXCAVATION AND SUBGRADE PREPARATION, THE CONTRACTOR SHALL TAKE ALL NECESSARY STEPS TO ENSURE THE PROTECTION OF ALL IMPROVEMENTS, WHETHER PUBLIC OR PRIVATE, INCLUDING UTILITIES AND THEIR SERVICES FROM ANY DAMAGE THAT COULD OCCUR DUE TO CONTRACTORS CONSTRUCTION ACTIVITY.
2. IF NOT OTHERWISE SPECIFIED, TRENCH BACKFILL SHALL BE DENSIFIED TO A MINIMUM OF 90% R.C.
3. TEMPORARY PAVEMENT RESURFACING SHALL BE PLACED AT THE CONTRACTORS EXPENSE. IT SHALL BE PLACED LEVEL WITH THE EXISTING PAVEMENT ON COMPACTED TRENCH BACKFILL AND SHALL BE A MINIMUM OF 2" THICK.
4. PERMANENT PAVEMENT RESURFACING SHALL BE DONE WITHIN TWO (2) WEEKS AFTER BACKFILL OF TRENCHES HAS BEEN COMPLETED, ONLY AFTER SETTLEMENT HAS TAKEN PLACE AND THE FILL SURFACE HAS SUFFICIENTLY DRIED. ALL CUTS SHALL BE GROOMED CLEAN AND STRAIGHT.
5. CONTACT SURFACES OF EXISTING PAVEMENT MANHOLE FRAMES AND SHAFTS AND CONCRETE SURFACES SHALL HAVE A TACK COATING APPLIED BEFORE PERMANENT ASPHALT RESURFACING IS PLACED.
6. ASPHALT CONCRETE PAVEMENT SHALL BE AS SPECIFIED.

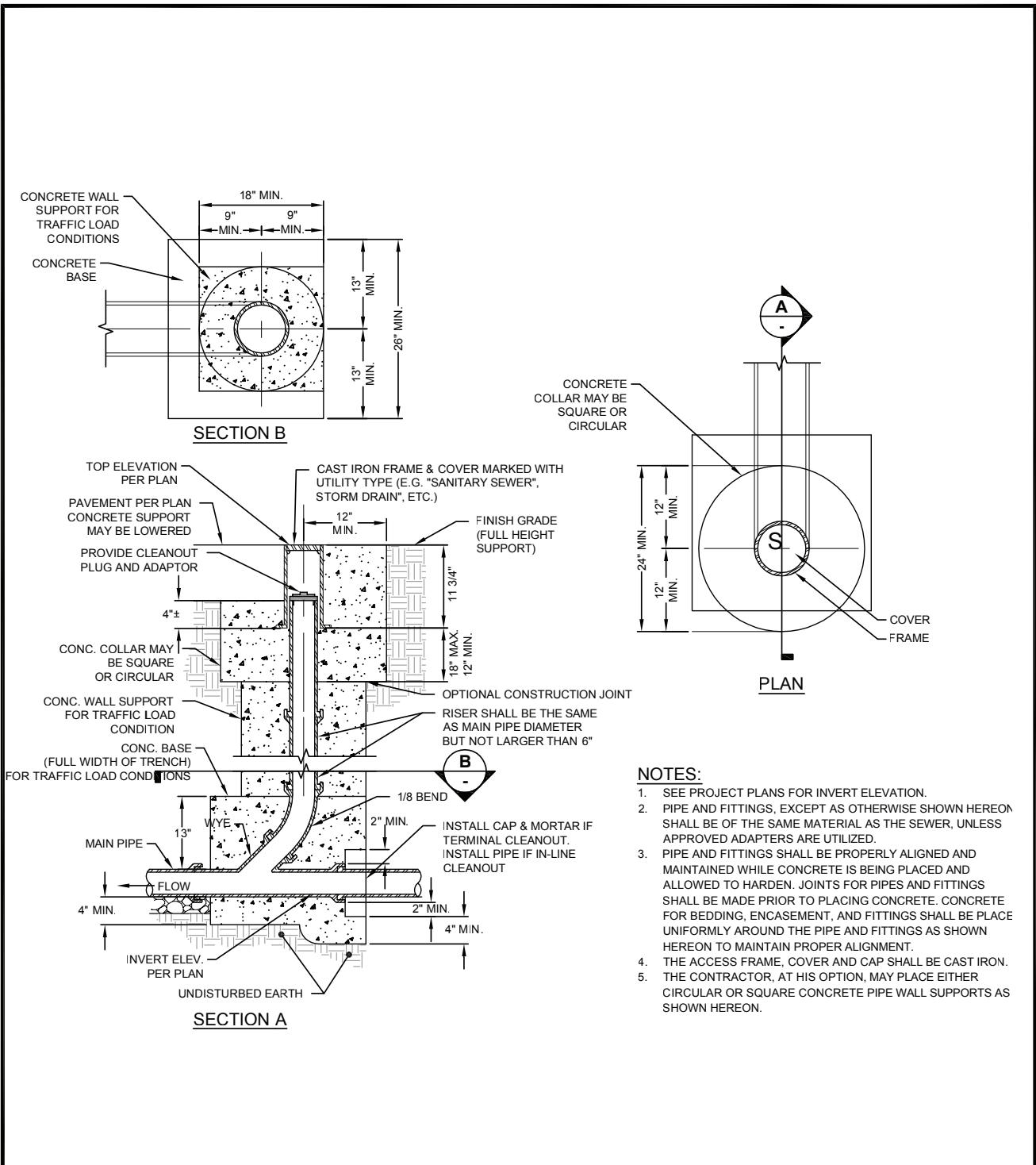
NOTES:

1. UTILITY TRENCH CONSTRUCTION SHALL CONFORM TO THE RECOMMENDATIONS OF THE GEOTECHNICAL REPORT.
2. EXCAVATE FOR BELLS OR HUBS SO FULL LOAD IS CARRIED BY PIPE BARRELS.
3. BEDDING AND COVER: SAND OR FINE GRAVEL WITH LESS THAN 10% FINES.
4. BEDDING SHALL BE PLACED IN A MANNER SUCH AS SLICING, SHOVEL-SPADING, OR SHOVEL RODDING TO ENSURE COMPLETE FILLING OF THE "HAUNCH AREAS" BELOW THE PIPE. JETTING IS NOT PERMITTED
5. SUBGRADE TO BE FREE OF PROTRUDING OBJECTS.
6. BACKFILL MAY BE NATIVE SOIL THAT MEETS THE CRITERIA FOR FILL AS DESCRIBED IN THE GEOTECHNICAL REPORT.
7. WHERE LESS THAN 18" BETWEEN BOTTOM OF PAVING SECTION (I.E. BOTTOM OF A.B.) AND TOP OF PIPE, BACKFILL TO BE CONTROLLED DENSITY FILL (CDF)
8. TRENCH SUBGRADE SHALL BE PREPARED IN ACCORDANCE WITH THE GEOTECHNICAL REPORT.

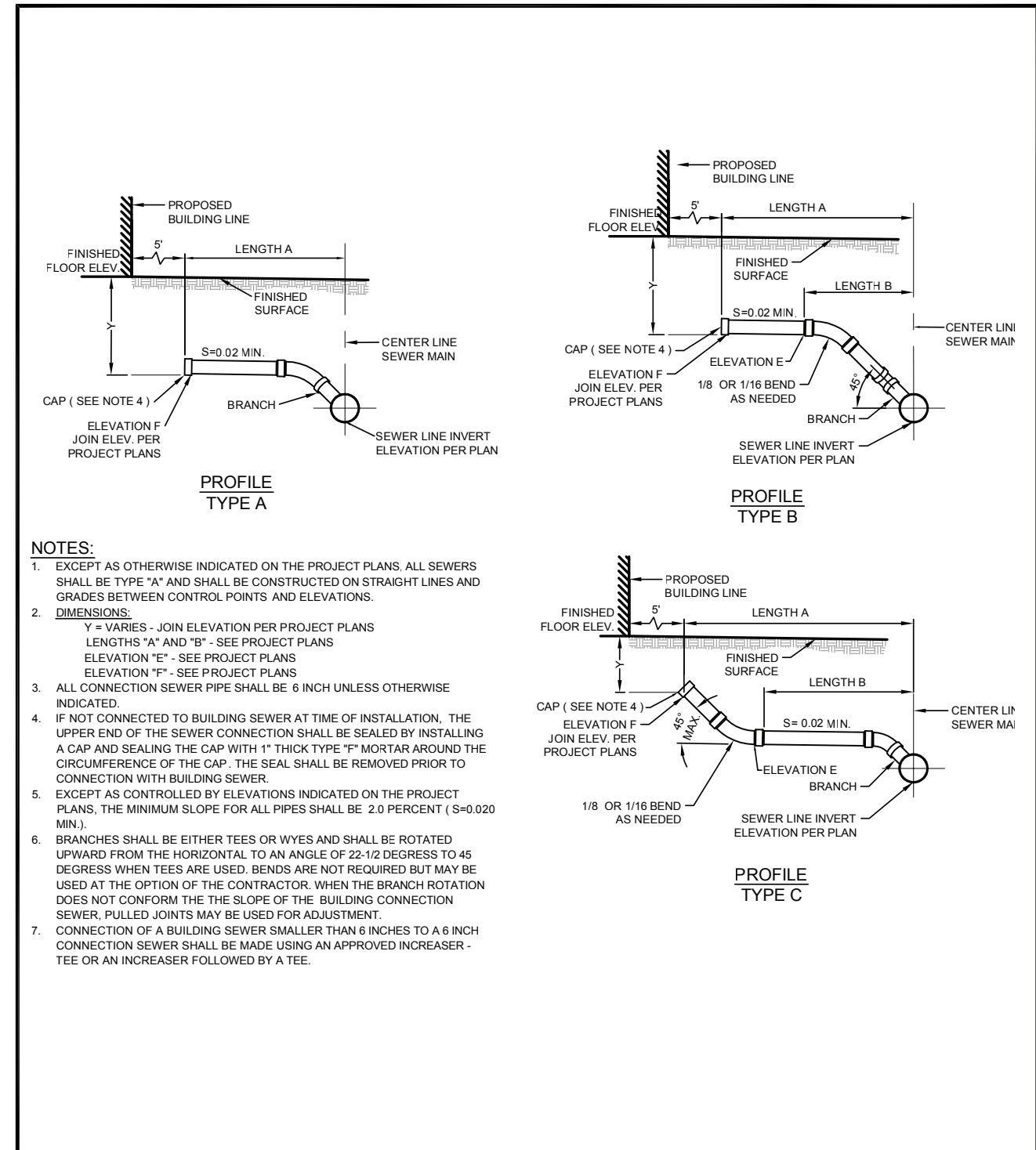


Rev.		Date		 SOLANO COMMUNITY COLLEGE	SOLANO COMMUNITY COLLEGE DISTRICT STANDARD DETAILS	ASPHALT PAVEMENT REPAIR at UTILITY TRENCH	
 ENGINEERING GROUP						DWG. NO. 140	January 2014


Rev.		Date		 SOLANO COMMUNITY COLLEGE	SOLANO COMMUNITY COLLEGE DISTRICT STANDARD DETAILS	UTILITY TRENCH	
 ENGINEERING GROUP						DWG. NO. 200	January 2014



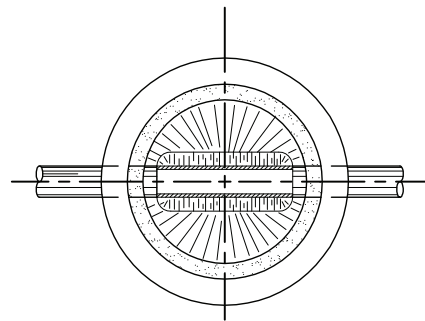
- NOTES:**
1. SEE PROJECT PLANS FOR INVERT ELEVATION.
 2. PIPE AND FITTINGS, EXCEPT AS OTHERWISE SHOWN HEREON SHALL BE OF THE SAME MATERIAL AS THE SEWER, UNLESS APPROVED ADAPTERS ARE UTILIZED.
 3. PIPE AND FITTINGS SHALL BE PROPERLY ALIGNED AND MAINTAINED WHILE CONCRETE IS BEING PLACED AND ALLOWED TO HARDEN. JOINTS FOR PIPES AND FITTINGS SHALL BE MADE PRIOR TO PLACING CONCRETE. CONCRETE FOR BEDDING, ENCASEMENT, AND FITTINGS SHALL BE PLACED UNIFORMLY AROUND THE PIPE AND FITTINGS AS SHOWN HEREON TO MAINTAIN PROPER ALIGNMENT.
 4. THE ACCESS FRAME, COVER AND CAP SHALL BE CAST IRON.
 5. THE CONTRACTOR, AT HIS OPTION, MAY PLACE EITHER CIRCULAR OR SQUARE CONCRETE PIPE WALL SUPPORTS AS SHOWN HEREON.



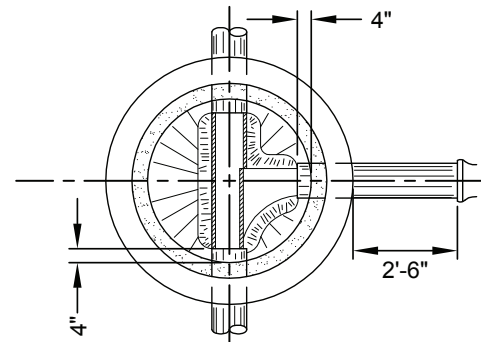
- NOTES:**
1. EXCEPT AS OTHERWISE INDICATED ON THE PROJECT PLANS, ALL SEWERS SHALL BE TYPE "A" AND SHALL BE CONSTRUCTED ON STRAIGHT LINES AND GRADES BETWEEN CONTROL POINTS AND ELEVATIONS.
 2. **DIMENSIONS:**
Y = VARIES - JOIN ELEVATION PER PROJECT PLANS
LENGTHS "A" AND "B" - SEE PROJECT PLANS
ELEVATION "E" - SEE PROJECT PLANS
ELEVATION "F" - SEE PROJECT PLANS
 3. ALL CONNECTION SEWER PIPE SHALL BE 6 INCH UNLESS OTHERWISE INDICATED.
 4. IF NOT CONNECTED TO BUILDING SEWER AT TIME OF INSTALLATION, THE UPPER END OF THE SEWER CONNECTION SHALL BE SEALED BY INSTALLING A CAP AND SEALING THE CAP WITH 1" THICK TYPE "F" MORTAR AROUND THE CIRCUMFERENCE OF THE CAP. THE SEAL SHALL BE REMOVED PRIOR TO CONNECTION WITH BUILDING SEWER.
 5. EXCEPT AS CONTROLLED BY ELEVATIONS INDICATED ON THE PROJECT PLANS, THE MINIMUM SLOPE FOR ALL PIPES SHALL BE 2.0 PERCENT (S=0.020 MIN.).
 6. BRANCHES SHALL BE EITHER TEES OR WYES AND SHALL BE ROTATED UPWARD FROM THE HORIZONTAL TO AN ANGLE OF 22-1/2 DEGREES TO 45 DEGREES WHEN TEES ARE USED. BENDS ARE NOT REQUIRED BUT MAY BE USED AT THE OPTION OF THE CONTRACTOR. WHEN THE BRANCH ROTATION DOES NOT CONFORM TO THE SLOPE OF THE BUILDING CONNECTION SEWER, PULLED JOINTS MAY BE USED FOR ADJUSTMENT.
 7. CONNECTION OF A BUILDING SEWER SMALLER THAN 6 INCHES TO A 6 INCH CONNECTION SEWER SHALL BE MADE USING AN APPROVED INCREASER - TEE OR AN INCREASER FOLLOWED BY A TEE.

Rev. Date		 SOLANO COMMUNITY COLLEGE	SOLANO COMMUNITY COLLEGE DISTRICT		SEWER CLEANOUT	
CSW ST2 ENGINEERING GROUP			STANDARD DETAILS		DWG. NO. 205	January 2014

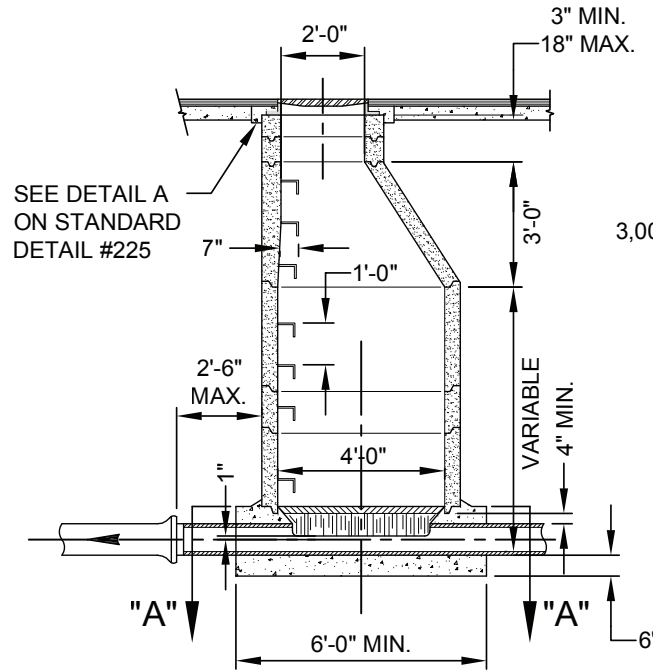
Rev. Date		 SOLANO COMMUNITY COLLEGE	SOLANO COMMUNITY COLLEGE DISTRICT		SEWER SERVICE	
CSW ST2 ENGINEERING GROUP			STANDARD DETAILS		DWG. NO. 210	January 2014



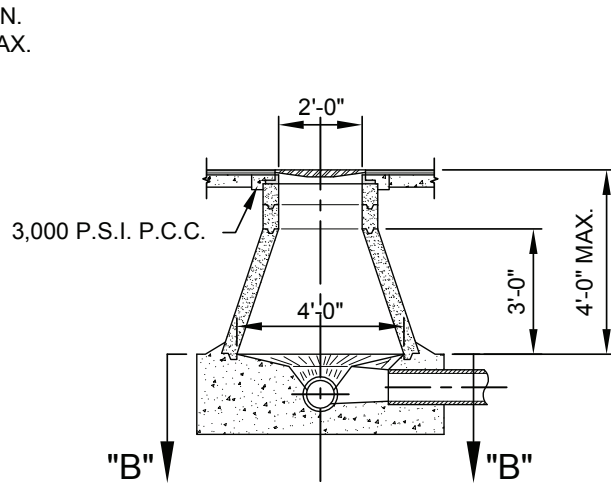
SECTION "A-A"



SECTION "B-B"



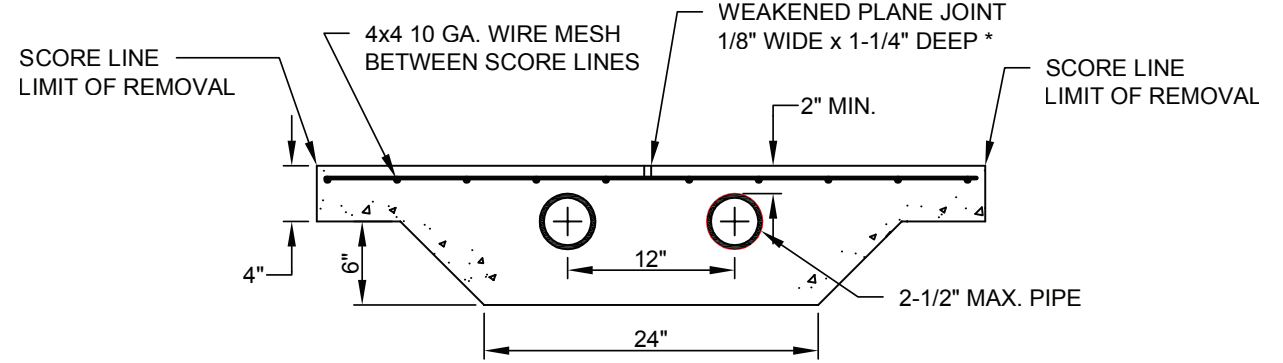
SEWER MANHOLE



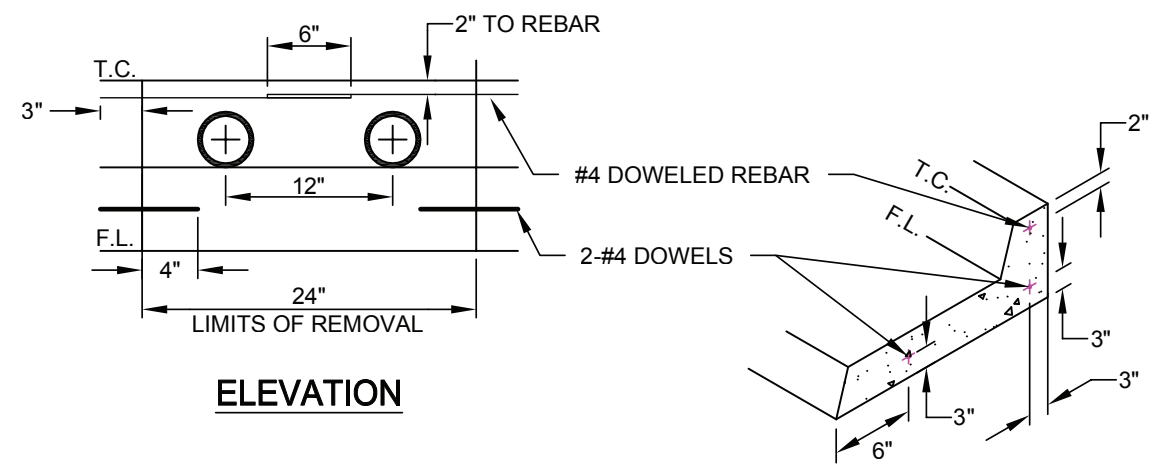
SHALLOW SEWER MANHOLE

NOTES:

1. MANHOLE FRAME AND COVER SHALL BE PINKERTON A-640, D & LA-1024 OR APPROVED EQUAL MARKED "SANITARY SEWER".
2. POURED CONCRETE BASE SHALL BE 4,000 PSI OR APPROVED PRECAST BASE.
3. ALL JOINTS SHALL BE SEALED WITH APPROVED FLEXIBLE JOINT SEALANT.
4. PLACE STEPS ON DOWNSTREAM SIDE OF MANHOLE.
5. LATERALS INTO MANHOLES SHALL HAVE A JOINT AT 2'-6" FROM OUTSIDE WALL.



SIDE WALKS




ELEVATION

CURB & GUTTER

NOTES:

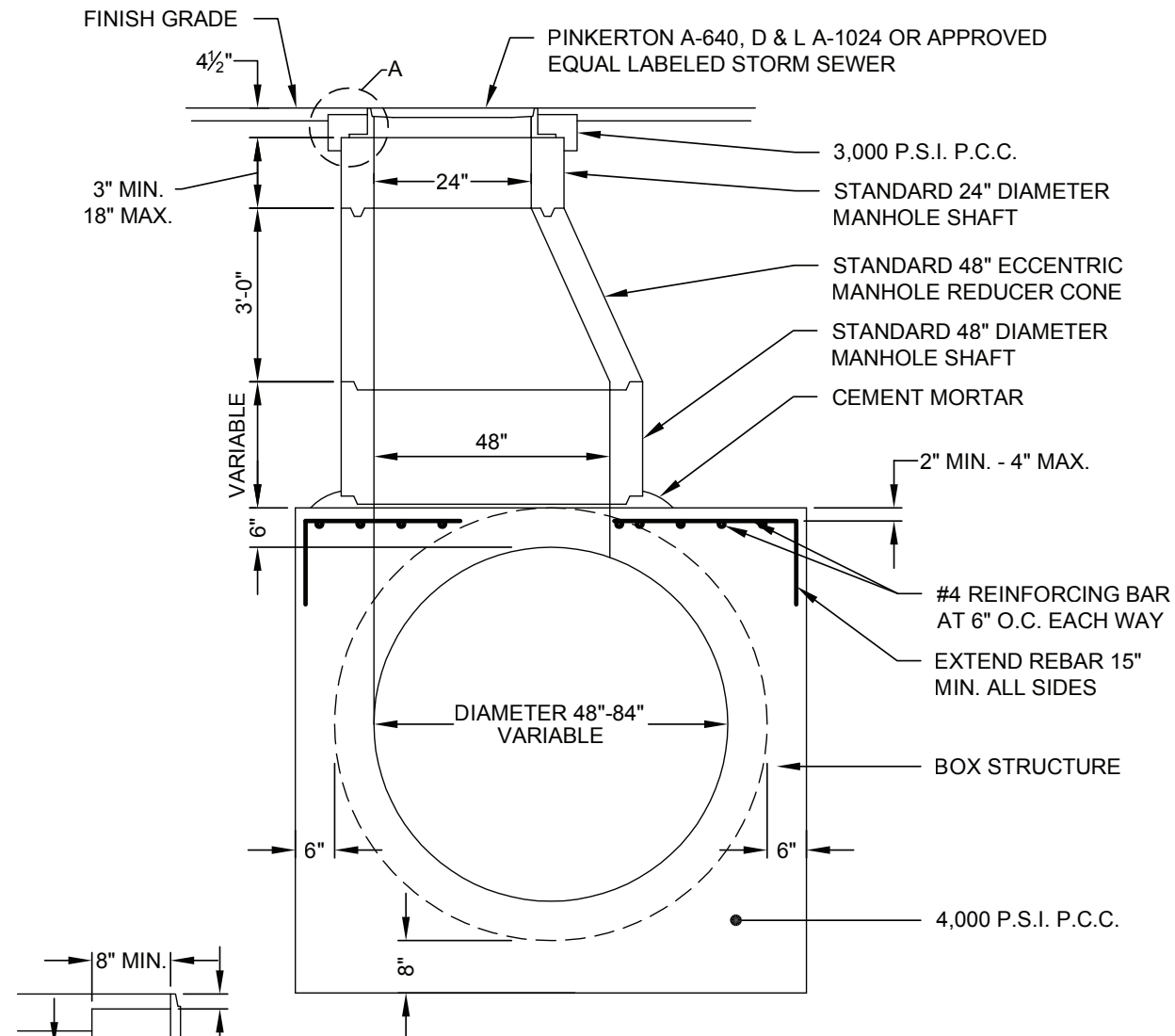
1. OWNER SHALL BE RESPONSIBLE FOR CLEANING AND MAINTAINING PIPE.
2. MINIMUM CROSS-SLOPE TO BE 1% FOR DRAIN PIPE.
3. PLACE 4X4 WIRE MESH FULL LENGTH 24" ON EACH SIDE OF PIPE.
4. UNDER SIDEWALK DRAINS TO BE USED ONLY BY APPROVAL OF CITY ENGINEER WHERE A STORM DRAIN DOSE NOT EXIST, OR EXTENSION OF AN EXISTING STORM DRAIN IS IMPRACTICAL.

* WEAKENED PLANE JOINT TO BE LOCATED MIDWAY BETWEEN OUTSIDE PIPES.

Rev. Date		SOLANO COMMUNITY COLLEGE DISTRICT		SEWER MANHOLE	
		STANDARD DETAILS		DWG. NO. 215	January 2014

Rev. Date		SOLANO COMMUNITY COLLEGE DISTRICT		COMMERCIAL MULTIPLE UNDER SIDEWALK DRAINS	
		STANDARD DETAILS		DWG. NO. 220	January 2014

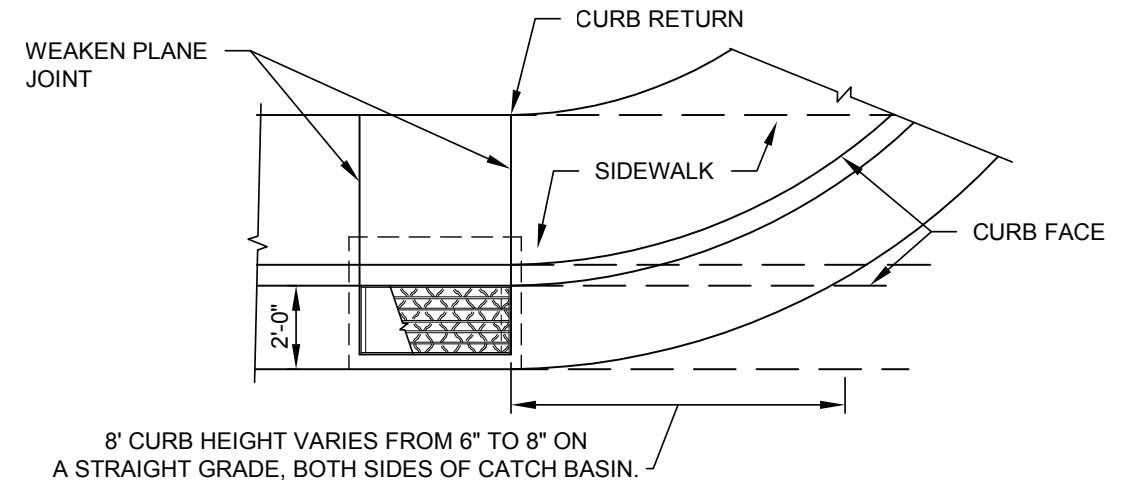
STORM DRAIN MANHOLE (CAST-IN-PLACE PIPE)



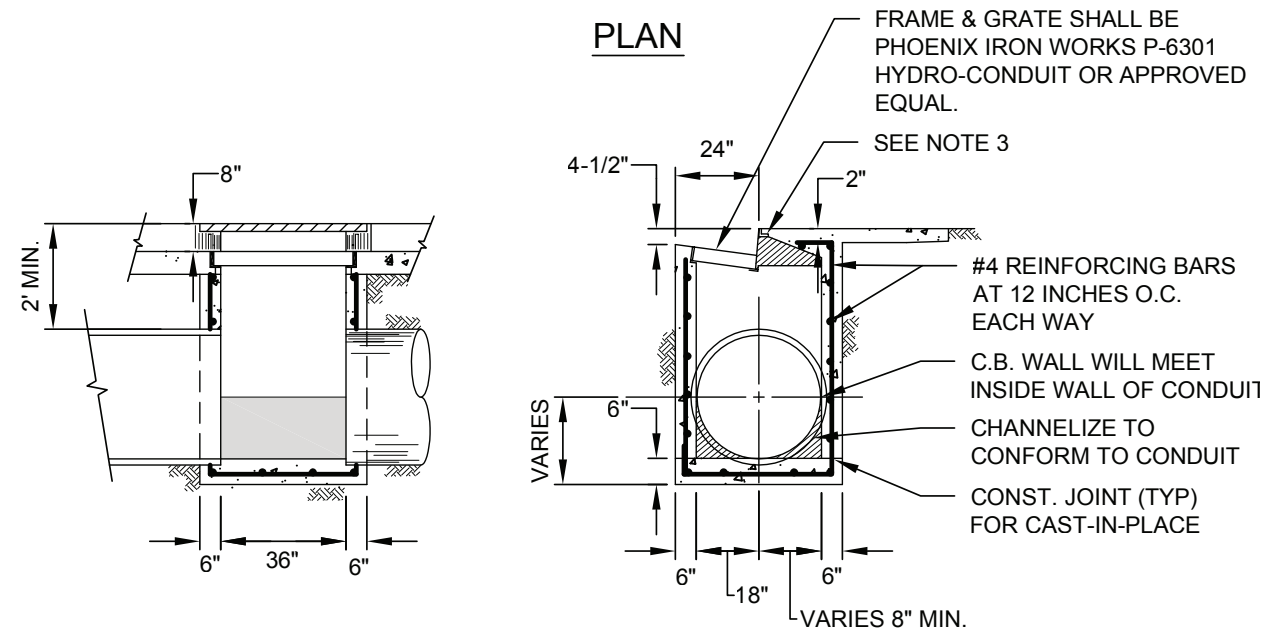
DETAIL A

NOTES:

1. FOR STORM DRAIN LESS THAN 4 FT. DIAMETER OR LESS THAN 4 FT. BELOW STREET GRADE, SEE SEWER MANHOLE DETAIL.
2. CONSTRUCT MANHOLE WITHOUT DROP STEPS.
3. GROUT ALL JOINTS.




PLAN




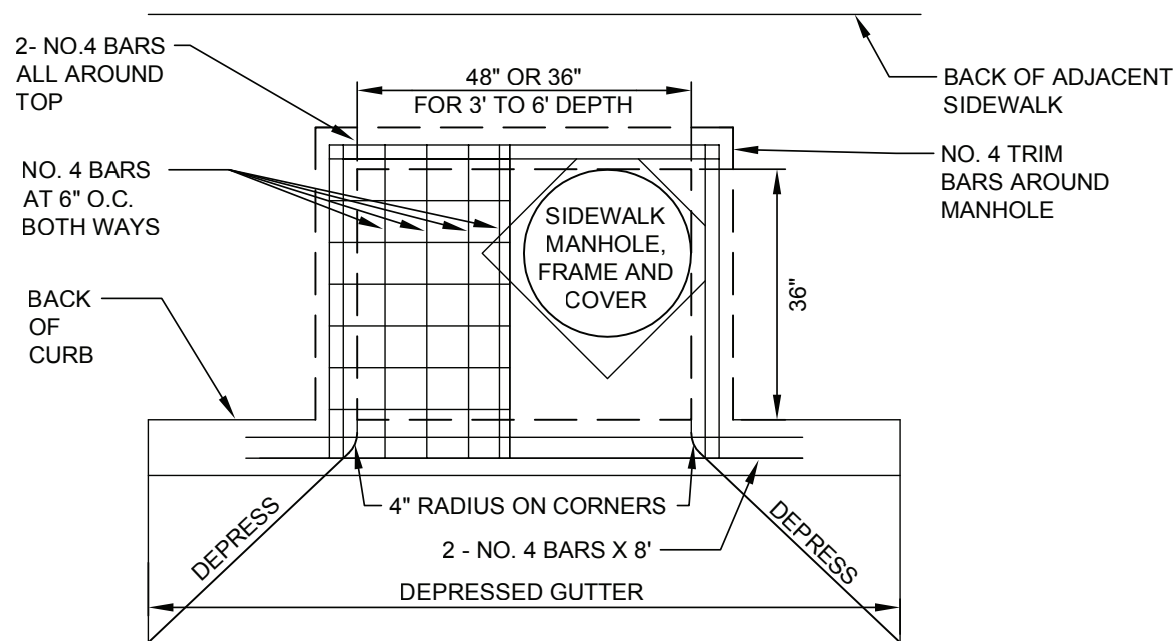
CROSS SECTIONAL VIEWS

NOTES:

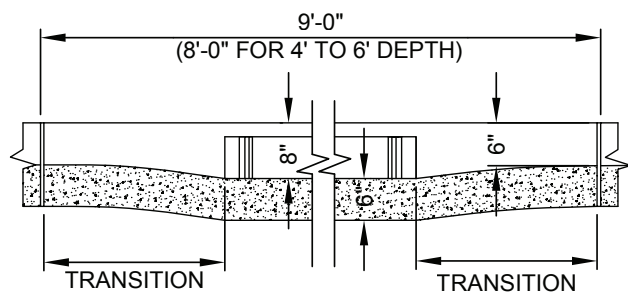
1. CONCRETE FOR STRUCTURE SHALL HAVE A MINIMUM 28 DAY COMPRESSIVE STRENGTH OF 3,000 P.S.I.
2. ALL STRUCTURES SHALL BE GROUTED AND SACKED.
3. NOSING SHALL BE 2 1/2"X2 1/2"X1/4"X4" GALVANIZED ANGLE WITH THREE 6" TIE BARS.
4. FOR STORM DRAIN PIPES LARGER THAN 36", USE STORM DRAIN MANHOLE DETAIL FOR BOX STRUCTURE.

Rev. Date		 <p>SOLANO COMMUNITY COLLEGE DISTRICT STANDARD DETAILS</p>	STORM DRAIN MANHOLE	
CSW ST2 ENGINEERING GROUP			DWG. NO. 225	January 2014

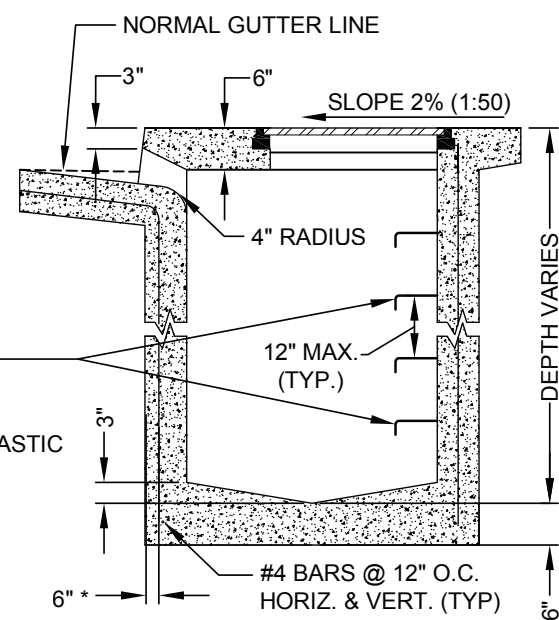
Rev. Date		 <p>SOLANO COMMUNITY COLLEGE DISTRICT STANDARD DETAILS</p>	CATCH BASIN TYPE 1	
CSW ST2 ENGINEERING GROUP			DWG. NO. 230	January 2014



PLAN



GUTTER ELEVATION



SECTION



NOTES:



1. SEE STANDARD DETAIL #240 FOR GENERAL NOTES.
 2. TOP SHALL BE CAST IN PLACE.
 3. ADJACENT SIDEWALK SHALL BE POURED MONOLITHIC WITH TOP.
- * 8" WALL FOR DEPTHS GREATER THAN 8'

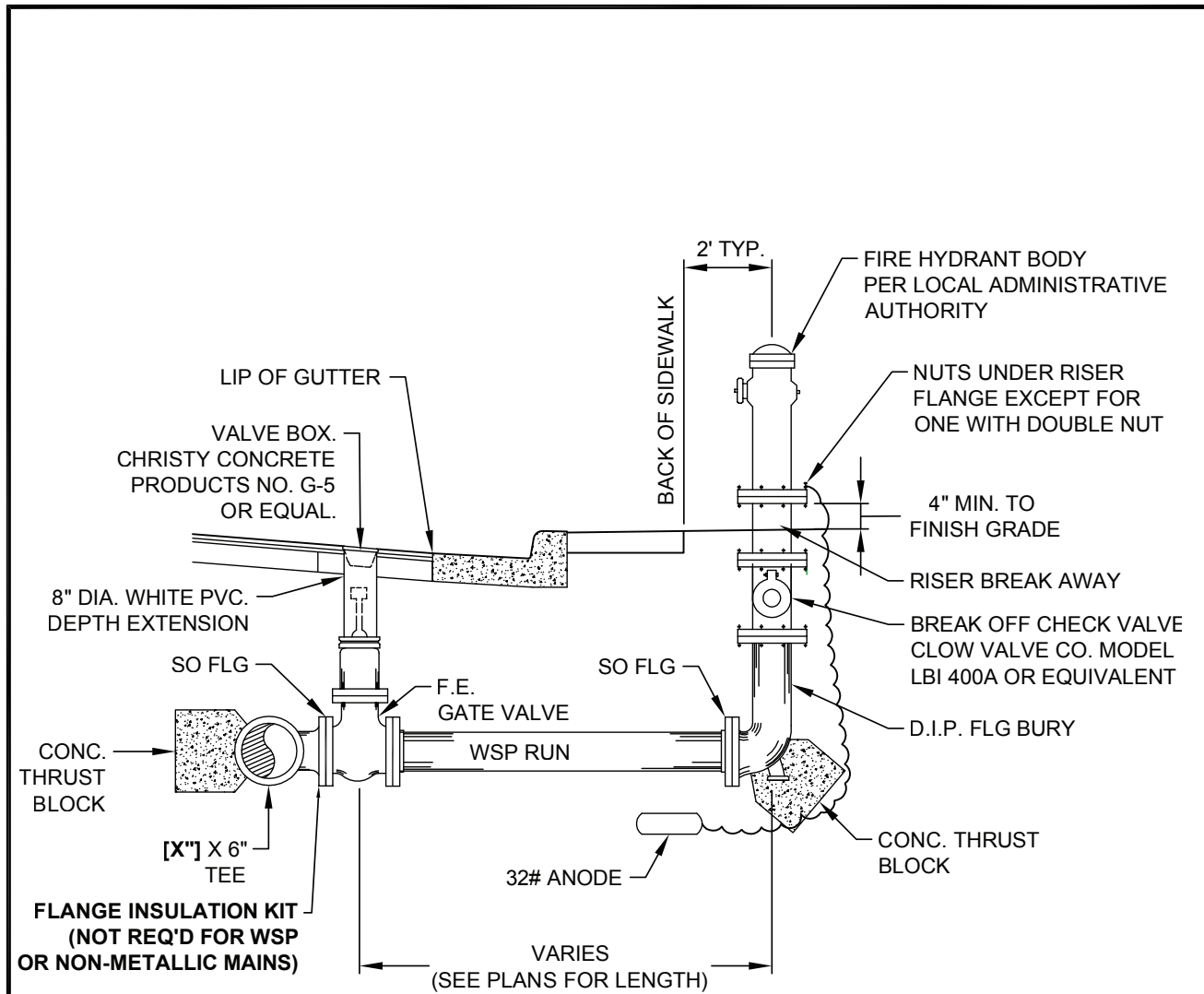
NOTES:

1. CONCRETE SHALL BE CLASS "A" (6 SACK MIX) UNLESS OTHERWISE NOTED. STRUCTURE TOPS CAST WITH ADJACENT CURB/SIDEWALK MAY BE CLASS "B" CONCRETE.
2. BASE SHALL BE PLACED AGAINST UNDISTURBED EARTH, SIDES MAY BE FORMED OR PLACED AGAINST UNDISTURBED EARTH.
3. WHERE CONDUITS ARE ENCOUNTERED THAT ARE LARGER IN DIAMETER THAN THE WIDTH OF THE WALL THROUGH WHICH THEY PASS, THE INSIDE DIMENSION OF THE WALLS PERPENDICULAR TO THE DIRECTION OF THE PIPE SHALL BE INCREASED TO 12" WIDER THAN THE OUTSIDE DIAMETER OF THE PIPE.
4. EXPANSION JOINTS SHALL BE PLACED THROUGH CURB AND SIDEWALK AT BOTH SIDES OF CATCH BASINS AND SHALL BE LIMIT OF PAYMENT FOR CURB AND GUTTER. UNIT PRICES FOR DRAINAGE STRUCTURES SHALL INCLUDE CURB, GUTTER AND SIDEWALK POURED WITH DRAINAGE STRUCTURE.
5. NO CONCRETE SHALL BE PLACED PRIOR TO FORM AND STEEL APPROVAL BY THE AGENCY ENGINEER.
6. WALL THICKNESS, REINFORCING, AND STEP (AS REQUIRED BY AGENCY ENGINEER) REQUIREMENTS SHALL BE IN ACCORDANCE WITH THE TABLE BELOW, UNLESS OTHERWISE INDICATED BY THE PROJECT PLANS OR DIRECTED BY THE AGENCY ENGINEER.
7. PLACE 2" WEEPHOLES AS REQUIRED BY THE AGENCY ENGINEER.
8. EQUIVALENT PRECAST STRUCTURES MAY BE SUBSTITUTED AS APPROVED BY THE AGENCY ENGINEER.
9. WALL THICKNESS SHALL NOT EXCEED 10" ON ANY STRUCTURE.
10. PRECAST INLETS AND MANHOLES SHALL HAVE A MINIMUM COMPRESSIVE STRENGTH OF 4000 PSI AT 28 DAYS AND BE DESIGNED TO WITHSTAND H-20 LOADING.
11. PROVIDE FOR SECURITY FASTENERS FOR MANHOLE COVER.

DEPTH	WALL THICKNESS (SEE NOTE #11)	WALL REINFORCEMENT	STEPS REQUIRED
LESS THAN 3'	6"	NO. 4 AT 12" BOTH WAYS	NO
LESS THAN 3'	8"	NONE OUTSIDE ROADWAY. NO. 4 AT 12" BOTH WAYS WITHIN OR ADJACENT TO ROAD.	NO
3' TO 8'	6"	NO. 4 AT 12" BOTH WAYS	AS REQUIRED BY THE AGENCY ENGINEER
OVER 8'	8"	NO. 4 AT 12" BOTH WAYS	AS REQUIRED BY THE AGENCY ENGINEER


		SOLANO COMMUNITY COLLEGE DISTRICT STANDARD DETAILS		CATCH BASIN TYPE 2	
Rev.	Date			DWG. NO. 235	January 2014

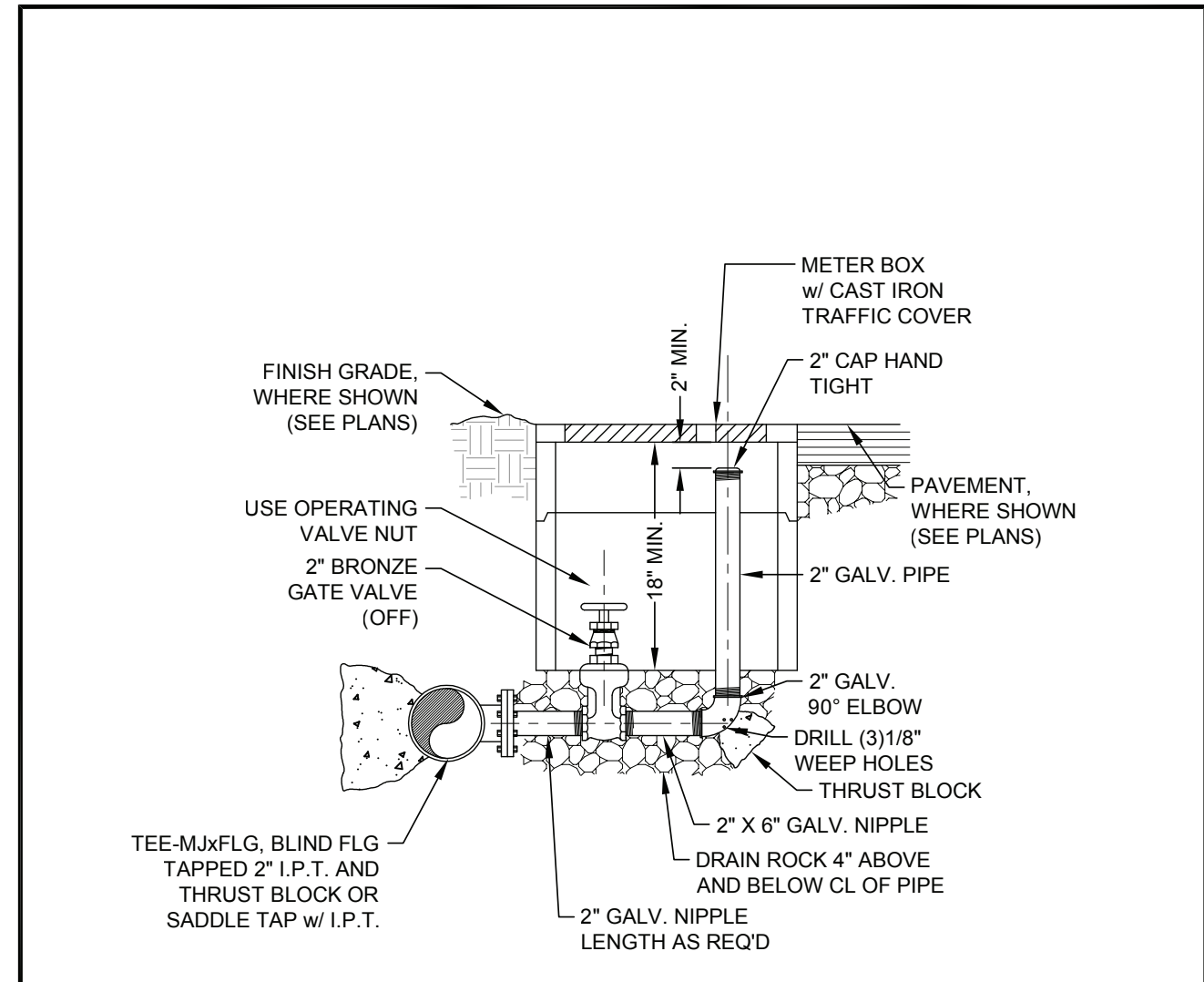
		SOLANO COMMUNITY COLLEGE DISTRICT STANDARD DETAILS		CATCH BASIN TYPE 2 NOTES	
Rev.	Date			DWG. NO. 240	January 2014



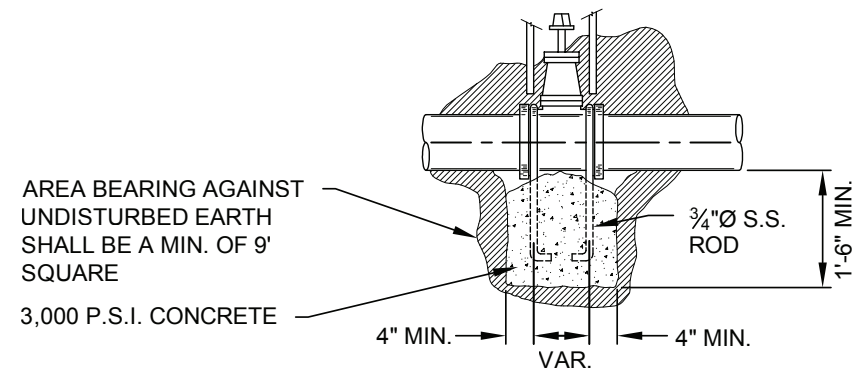
NOTES:

1. HYDRANT LOCATION IN RELATION TO THE CURB AND SIDEWALK MUST BE DETERMINED BY THE CONTROLLING FIRE MARSHALL.
2. PRIME AND WRAP ALL BARE METAL INCLUDING HYDRANT BURY AND RISER UP TO BOTTOM OF HYDRANT FLANGES.
3. FIRE HYDRANT SHALL BE INSTALLED PER LOCAL FIRE DEPARTMENT REQUIREMENTS.

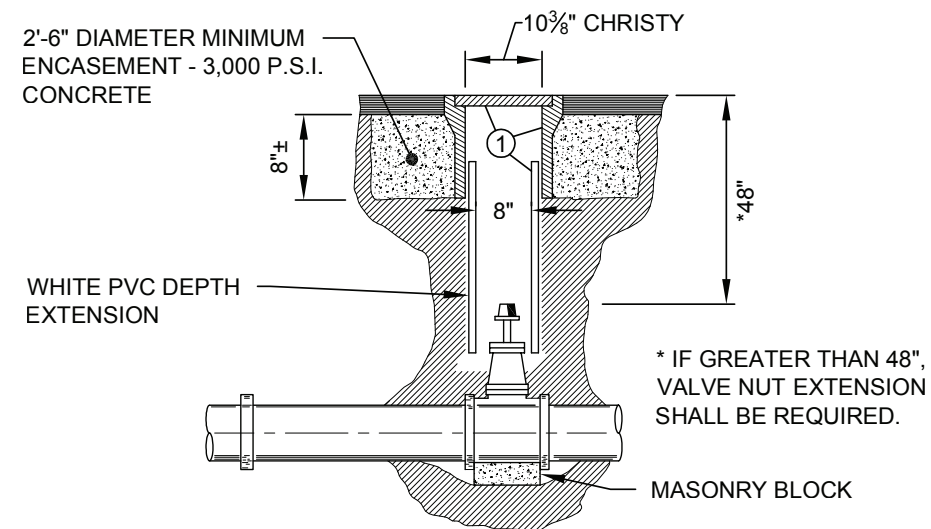
Rev. Date			SOLANO COMMUNITY COLLEGE DISTRICT		FIRE HYDRANT	
CSW ST2 ENGINEERING GROUP			STANDARD DETAILS		DWG. NO. 300	January 2014



Rev. Date			SOLANO COMMUNITY COLLEGE DISTRICT		BLOW OFF	
CSW ST2 ENGINEERING GROUP			STANDARD DETAILS		DWG. NO. 305	January 2014



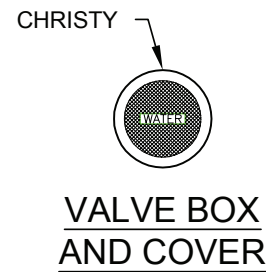
**TYPICAL SECTION
GREATER THAN 12" VALVE**



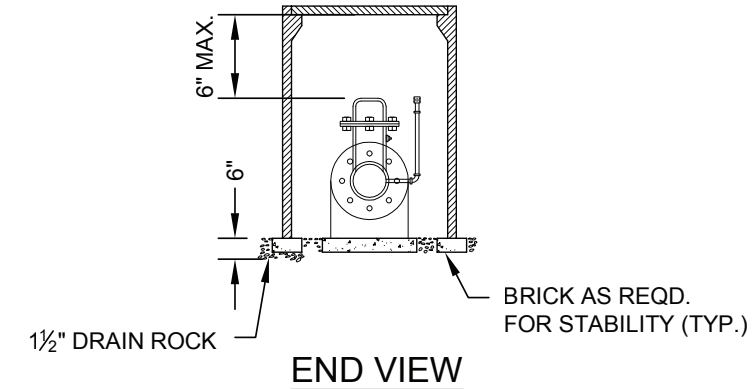
**TYPICAL SECTION
12" VALVE AND SMALLER**

NOTES:

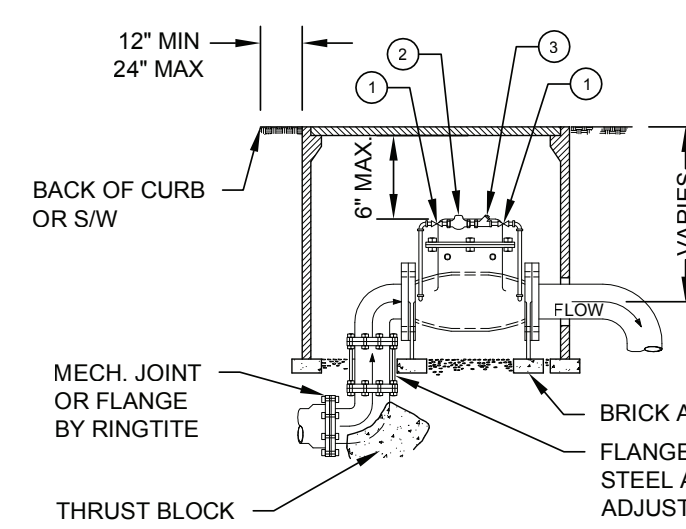
1. VALVE BOX AND COVER SHALL BE CHRISTY CONCRETE PRODUCTS NO. G-5 OR EQUAL, WITH DEPTH EXTENSIONS AS REQUIRED.
2. ALL VALVES SHALL HAVE FLANGED CONNECTIONS AT ALL TEES AND CROSSES.
3. ALL VALVES SHALL BE SEPARATED FROM JOINTS WITH A 3' TO 6' SECTION OF PIPE.
4. VALVE SHALL BE RESILIENT SEAT GATE (12" OR LESS) OR BUTTERFLY (GREATER THAN 12") PER CITY SPECIFICATION.



Rev.	Date		SOLANO COMMUNITY COLLEGE DISTRICT STANDARD DETAILS	VALVE INSTALLATION	
				DWG. NO. 310	January 2014



END VIEW



KEYNOTES

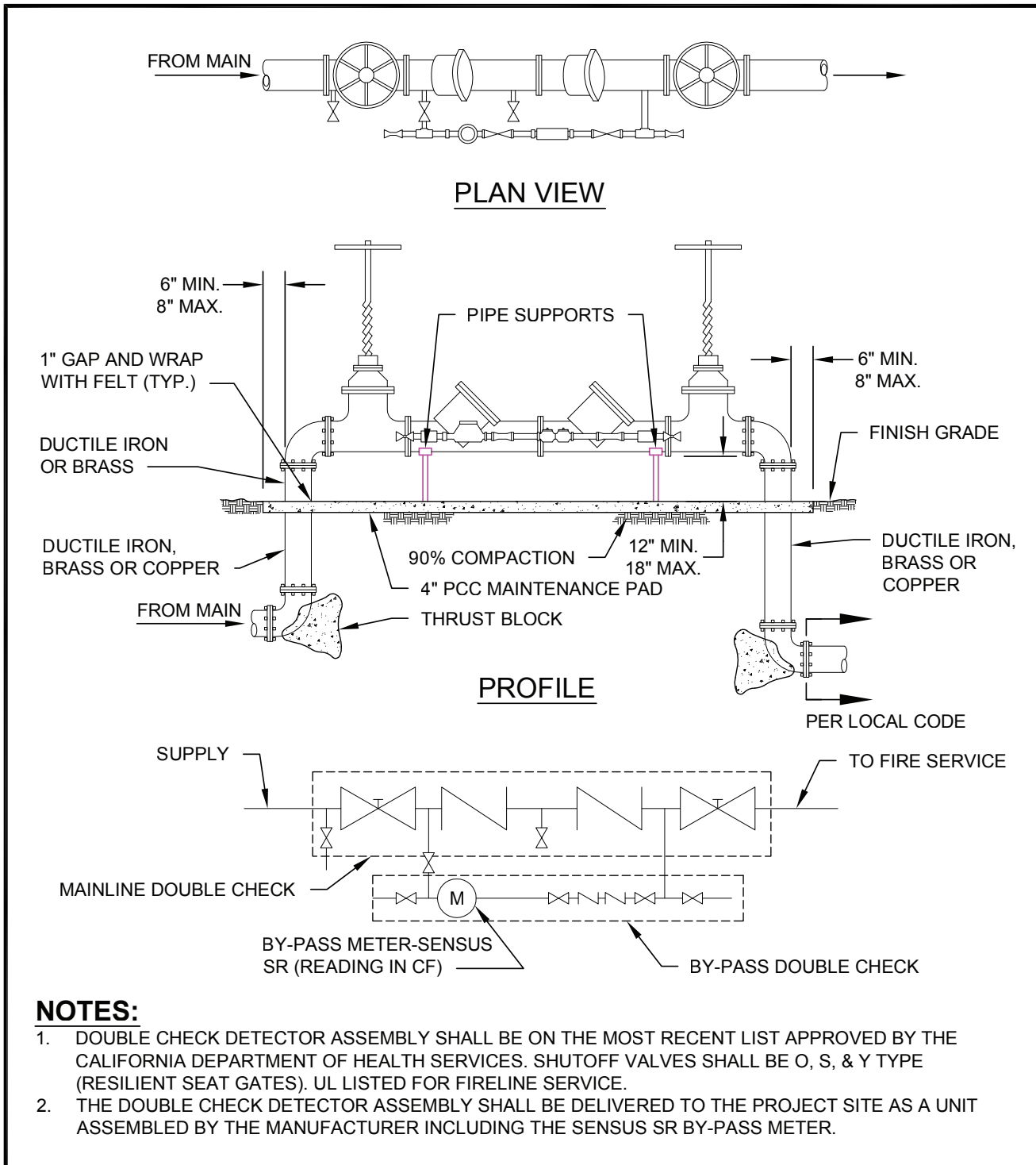
- ① THREADED CURB STOP VALVE
- ② ROCKWELL METER
- ③ FORD HS-11 CHECK VALVE TO MATCH METER SIZE OR EQUAL.




DETECTOR CHECK UNIT

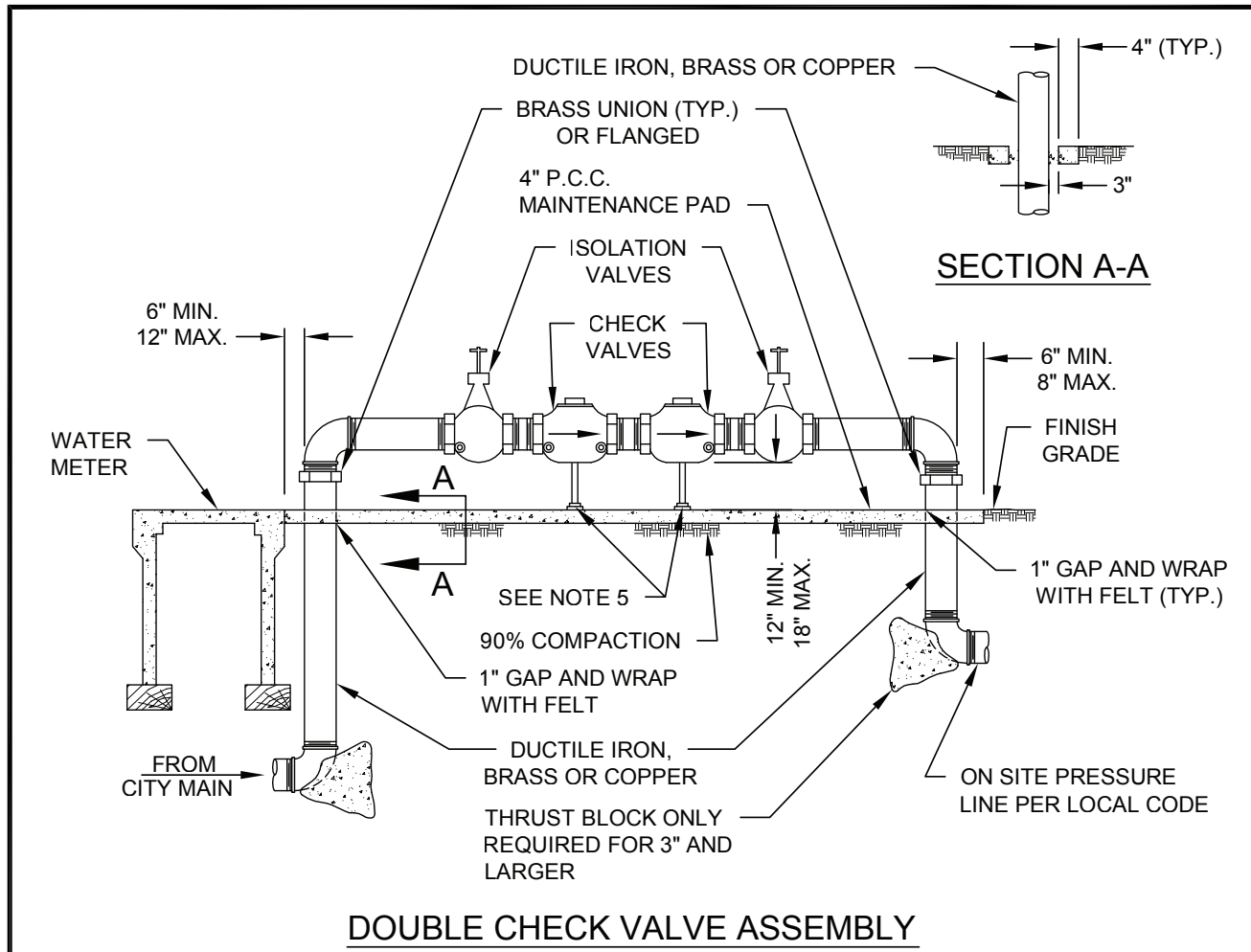
NOTES:

1. BYPASS METER SHALL BE A SENSUS. FOR 4" AND 6" VALVES USE 3/4" SR METER. FOR 8" VALVES USE 1" SR METER FOR 10" VALVES USE 1-1/2" SR METER. METERS SHALL READ IN CUBIC FEET.
2. VAULT BOX TO BE APPROVED BY THE CITY ENGINEER.
3. DETECTOR CHECK VALVE SHALL HAVE AN INTEGRAL BY-PASS AND WEIGHTED CLAPPER AND BELL & FM LISTED.
4. READING LID TO BE INSTALLED OVER METER.
5. FIRE SERVICE LINE MATERIALS AND INSTALLATION FROM THE WATER MAIN SHALL CONFORM TO STANDARD DETAIL FOR 3" AND LARGER WATER SERVICE INSTALLATION.
6. DETECTOR CHECK VALVE EXTERIOR FINISH SHALL BE HOT DIPPED GALVANIZED OR PAINTED RED.
7. ALL PIPES AND FITTINGS FROM MECHANICAL JOINT TO DETECTOR CHECK SHALL BE DUCTILE IRON. BYPASS SHALL BE COPPER OR BRASS.



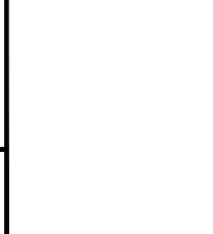
Rev.	Date		SOLANO COMMUNITY COLLEGE DISTRICT STANDARD DETAILS	DETECTOR CHECK VALVE	
				DWG. NO. 315	January 2014

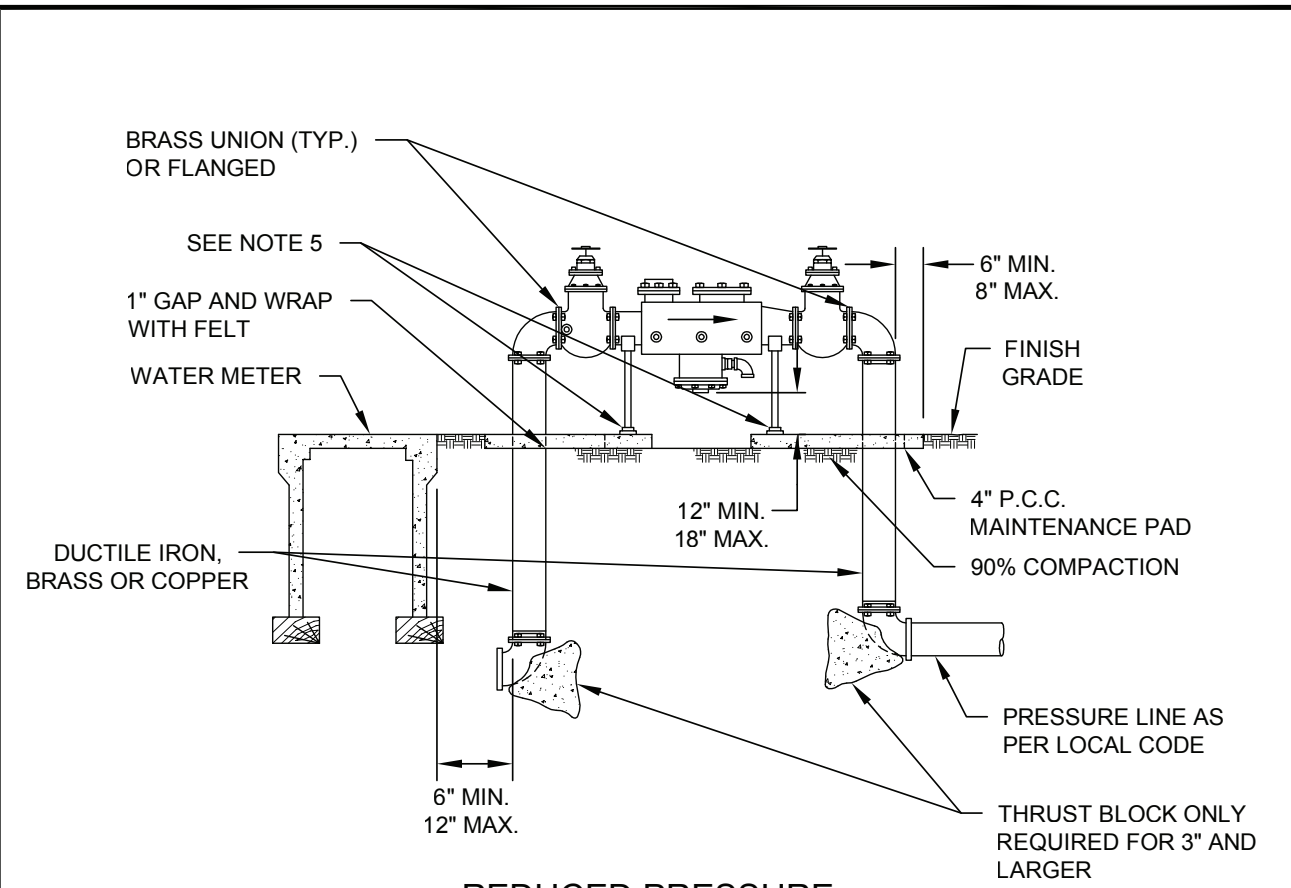


		SOLANO COMMUNITY COLLEGE DISTRICT STANDARD DETAILS		DOUBLE CHECK DETECTOR ASSEMBLY DWG. NO. 320 January 2014	
Rev.	Date				



- NOTES:**
1. ALL DOUBLE CHECK VALVE ASSEMBLIES AND REDUCED PRESSURE BACKFLOW PREVENTION DEVICES SHALL BE ON THE MOST RECENT LIST OF APPROVED BACKFLOW PREVENTION DEVICES AS PUBLISHED BY THE CALIFORNIA DEPARTMENT OF HEALTH SERVICES. VALVE ASSEMBLY SHALL BE DELIVERED TO THE PROJECT SITE AS A UNIT ASSEMBLED BY THE MANUFACTURER.
 2. CITY MAY REQUIRE TWO BACKFLOW PREVENTION DEVICES ON DOMESTIC SERVICE, WITH ONE TO SERVE AS A BYPASS FOR TESTING PURPOSES, IF WATER SERVICE CAN NOT BE SHUT OFF FOR MAINTENANCE OR IF TOXIC CHEMICALS ARE INVOLVED.
 3. BACKFLOW PREVENTION DEVICES SHALL BE ONLY REDUCED PRESSURE TYPES FOR ALL LANDSCAPE IRRIGATION APPLICATIONS.
 4. COPPER CONNECTIONS SHALL BE COMPRESSION FITTINGS OR SILVER SOLDER (MINIMUM 15% SILVER CONTENT). ALL COPPER SHALL BE RIGID TYPE K.
 5. PIPE SUPPORTS SHOULD BE USED IF THE PIPE IS 3" OR LARGER.
 6. THE DIAGRAMS DEPICT DOUBLE CHECK/REDUCED PRESSURE ASSEMBLIES LARGER THAN 1 INCH. COMPONENTS SHOWN ARE FOR INFORMATION ONLY.

		SOLANO COMMUNITY COLLEGE DISTRICT STANDARD DETAILS		DOUBLE CHECK VALVE DWG. NO. 325 January 2014	
Rev.	Date				



**REDUCED PRESSURE
BACKFLOW PREVENTION DEVICE**

NOTES:

1. ALL DOUBLE CHECK VALVE ASSEMBLIES AND REDUCED PRESSURE BACKFLOW PREVENTION DEVICES SHALL BE ON THE MOST RECENT LIST OF APPROVED BACKFLOW PREVENTION DEVICES AS PUBLISHED BY THE CALIFORNIA DEPARTMENT OF HEALTH SERVICES. VALVE ASSEMBLY SHALL BE DELIVERED TO THE PROJECT SITE AS A UNIT ASSEMBLED BY THE MANUFACTURER.
2. CITY MAY REQUIRE TWO BACKFLOW PREVENTION DEVICES ON DOMESTIC SERVICE, WITH ONE TO SERVE AS A BYPASS FOR TESTING PURPOSES, IF WATER SERVICE CAN NOT BE SHUT OFF FOR MAINTENANCE OR IF TOXIC CHEMICALS ARE INVOLVED.
3. BACKFLOW PREVENTION DEVICES SHALL BE ONLY REDUCED PRESSURE TYPES FOR ALL LANDSCAPE IRRIGATION APPLICATIONS.
4. COPPER CONNECTIONS SHALL BE COMPRESSION FITTINGS OR SILVER SOLDER (MINIMUM 15% SILVER CONTENT). ALL COPPER SHALL BE RIGID TYPE K.
5. PIPE SUPPORTS SHOULD BE USED IF THE PIPE IS 3" OR LARGER.
6. THE DIAGRAMS DEPICT DOUBLE CHECK/REDUCED PRESSURE ASSEMBLIES LARGER THAN 1 INCH. COMPONENTS SHOWN ARE FOR INFORMATION ONLY.

		 SOLANO COMMUNITY COLLEGE	SOLANO COMMUNITY COLLEGE DISTRICT	REDUCED PRESSURE BACKFLOW DEVICES	
Rev.	Date		STANDARD DETAILS	DWG. NO. 330	January 2014
 ENGINEERING GROUP					

**REQUIRED BEARING AREA
TOTAL SQUARE FEET**

FITTING TYPE	45° BEND	90° BEND	22-1/2° BEND	TEE OR DEAD END	TEE W/ PLUG	CROSS W/PLUG
TYPICAL INSTALLATION						
PIPE SIZE	4"	2	1	2	2	2
	6"	4	1	3	4	4
	8"	8	3	6	8	8
	10"	14	4	10	14	14
	12"	18	6	14	18	18
	16"	34	10	23	34	34
24"	83	23	59	83	83	




NOTES:

1. THRUST BLOCKS TO BE CONSTRUCTED OF 3000 PSI CONCRETE.
2. BLOCKS TO BE POURED AGAINST UNDISTURBED SOIL.
3. THRUST BLOCKS SHALL HAVE CONTACT WITH FITTINGS ONLY AND REMAIN CLEAR OF PIPE AND JOINTS.
4. ALL FITTINGS TO BE SEPARATED FROM JOINTS BY A 3' TO 6' LENGTH OR PIPE.

		 SOLANO COMMUNITY COLLEGE	SOLANO COMMUNITY COLLEGE DISTRICT	HORIZONTAL THRUST BLOCKS	
Rev.	Date		STANDARD DETAILS	DWG. NO. 335	January 2014
 ENGINEERING GROUP					

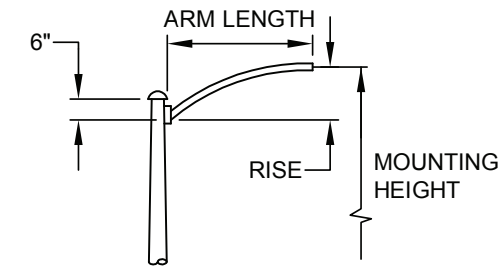
REQUIRED TIE DOWN

CUBIC FEET OF CONCRETE

FITTING TYPE		22-1/2° BEND	45° BEND	90° BEND
TYPICAL INSTALLATION				
PIPE SIZE	4"	8	27	40
	6"	19	34	60
	8"	31	56	100
	10"	48	89	160
	12"	62	120	220
	16"	121	225	400
	24"	270	530	970

NOTES:

1. THRUST BLOCKS TO BE CONSTRUCTED OF 3000 PSI CONCRETE.
2. BLOCKS TO BE POURED AGAINST UNDISTURBED SOIL.
3. THRUST BLOCKS SHALL HAVE CONTACT WITH FITTINGS ONLY AND REMAIN CLEAR OF PIPE AND JOINTS.
4. ALL FITTINGS TO BE SEPARATED FROM JOINTS BY A 3' TO 6' LENGTH OR PIPE.




SINGLE ARM POLE


TABLE 1 SINGLE-ARM STEEL POLES

MOUNTING HEIGHT	ARM		CODE	GAUGE	AMERON POLE PRODUCTS	
	LENGTH	RISE			SHAFT SIZE	CAT. NO.
27'-6"	4'	1'-6"	35-7119	10 OR 11	7.5"x3.8"x26'-6"	PL-264
28'-0"	6'	2'-0"	35-7170			PL-266
28'-0"	8'	2'-0"	35-7252			PL-268
32'-6"	6'	2'-0"	35-7120		8.0"x3.7"x31'-0"	PL-316
32'-6"	8'	2'-0"	35-7230			PL-318
35'-0"	6'	2'-0"	35-7122		8.0"x3.4"x33'-6"	PL-336
35'-0"	8'	2'-0"	35-71254			PL-338

NOTES:

- A. POLES SHALL BE IN ACCORDANCE WITH APPLICABLE REQUIREMENTS OF EEI-NEMA STANDARDS FOR STREET LIGHTING POLES, EET PUBLICATION ON. TDJ 135.
- B. ALL STEEL POLES TO HAVE 1/2" SQUARE GROUNDING OR NUT HOLDER IN THE POLE, DIRECTLY OPPOSITE THE HANDHOLE.
- C. ALL STEEL POLES TO BE FURNISHED GALVANIZED. GALVANIZED STEEL POLES AND ANCHOR BOLTS TO BE HOT DIP GALVANIZED PER LATEST REVISION OF ASTM SPEC. A153.
- D. ALL STEEL POLES TO BE FURNISHED WITH HANDHOLE AND HANDHOLE COVER.
- E. POLES TO BE FURNISHED WITH POLE BASE COVERS.
- F. SHIPPING INSTRUCTIONS: SHIP ALL LOOSE PARTS FOR ONE POLE IN ONE PACKAGE.

			SOLANO COMMUNITY COLLEGE DISTRICT STANDARD DETAILS	VERTICAL THRUST BLOCKS	
Rev.	Date			DWG. NO. 340	January 2014
CSW ST2 ENGINEERING GROUP					

			SOLANO COMMUNITY COLLEGE DISTRICT STANDARD DETAILS	MAST ARM ASSEMBLIES	
Rev.	Date			DWG. NO. 400	January 2014
CSW ST2 ENGINEERING GROUP					

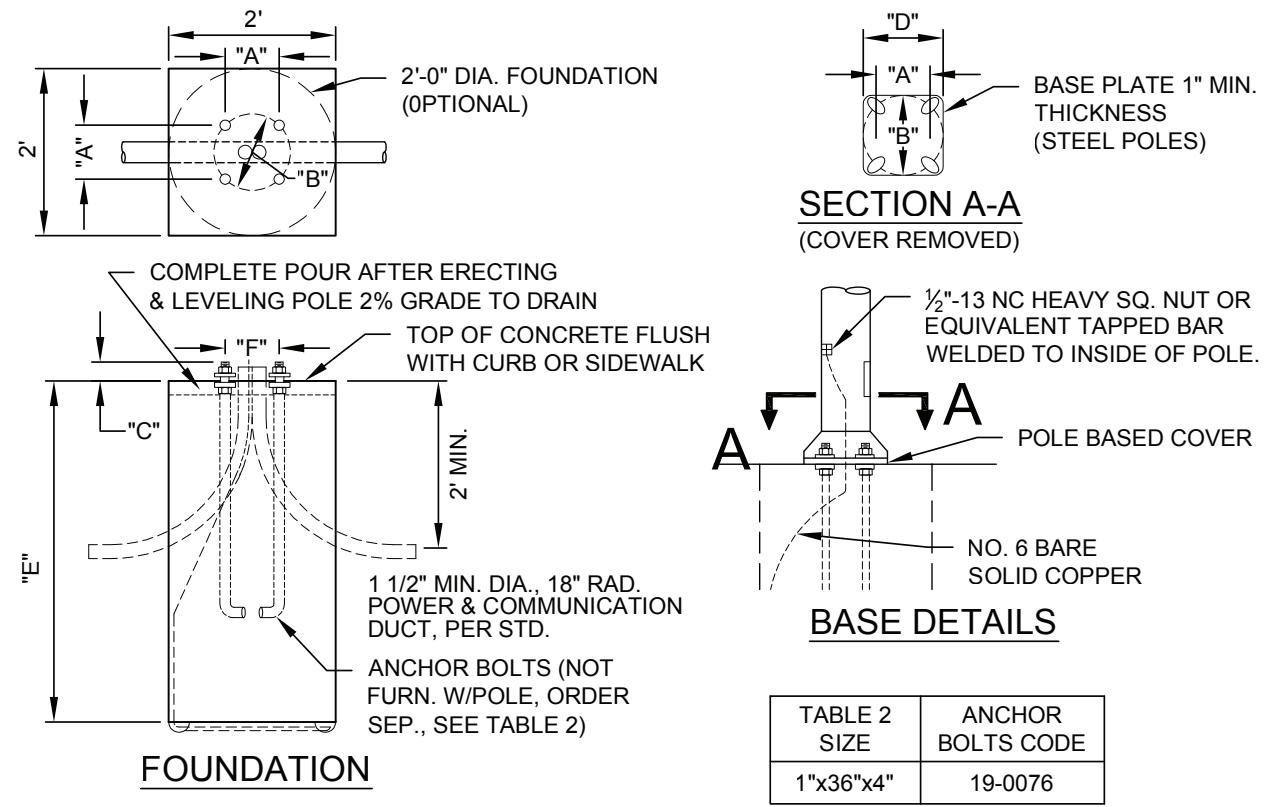


TABLE 1 ANCHOR BASE DATA FOR STEEL POLES

STEEL POLE		DIMENSIONS (IN.)							
POLE CODE NO.	MOUNTING HEIGHT	A	B	C	D			E	F
					UNION METAL	AMERON	VALMONT		
35-7119 & 35-7188	27'-6"	7-3/4	11	2-3/4	11-1/2	11-1/2	11-1/2	4'-6"	1"x36"x4"
35-7120 & 35-7189	32'-6"				11-1/2	11-1/2	11-1/2		
35-7122 & 35-7191	35'-0"				11-1/2	11-1/2	11-1/2		

CODE NUMBER PROVIDES FOR SINGLE ANCHOR BOLT, TWO GALVANIZED REGULAR HEX NUTS AND TWO GALVANIZED ROUND WASHERS. ANCHOR BOLTS TO BE FURNISHED WITH 6" MINIMUM THREAD LENGTH.

ANCHOR BOLTS TO BE COMPLETELY HOT-DIP GALVANIZED, OR HOT-DIP GALVANIZED ON THREADED END TO 2" MINIMUM BELOW END OF THREADS.

NOTES:
 A. WHEN SETTING POLES WITH FLAT STEEL BASES PROVIDE A DRAINAGE HOLE UNDER THE STEEL PLATE TO THE CENTER OF THE POLE. FROM HOLE BEFORE CONCRETE SETS USING A PIECE OF WELDING ROD OR EQUIVALENT.

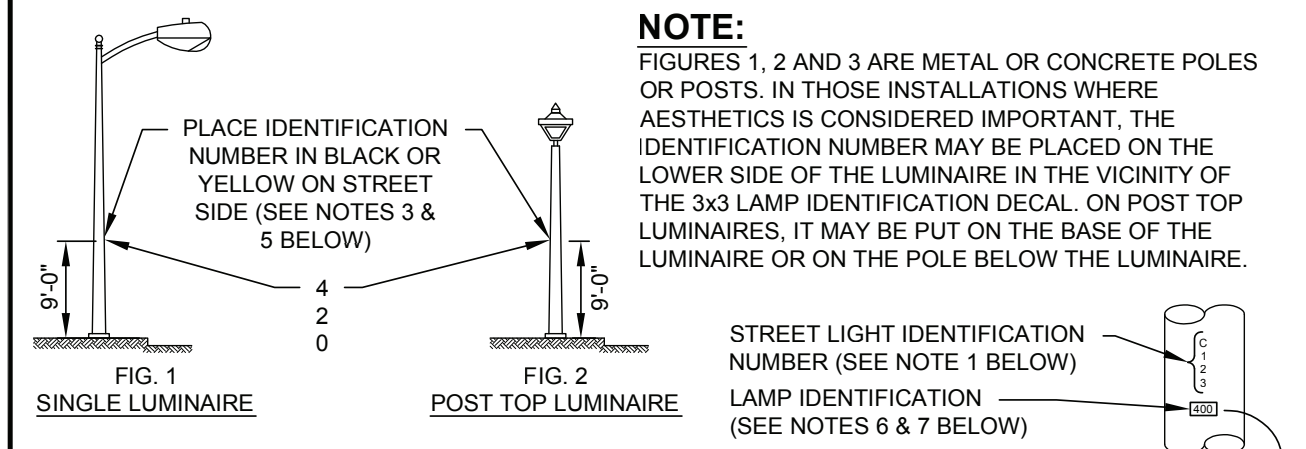


TABLE A

LAMP I.D. TAGS MERCURY/HIGH PRESSURE SODIUM LAMP	
TAG MARKINGS	LAMP RATING WATTS
70	70
100	100
150	150
175	175
200	200
250	250
400	400
700	700
1000	1000

TABLE B

NUMERAL ON I.D. DECAL	LAMP WATTAGE
7	70
10	100
15	150
17	175
20	200
25	250
40	400
70	700
X1	1000

ARRANGEMENT OF NUMBERS ON POLE

TABLE C

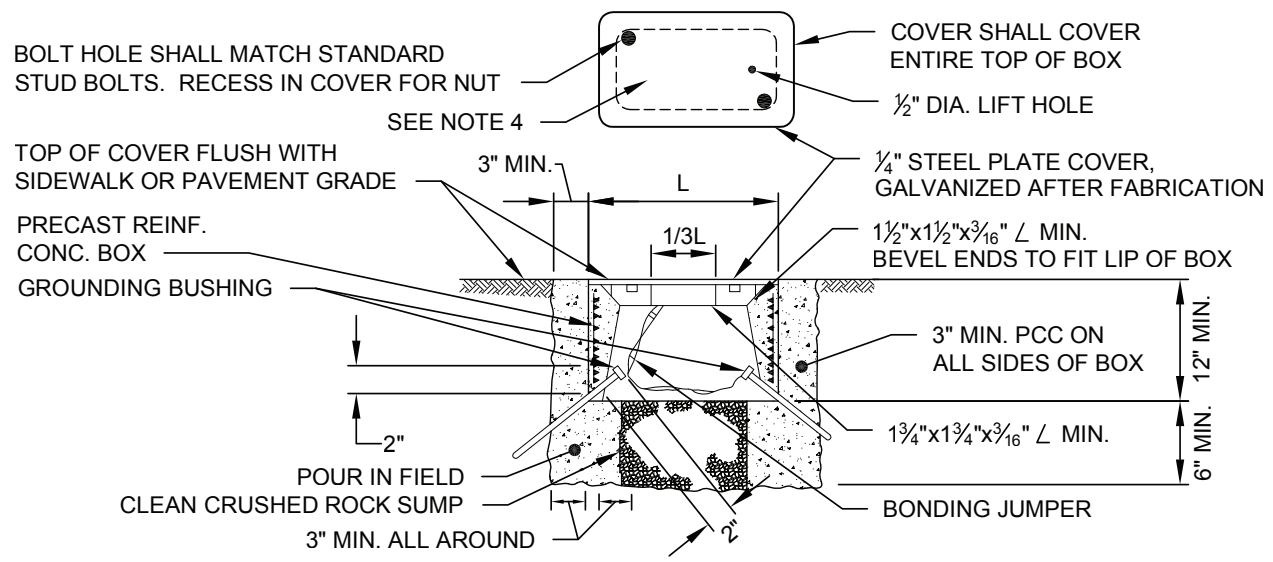
BACKGROUND COLOR ON I.D. DECAL	LAMP TYPE
BLUE	MERCURY
GOLD	HIGH PRESSURE SODIUM
PURPLE	LED

NOTES:

- USE ENAMEL PAINT OR ENAMEL TRANSPARENT STREET LIGHT NUMBERS ON METAL OR CONCRETE POLES OR POSTS. USE 2" LETTERS.
- USE 2" HIGH ALUMINUM NUMBERS ON WOOD POLES. ATTACH WITH 1 1/2"x0.113" DIA. ALUMINUM NAILS.
- ON WOOD POLES TAGS ARE ETCHED AND OXIDIZED BLACK. MATERIAL IS NO. 20 GAUGE (0.032 IN. ALUMINUM).
- ON SPECIAL LAMINATED WOOD POSTS OR POLES MONEL TAPE MAY BE USED.
- USE BLACK IDENTIFICATION NUMBERS ON LIGHT POLES AND YELLOW IDENTIFICATION NUMBERS ON DARK POLES.
- USE 1 1/4" ENAMEL PAINT TRANSFERS OR ENAMEL TRANSPARENTS LAMP IDENTIFICATION NUMBERS ON METAL OR CONCRETE POLES OR POSTS.
- NOT REQUIRED IF THE MANUFACTURER HAS PROVIDED A 3"x3" LAMP IDENTIFICATION DECAL ON THE LOWER SIDE OF THE LUMINAIRE BEHIND THE REFRACTOR. THE IDENTIFYING CODE FOR LAMP WATTAGES AND TYPE IS SHOWN IN TABLES B & C.

Rev. Date		SOLANO COMMUNITY COLLEGE DISTRICT STANDARD DETAILS	CAST-IN-PLACE LIGHTING FOUNDATION	
			DWG. NO. 405	January 2014

Rev. Date		SOLANO COMMUNITY COLLEGE DISTRICT STANDARD DETAILS	IDENTIFICATION OF STREET LIGHT LUMINAIRES	
			DWG. NO. 410	January 2014



NO. 3 1/2(T) & NO.5(T) TRAFFIC PULL BOX
(CONCRETE BOX ONLY)


DIMENSION TABLE

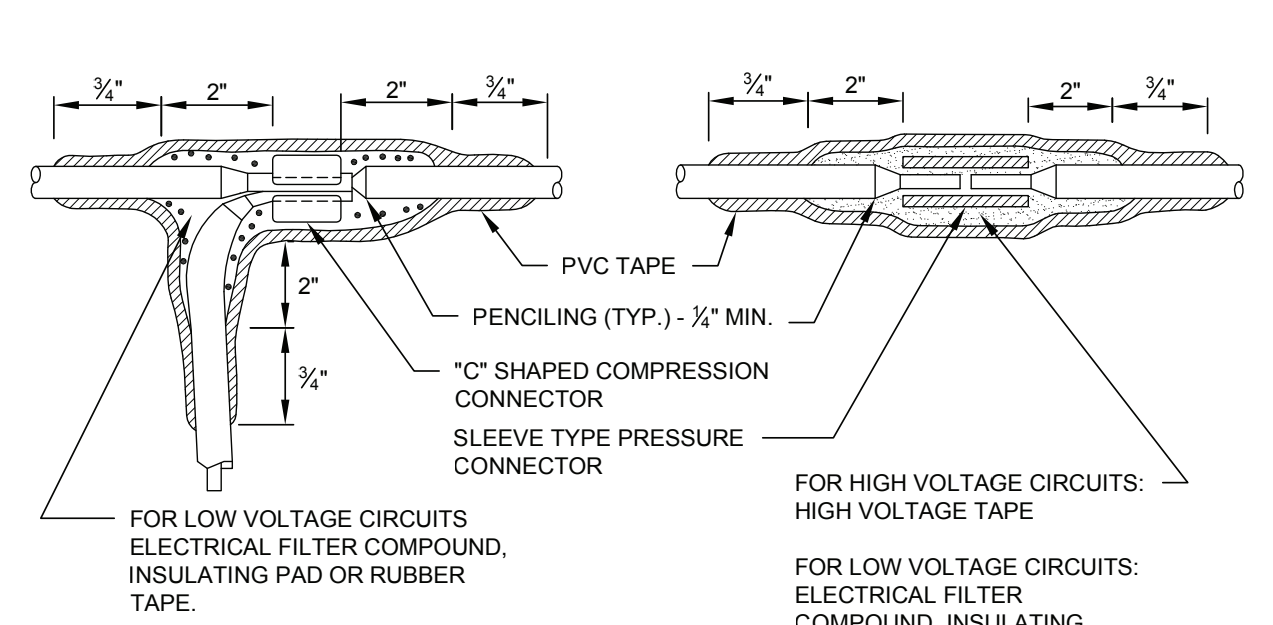
PULL BOX	CONCRETE BOX		PLASTIC BOX		CONCRETE OR PLASTIC COVERS				
	MIN. ** THICKNESS	MIN. DEPTH BOX AND EXTENSION	MIN. ** THICKNESS	MIN. DEPTH BOX AND EXTENSION	L***	W***	R	EDGE THICKNESS	EDGE TAPER
NO. 3 1/2"	1"	NO EXTENSION	5/16"	NO EXTENSION	15 3/8"	10 1/8"	1 1/8"	1 3/4"	1/8"
NO. 5	1"	22"	5/16"	20"	23 1/4"	13 3/4"	1 1/4"	2"	1/8"
NO. 6	1 1/2"	24"	3/8"	20"	30 5/8"	17 5/8"	1 1/4"	2"	1/8"
NO. 6T	2"	11"	DOES NOT APPLY		33"± *	20"± *	0"	1/4"	NONE

* STEEL COVER ** EXCLUDING CONDUIT WEB *** TOP DIMENSION

NOTES:

- USE STEEL COVER AND SPECIAL CONCRETE FOOTING, SHOWN, WHEN PULL BOX IS TO BE INSTALLED WHERE SUBJECT TO VEHICULAR TRAFFIC LOADING. STEEL COVER SHALL HAVE EMBOSSED NON-SKID PATTERN.
- TOP OF PULL BOXES SHALL BE FLUSH WITH ADJACENT GRADE, SIDEWALK, CURB, OR OTHER STRUCTURE.
- CONDUIT SHALL NOT EXTEND MORE THAN 3" INTO PULL BOX.
- PULL BOX COVERS SHALL BE MARKED AS FOLLOWS:
 - "SIGNAL" FOR TRAFFIC SIGNAL CIRCUITRY
 - "STREET LIGHTS" FOR STREET LIGHT CIRCUITRY
 - "SPRINKLER-CONTR." FOR SPRINKLER CONTROL CIRCUITRY
- BONDING JUMPER FOR METAL COVERS SHALL BE 36" LONG, MINIMUM.
- PULL BOXES SHALL NOT BE LOCATED IN HANDICAPPED RAMP AREAS OR IN DRIVEWAYS.

Rev. Date		 <p>SOLANO COMMUNITY COLLEGE</p>	<p>SOLANO COMMUNITY COLLEGE DISTRICT</p> <p>STANDARD DETAILS</p>	PULL BOXES	
<p>CSW ST2 ENGINEERING GROUP</p>				DWG. NO. 415	January 2014

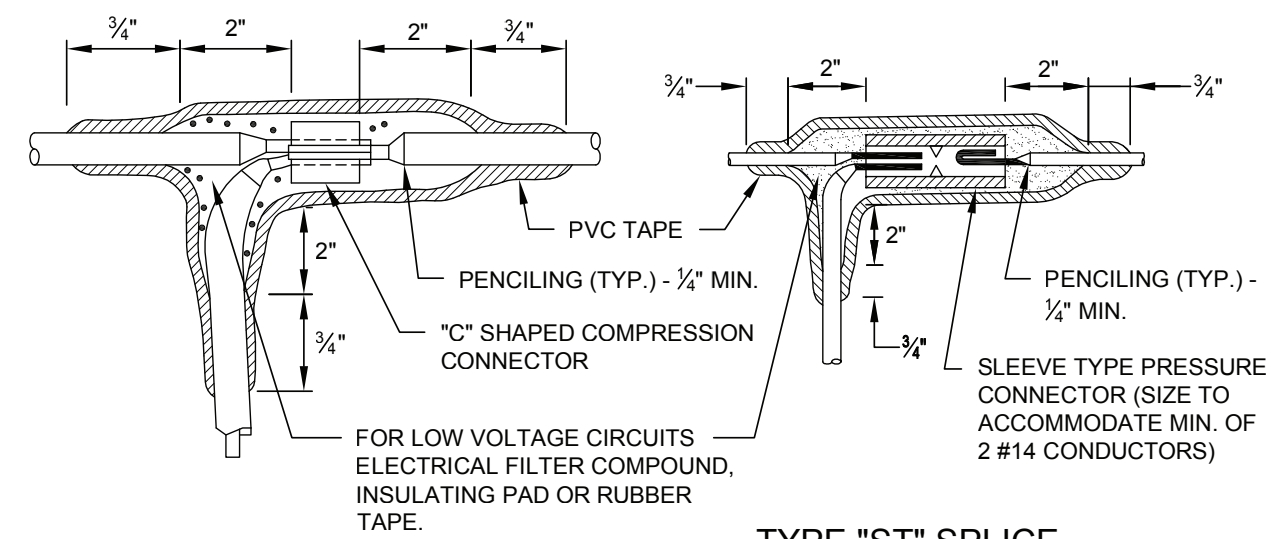


TYPE "C" SPLICE

(BETWEEN 1 FREE-END AND 1 THROUGH CONDUCTOR)

TYPE "S" SPLICE

(BETWEEN 2 FREE-ENDS)



TYPE "T" SPLICE

(FOR 3 FREE-ENDS)

TYPE "ST" SPLICE

(FOR SIGNAL CONDUCTORS)


Rev. Date		 <p>SOLANO COMMUNITY COLLEGE</p>	<p>SOLANO COMMUNITY COLLEGE DISTRICT</p> <p>STANDARD DETAILS</p>	SPLICE DETAILS	
<p>CSW ST2 ENGINEERING GROUP</p>				DWG. NO. 420	January 2014

TABLE 1. HORIZONTALLY MOUNTED HIGH PRESSURE SODIUM VAPOR LUMINAIRES

LUMINAIRE DESCRIPTION			LUMINAIRES APPROVED FOR PURCHASE ARE GE OR EQUAL	
LAMP SIZE (WATT)	BALLAST		TWIST LOCK RCPT.	GENERAL ELECTRIC CATALOG NUMBER
	TYPE	RATING VOLTS		
70	REGULATOR	120	YES	M2AR07SIN2AMS22
100	REGULATOR	120	YES	M2AR10SIN2AMS22
200	REGULATOR	120	YES	M2AR20SIN2AMS22



NOTES:

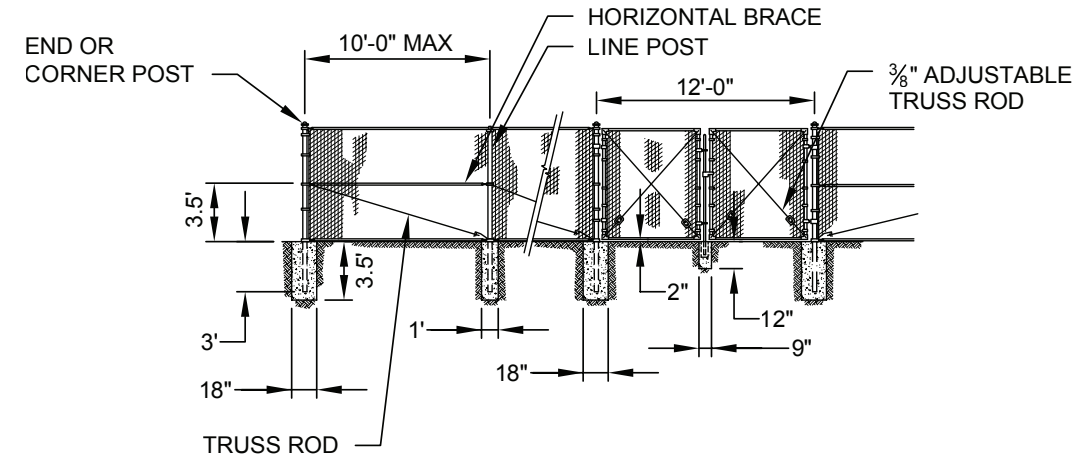
1. ALL DIMENSIONS ARE MINIMAL.
2. RUBBER TAPES SHALL BE ROLLED AFTER APPLICATION.
3. WHEN PVC TAPE IS USED AS FINAL LAYER, PAINT FINISHED SPLICE WITH ELECTRICAL INSULATING COATING.

INSULATING METHODS:

LOW VOLTAGE CIRCUITS (0-600 VOLTS)




1. COMPLETELY COVER THE SPLICE AREA WITH AN ELECTRICAL INSULATING COATING AND ALLOW TO DRY.
2. APPLY 2 LAYERS OF ELECTRICAL INSULATING PAD WITH MINIMUM THICKNESS OF 1/8" EACH LAYERS OR 2 LAYERS, HALF LAPPED, SYNTHETIC OIL RESISTANT, SELF FUSING RUBBER TAPE.
3. APPLY 3 LAYERS HALF LAPPED PVC TAPE.

Rev. Date			SOLANO COMMUNITY COLLEGE DISTRICT STANDARD DETAILS	SPLICE NOTES	
				DWG. NO. 425	January 2014




6' CHAIN LINK FENCE

TYPICAL MEMBER DIMENSIONS

LINE POSTS		CORNER	GATE	END POSTS	TOP RAIL & BRACES	
ROUND	ROLL FORM	ROUND			ROUND	
2 3/8" O.D. 3.65 #/FT	2.25"x1.7" 2.64 #/FT	2 7/8" O.D. 5.79 #/FT	3 1/2"x3 1/2" 5.14 #/FT	3"x3"	1 5/8" O.D. 2.27 #/FT	1 1/4" x 1 5/8" 1.35 #/FT

NOTES:

1. FABRIC SHALL BE 9 GAUGE 3 1/2"x5 1/2" MESH WITH PLASTIC PICKETS 2 1/2"x3/8" ATTACHED TO FABRIC USING TWO GALVANIZED STAPLES (CRIMPED ON BACK SIDE). TOP & BOTTOM SELVAGES TO BE KNUCKLED. PLACE FABRIC ON PUBLIC SIDE.
2. FABRIC TO BE ATTACHED TO END & CORNER POSTS USING 1/4"x3/4" STRETCHER BARS.
3. BOTTOM TENSION WIRE SHALL BE 7 GAUGE GALVANIZED STEEL COIL SPRING WIRE. FABRIC TO BE ATTACHED TO TENSION WIRE USING 9 GAUGE HOG RINGS AT 18" SPACING.
4. FABRIC TIES-(a) TO POST USE 6 GAUGE STEEL POST CLIPS OR 9 GAUGE GALVANIZED STEEL WIRE TIES AT 14" SPACING (b) TO TOP RAIL USE 9 GAUGE GALVANIZED STEEL WIRE TIES AT 14" MAX. SPACING.
5. TRUSS RODS SHALL BE ADJUSTABLE 3/8" GALVANIZED STEEL RODS.

Rev. Date			SOLANO COMMUNITY COLLEGE DISTRICT STANDARD DETAILS	CHAIN LINK FENCE	
				DWG. NO. 500	January 2014

Civil Standard Specifications

31 00 00

EARTHWORK AND GRADING

PART 1 - GENERAL

1.1 SUMMARY

- A. This section describes general requirements, products, and methods of execution relating to on-site earthwork. Any work within the public right-of-way shall be constructed to the standards of Solano County, and the State of California Department of Transportation. Earthwork includes, but is not limited to, the following:
1. Grading.
 2. Material.
 3. Excavation.
 4. Filling and backfilling.
 5. Soil Sterilant.
 6. Termiticide.
- B. Provide labor, material and equipment and services necessary to complete the excavations, recompaction and finish grading as specified and indicated on Plans.
1. Obtain permit from local authorities.
 2. Provide surveying for grading operations.
 3. Provide shoring design.
 4. Provide dewatering operations.
 5. Provide Site grading, cut, fill and finish.
 6. Provide excavation and backfill for filling construction, including trenches within building lines.
 7. Preparation for subgrade for building slabs, walks, pavements, and landscaping.
 8. Provide distribution of stockpiled topsoil.
 9. Provide sub-base course for walks and pavements.
 10. Provide sand and gravel for capillary break/moisture barrier under building slabs.
 11. Provide sub-surface drainage backfill for walls and trenches.
 12. Provide Engineered fills for building slabs and foundations.
- C. The work includes removal and legal disposal off the site of debris, rubbish and other materials resulting from clearing and grubbing operations.
- D. Work specified in Related Sections:
1. Section 31 10 00 – SITE PREPARATION.
 2. Section 31 23 33– TRENCHING, BACKFILLING, & COMPACTING.

1.2 DEFINITIONS

- A. Engineered Fill:
1. Soil or soil-rock material approved by Project Manager and transported to the site by the Contractor in order to raise grades or to backfill excavations.
 2. The District's Testing Agency will make sufficient tests and/or observations for the purpose of issuing a written statement that specification requirement.
- B. On-site Material: Soil or earth material obtained from required on-site excavation.
- C. Excavation: Consists of the removal of material encountered to subgrade elevations and the re-use or disposal of materials removed.
- D. Subgrade: The uppermost surface of an excavation or the top surface of a fill or backfill immediately below sub-base, drainage fill, or topsoil materials.

- E. Borrow: Soil material obtained off-site when sufficient approved soil material is not available from excavations.
- F. Base Course: The layer placed between the sub-base and surface pavement in a paving system.
- G. Relative Compaction: In-place dry density of soil expressed as percentage of maximum dry density of same materials, as determined by laboratory test procedure American Society for Testing and Materials (ASTM) D1557.
- H. Subgrade: The uppermost surface of an excavation or the top surface of a fill or backfill immediately below top soil, rock base course, or drainage fill.

1.3 SYSTEM DESCRIPTION

- A. Requirements:
1. Grades and elevations are to be established with reference to bench marks referenced on Plans.
 2. Maintain Engineering markers such as monuments, bench marks and location stakes. If disturbed or destroyed, replace.
- B. Criteria:
1. The character of the material to be excavated or used for subgrade is not necessarily as indicated.
 2. Ground water elevations indicated are those existing at the time subsurface investigations were made and do not necessarily represent ground water elevation at the time of construction.
 3. Blasting will not be permitted.
 4. Remove material in an approved manner.
- C. Shoring Design: Where shoring is required by State Law or determined by the Contractor to be necessary, provide proposed excavation shoring method for review prior to commencement of excavation requiring shoring. Include the following information:
1. Basic design assumptions.
 2. Design Calculations.
 3. Describe materials or shoring system to be used.
 4. Indicate whether or not any components will remain after filling or backfilling.
 5. The shop plans for the proposed shoring system.
 6. Coordinate with the Construction Documents and identify any proposed modifications or deviations.
 7. Certification of the above by a registered professional civil or structural Project Manager licensed by the State of California.
- D. Dewatering Plan: Based upon site surface and subsurface conditions, including available geotechnical and hydrological data, provide a system to perform the following:
1. Lower the ground water level two feet below the bottom of excavation.
 2. Relieve the hydrostatic pressure below the subgrade to prevent uplift.
 3. Prevent surface drainage from accumulating within work area.
 4. Legally discharge and dispose of excess water.
 5. Submit description of basic components of proposed dewatering system and its planned method of operation.
- E. Safety:
1. The Contractor shall take all necessary precautions to eliminate the exposure of workers, students, staff and the public to asbestos fibers, including but not limited to: dust control measures and measures included in Section 93106 and Section 93105 of California Code of Regulations, Title 17.

1.4 SUBMITTALS

- A. Comply with provisions of Section SUBMITTAL PROCEDURES.
- B. Product Data: Manufacturer's literature and data, including, where applicable, capacity, labels, or other markings on equipment made to the specified standards for materials, for the following:
 - 1. Imported materials.
 - 2. Class II aggregate base (CDT Section 26).
 - 3. Storm Water Pollution Prevention / Erosion Control Plans.
 - 4. Permit/Notice of Intent (N.O.I.), for discharge of storm run-off from the construction site.
 - 5. Soil Sterilant.
 - 6. Termiticide.
- C. Test Reports: Submit following reports for import material directly to Project Manager from the Contractor's testing services:
 - 1. Test reports on borrow material.
 - 2. Density test reports.
 - 3. One optimum moisture-maximum density curve for each type of soil encountered.
 - 4. Report of actual unconfined compressive strength and/or results of bearing test of each strata tested.
 - 5. At least one laboratory optimum moisture - maximum dry density curve for each type of soil encountered.
- D. Shoring Design: Submit 4 copies of shoring design and shop plans; none will be returned unless a concern is observed.
- E. Submit description of dewatering methods proposed for use.
- F. Submit description of vibratory compactors proposed for use when requesting placement of backfill and fill materials in layers greater than 6 inches thick.
- G. Samples:
 - 1. 20-lb. Samples, sealed in air-tight containers, of each proposed fill and backfill soil material from on-site or borrow sources.
 - 2. 12-by-12 inch sample of filter fabric.

1.5 QUALITY ASSURANCE

- A. Requirements of Regulatory Agencies:
 - 1. Comply with State of California Business and Transportation Agency, Department of Transportation (Caltrans) "Standard Specifications."
 - 2. Comply with State of California Code of Regulations (CCR).
 - 3. Comply with State of California Construction Safety Orders, Latest Edition (CAL/OSHA).
 - 4. San Mateo Department of Public Works, Standards and Specifications and Plans.
- B. Soil Testing:
 - 1. District will engage a geotechnical testing agency, to include testing soil materials proposed for use in the work and for quality control testing during excavation and fill operations.
 - 2. Test results will be distributed in compliance with Section TESTING AND INSPECTION.
- C. Codes and Standards:
 - 1. Perform excavation work in compliance with applicable requirements of authorities having jurisdiction.
 - 2. Storm Water Pollution Prevention and Monitoring Plan to be prepared by others.
 - 3. Statewide General Permit to Discharge Storm Water associated with construction activity.

- D. Comply with the latest editions of the following Standards and Regulations:
 - 1. American Society for Testing and Materials (ASTM):
 - a. C33: Concrete Aggregates.
 - b. C125: Standard Terminology Relating to Concrete and Concrete Aggregates.
 - c. C136: Sieve Analysis of Fine and Coarse Aggregates.
 - d. C566: Total Evaporable Moisture Content of Aggregate by Drying.
 - e. D421: Dry Preparation of Soil Samples for Particle-Size Analysis and Determination of Soil Constants.
 - f. D422: Particle Size Analysis of Soil.
 - g. D854: Specific Gravity of Soils.
 - h. D1556: Density of Soil by the Sand Cone Method.
 - i. D1557: Laboratory Compaction Characteristics of Soil Using Modified Effort
 - j. D2216: Determination of Water (Moisture) Content of Soil, Rock, and Soil-Aggregate Mixtures.
 - k. D2487: Classification of Soils for Engineering Purposes.
 - l. D2922: Density of Soil and Soil-Aggregate in Place by Nuclear Methods (Shallow Depth)
 - m. D2937: Density of Soil in Place by Drive Cylinder Method.
 - n. D3017: Water Content of Soil and Rock in Place by Nuclear Methods (Shallow Depth).
 - o. D4318: Liquid Limit, Plastic Limit, and Plasticity Index of Soils.
 - 2. California Code of Regulations, Title 24, Part 2 - Basic Building Regulations, Chapter 24 - Excavations, Foundations, and Retaining Walls.
 - 3. California Department of Transportation (CDT) Standard Specifications:
 - a. Section 17:
 - b. Section 18:
 - c. Section 19: Earthwork.
 - 4. CAL/OSHA, Title 8.
 - 5. Other authorities having jurisdiction
- E. Geotechnical Engineering Services:
 - 1. Geotechnical Engineer will observe grading observations during preparation offsite, excavation, and compaction of fill materials.
 - 2. Make visits to site to familiarize himself generally with progress and quality of work.
 - 3. Make field observations and tests to enable him to form opinions regarding adequacy of site preparation, acceptability of fill materials and extent to which earthwork construction and relative compaction comply with specifications requirements.
 - 4. Examine conditions exposed in foundation excavations.
- F. Site Information:
 - 1. Soil borings and other exploratory operations may be made by Contractor at no cost to District. Submit proposed boring locations for review prior to performing the work.

1.6 DELIVERY, STORAGE, AND HANDLING

- A. Protect materials of this section before, during and after installation; objects designated to be retained; and the installed work of other trades.
- B. In the event of damage to any of these items, immediately make repairs or replacements necessary to the acceptance of the Project Manager and at no additional cost to the District.
- C. Comply with provisions of Section 01500 - TEMPORARY FACILITIES AND CONTROLS where necessary to control dust and noise on and near the work caused by operations during performance of the Work.

1.7 PROJECT CONDITIONS

A. Environmental Requirements:

1. When unfavorable weather conditions necessitate interrupting filling and grading operations, prepare areas by compaction of surface and grading to avoid collection of water.
2. Provide adequate temporary drainage to prevent erosion.
3. After interruption, reestablish compaction specified in last layer before resuming work.
4. Protect existing storm drainage system from silt and debris resulting from construction activities. If contamination occurs, remove contamination at no cost to District.
5. Protect existing streams, ditches and storm drain inlets from water-borne soil by means of straw bale dikes, filter fiber dams, or other methods as approved by the Project Manager.

B. Barricade open excavations and post with warning lights.

1. Comply with requirements of Section TEMPORARY FACILITIES AND CONTROLS.
2. Operate warning lights as recommended by authorities having jurisdiction.
3. Protect structures, utilities, sidewalks, pavements, and other facilities immediately adjacent to excavations, from damages caused by settlement, lateral movement, undermining, washout and other hazards.

C. Protection of Subgrade: Do not allow equipment to pump or rut subgrade, stripped areas, footing excavations, or other areas prepared for project.

D. At Contractor's option, a working pad of granular material may be laid to protect footing and floor subgrade soils from disruption by traffic during wet conditions.

E. Transport all excess soils materials by legally approved methods to disposal areas.

1. Coordinate with the Project Manager.
2. Sufficient topsoil and fill material shall be retained from the site to complete project requirements.
3. Any additional topsoil and fill requirements shall be the responsibility of the Contractor.

F. Use of explosives will not be permitted.

G. Dust Control Requirements: At all times during earthwork operations and until final completion and acceptance of the earthwork, the Contractor shall prevent the formation of an airborne dust and dirt nuisance from interfering with the surrounding normal operations. The Contractor shall effectively stabilize the site of work in such a manner that it will confine dust particles to the immediate surface of the work and to obtain a minimum of 40 percent emissions reduction by applying a dust palliative. The dust palliative shall be non-petroleum based. Water alone is not considered to be a dust palliative. The dust palliative shall be applied at the rate and method in conformance with Section 18, "Dust Palliative," of the CDT Standard Specifications and as recommended and/or specified by the manufacturer. Contractor shall assume liability for all claims related to dust and dirt nuisances.

1.8 Existing Utilities

A. The Contractor shall contact local utility agencies prior to construction and arrange for the shut-off of all utilities serving the buildings to be demolished. Coordinate work required to abandon active lines with the Project Manager and the District.

B. Locate existing underground utilities in the areas of work. If utilities are to remain in place, provide adequate means of protection during excavation operations.

C. Should uncharted or incorrectly charted piping or other utilities be encountered during excavation, consult utility Project Manager immediately for directions.

1. Cooperate with the District and public and private utility companies in keeping their respective services and facilities in operation.
2. Repair damaged utilities to the satisfaction of the utility District.

D. Do not interrupt existing utilities serving facilities occupied and used by the District or others, except when permitted in writing by Project Manager and then only after acceptable temporary utility services have been provided.

1.9 SEQUENCING AND SCHEDULING

A. The sequence of operations shall be reviewed by the Project Manager prior to commencement of any work.

B. Coordinate operations with relocation of existing utilities.

PART 2 - PRODUCTS

2.1 MATERIALS

A. General:

1. Fill material will be subject to approval of the Geotechnical Engineer.
2. For approval of imported fill material, notify the Project Manager at least 7 days in advance of intention to import material, designated proposed borrow area, and permit the Geotechnical Engineer to sample as necessary from borrow area for purpose of making acceptance tests to prove quality of material.
3. The Geotechnical Engineer's report on acceptability shall be final and binding.
4. During grading operations, soil types other than those analyzed in the geotechnical report for the project, may be encountered.
5. Consult the Geotechnical Engineer to determine the suitability of these soils.

B. Engineered Fill Material: Soil excavated from site or imported conforming to requirements for fill material.

1. Imported materials should have a plasticity index not less than 5 nor greater than 15, as determined by ASTM D4318; and expansion index not exceeding 20, as determined by UBC Specification 29-2; and a particle size not exceeding 3 inches as determined by ASTM D422.

C. Topsoil: Friable clay loam surface soil found in a depth of not less than 10 inches. Satisfactory topsoil is reasonably free of subsoil, clay lumps, stones and other objects over 2 inches in diameter, and without weeds, roots and other objectionable material.

1. Use topsoil for top 2 feet of fill against exterior walls, except at paving, sidewalks, and slabs.
2. Topsoil may also be used beyond the area within 5 feet of building, except under paving and sidewalks.
3. Confirm suitability of stockpiled materials.

D. Sand: Clean, well-graded fine to coarse sand with not more than 2 percent passing the #200 sieve based on wet sieve analysis.

1. Provide 2-inch layer under building slabs on grade or as specified by the geotechnical report for this project.
2. Provide at other locations indicated.
3. Where coarse sand is required, provide sand no finer than No. 40 sieve.

E. Graded Rock Base:

1. Bedding for utility piping: Washed, uniformly graded mineral aggregate ASTM D448 with percentage composition of dry weight conforming with following limits:
 - a. Passing 1-inch Sieve: 100 percent.
 - b. Passing 3/4-inch Sieve: 90-100 percent.
 - c. Passing No. 4 Sieve: 0-10 percent.
2. Base at Slab-on-Grade: As specified in the geotechnical report for this project.
3. Absorption of water to saturated-surface dry condition shall not exceed 3 percent of oven-dry weight of a sample.

- F Backfill material for use behind retaining walls shall be a granular material consisting of sand, broken rock, or a mixture of sand and gravel containing no size larger than 2 ½ inches and not more than 15 percent passing the No. 200 sieve.
- G Imported Fill Requirements: Imported fill, where required, shall be non expansive granular soil, free of organic matter and deleterious substances. Imported fill material shall conform to the following requirements:
1. Grading:

U. S. Sieve Size	Percentage Passing Sieve
2 ½ inch	100
No. 8	25-45
No. 200	0-10
 2. Be thoroughly compactable without excessive voids.
 3. Meet the following plasticity requirements:
 - a. Maximum Plasticity Index of 12, as determined by ASTM D4318.
 - b. Maximum Liquid Limit of 35, as determined by ASTM D4318
- H. Imported Fill for Planting Areas: Imported fill for use in planting areas shall be sandy loam weed free soil. Submit analysis from certified Soil and Plant Lab. Coordinate with Landscape Engineer.
- J. Pea Gravel: 3/8 inch to ½ inch washed, uncrushed gravel. Use at drainage pipe and at other locations indicated.
- K. Filter Fabric: Provide filter fabrics that meet or exceed the listed minimum physical properties determined according to ASTM D4759 and the referenced standard test method in parentheses.
1. Grab Tensile Strength (ASTM D4632): 100 lb.
 2. Apparent Opening Size (ASTM D4751): #100 U.S. Standard sieve.
 3. Permeability (ASTM D4491): 150 gallons per minute per square foot.
- L. Drainage Pipe:
1. Perforated corrugated plastic drainage tubing meeting ASTM F405, with continuous integral nylon filter screen.
 2. Acceptable Manufacturers and Products: Advanced Drainage Systems “DrainGuard,” Hancor “Agri-Flow.”
 3. Provide couplings, elbows and other fittings as recommended by pipe manufacturer.
- M. Water: Clean and free from deleterious amounts of acids, alkalis, salts and organic matter.

2.2 SOIL STERILANT

- A. Soil Sterilant shall be Treflan E.C. or approved equivalent.

2.3 TERMITICIDE

- A. Termiticide shall be Permethrin, Denon, or approved equivalent.

PART 3 - EXECUTION

3.1 GENERAL

- A. Prior to commencement of earthwork, become thoroughly familiar with site conditions.
- B. In the event discrepancies are found, immediately notify the Project Manager in writing, indicating

the nature and extent of differing conditions.

- C. No earthwork shall be performed without physical presence or acceptance of the Geotechnical Engineer.
- D. The Geotechnical Engineer’s acceptance is required by these specifications; notify the Project Manager at least 48 hours prior to commencing any phase of earthwork.
1. No phase of work shall proceed until prior phase has been accepted by the Geotechnical Engineer.
 2. Work shall not be covered up or continued until acceptance of the Geotechnical Engineer shall give written notice of conformance with the specifications upon completion of grading.
- E. Compacting:
1. Compact by power tamping, rolling or combinations thereof as accepted by the Geotechnical Engineer.
 - a. Where impractical to use rollers in close proximity to walls, stairs, etc., compact by mechanical tamping.
 - b. Scarify and recompact any layer not attaining compaction until required density is obtained.
 2. Compaction by flooding, ponding or jetting will not be permitted, unless specifically accepted by the Geotechnical Engineer.
- F. Hazardous Materials
1. If any materials are encountered that may be hazardous (as defined in Section 25117 of the California Health and Safety Code), inform the Project Manager verbally within 24 hours and in writing within 2 business days. Upon discovery, material is to remain undisturbed until investigation by Project Manager is complete. The removal and disposal of hazardous materials, if discovered, is not part of the scope of work of this Division for this project.

3.2 SITE PREPARATION

- A. Protect structures, utilities, sidewalks, pavements, and other facilities which are to remain from damage caused by settlement, lateral movement, undermining, washout, and other hazards created by earthwork operations. Set up tree protection measures prior to commencing grading or demolition operations.
- B. Clearing and Grubbing:
1. Remove from area of designated project earthwork all improvements and obstructions, including designated concrete curbs or slabs, asphaltic concrete, all tree and shrub roots, any buried utility and irrigation lines, and other matter determined by the Geotechnical Engineer to be deleterious.
 - a. In all new planting areas, remove existing base material.
 - b. Use only hand methods for grubbing inside the drip line of trees indicated to be left standing.
 2. Retain on the site all trees and shrubs, unless otherwise indicated on the plans as existing trees to be removed.
 3. Remove or fill existing basements left from removed structures as appropriate to areas. Compact in accordance with requirements of these specifications.
 4. Removed material shall become property of the Contractor and shall be removed from site, unless otherwise indicated on the plans or specified herein.
 5. Holes resulting from removal of underground obstructions that extend below finish grades shall be cleared and backfilled with Engineered fill.
 6. Existing Trees to remain:
 - a. Verify the locations of existing trees to be preserved.
 - b. Replace existing trees to remain that are damaged during construction at no additional

cost to the District and provide replacement specimens of same species per coordination with the Project Manager.

- c. Carefully make clean cuts at roots and branches of trees indicated to be left standing, where such roots and branches obstruct new construction. Paint cuts over ½ inch in size with tree pruning compound.

7. Contact District Arborist 48 hours prior to cutting any trees

C. Topsoil:

1. Strip topsoil to whatever depths encountered in manner to prevent intermingling with the underlying subsoil or other objectionable material.
2. Remove heavy growths of grass from areas before stripping. Where trees are indicated to be left standing, stop topsoil stripping a sufficient distance to prevent damage to the main root system.
3. Stockpile topsoil in storage piles to freely drain surface water.
4. Cover storage piles if required to prevent windblown dust.

3.3 EXISTING UTILITIES

- A. Protect existing utilities that are to remain in operation as specified.
- B. Demolish and completely remove from the site existing underground utilities indicated and/or required to be removed in order to complete the work. See Section 02200 – SITE PREPARATION.
- C. Movement of construction machinery and equipment over existing pipes and utilities during construction shall be at contractor’s risk.
- D. Excavation made with power-driven equipment is not permitted within 2 feet of any known utility or subsurface structure.
 1. Use hand or light equipment for excavating immediately adjacent to or for excavations exposing a utility or buried structure.
 2. Start hand or light equipment excavation on each side of the indicated obstruction and continue until the obstruction is uncovered or until clearance for the new grade is assured.
 3. Preserve and irrigate removed sections of existing turf for salvage and/or replacement and restoration.
 4. Support uncovered lines or other existing work affected by excavation until approval for backfill is obtained.
 5. Report damage of utility line or subsurface structures immediately to Project Manager

3.4 PREPARATION OF SUBGRADE

- A. Expansive soils are anticipated to basement depth.
 1. Review the necessity for overexcavation of expansive soils.
- B. Scarify building pad, exterior flatwork and pavement subgrade to a depth of at least 8 inches and work until uniform and free from large clods.
 1. Bring expansive subgrades to 2 to 5 percentage points above the optimum moisture content and compact to 90 percent of the maximum laboratory dry density, in accordance with ASTM D1557.
 2. Bring nonexpansive subgrades to or slightly above the optimum moisture content and compact to 90 percent of the maximum laboratory dry density in accordance with ASTM D1557.

3. Increase compaction of the upper 12 - 18 inches of pavement subgrades to 95 percent of the maximum laboratory dry density per ASTM D1557 for nonexpansive subgrades.

3.5 DEWATERING

- A. Do not allow water from surface drainage or underground sources to accumulate in excavations, unfinished fills, or other low areas.
- B. Provide and maintain ample means and devices to remove water promptly and dispose properly of water entering excavations or other parts of the work to prevent softening of exposed surfaces.
- C. Dewater by methods which will ensure dry excavation and preservation of finish lines and grades of excavation bottoms.
- D. Prior to excavating below ground water level, place dewatering system in operation.
 1. Lower the ground water level a minimum of 2 feet below the bottom of the excavation.
 2. Relieve the hydrostatic pressure in pervious zones below the subgrade elevation to prevent uplift.
 3. Use screens and gravel packs as necessary to prevent removal of fines from the soil.
- E. Operate the dewatering system continuously, 24 hours a day, 7 days a week until construction work below existing ground water level is completed.
 1. Measure and record the performance of the dewatering system.
 - a. Perform at the same time each day.
 - b. Use piezometers and observation wells.
 2. After placement of initial slabs and backfill, the ground water level may be allowed to rise.
 3. At no time allow ground water to rise higher than 1 foot below the prevailing level of excavation or backfill.
 4. Have a back-up pump and system available for immediate use.
- F. Dispose of water away from the work in suitable manner without damage to adjacent property or menace to public health.
- G. Do not drain water into work being built or under construction without prior acceptance of the Project Manager.
- H. Protect existing storm drainage system from silt and debris resulting from construction activities. If contamination occurs, remove contamination at no cost to the District.

3.6 SITE EXCAVATION

- A. General
 1. All supports, shoring, and sheet piling required for the sides of excavations or for protection of adjacent existing improvements shall be provided and maintained by the Contractor. The adequacy of such systems shall be the complete responsibility of the Contractor.
 2. Earth and rock, regardless of character and subsurface conditions, shall be excavated to depths shown on plans and to the neat dimensions of the footings wherever practicable, to permit pouring of footings and grade beams without use of side forms, except at slab perimeters.
 3. Large rocks, pieces of concrete or other obstructions, if encountered during the excavation/scarifying operations, shall be removed and disposed of by the Contractor off the site in a legal manner.
 4. Where footing excavation is too deep, backfill shall be concrete. Where footings are overdug laterally, side forms shall be employed for backfill with rock fill or concrete backfill shall be used (Contractor’s option).
 5. Where forming is required, only that excavation necessary to permit placing and removal of forms shall be done.

6. Bottoms of all footings and foundations trenches shall be subject to testing by the Geotechnical Engineer. Corrective measures as directed by the Project Manager shall be executed promptly.
- B. Excavate subgrade as required to allow for finish grades shown on plans, as required for structural fill or otherwise required for proper completion of the work.
- C. Remove and replace subgrade materials designated by Geotechnical Engineer as unsuitable.

3.7 FILL AND COMPACTING

- A. See Section 31 23 33 – TRENCHING, BACKFILLING, & COMPACTING for fill and compacting requirements.

3.8 MOISTURE CONTROL

- A. Do not place, spread or roll fill material during unfavorable weather conditions or when fill material is excessively wet.
- B. Do not resume operations until moisture content and fill density are satisfactory to the Geotechnical Engineer.
- C. Provide berms or channels to prevent surface water from flooding excavations. Promptly remove water collecting in depressions.
- D. Where soil has been softened or eroded by flooding or by placement during unfavorable weather, remove damaged areas and recompact as described for fill and compaction.
 1. Where subgrade or layer of soil material must be moisture conditioned before compaction, uniformly apply water to surface of subgrade, or layer of soil material.
 2. Prevent free water appearing on surface during or subsequent to compaction operation.
 3. Remove and replace, or scarify and air dry, soil material too wet to permit compaction to specified density.
 4. Soil material removed because it is too wet to permit compaction may be stockpiled or spread and allowed to dry. Assist drying by discing, harrowing or pulverizing until moisture content is reduced to a satisfactory value.

3.9 GRADING

- A. General: Uniformly grade areas of work including adjacent transition areas. Smooth finished surface within specified tolerances, compact with uniform levels or slopes between points where elevations are shown, or between such points and existing grades.
 1. All areas covered by the project, including excavated and filled areas and adjacent transition areas, shall be uniformly graded so that finished surfaces are at the elevations established by the plans. Planter areas to receive future topsoil shall be graded below finished grade to allow for such material.
 2. Finished surfaces and surfaces to receive paving and aggregate base shall be smooth, compacted, and free from irregular surface drainage.
 3. Ditches, gutters, and swales shall be finished to permit proper surface drainage.
 4. All surface areas, except paved and sloped embankments exceeding 8:1, shall be hydroseeded.
- B. Grading Tolerances:
 1. Excavations shall not exceed 0.10-foot variation from dimensions and elevations shown or noted, unless otherwise approved by Project Manager.
 2. Fill and backfill shall be placed with tolerance of plus or minus 0.10 foot if placed in layers.
 3. Grading shall be done within plus or minus 0.10 foot typically; areas under slabs, walks or pavements shall be graded within tolerance of 0 to 0.10 foot.

4. Lawn or Unpaved Areas: Finish areas to receive topsoil to within not more than 0.10 foot above or below required subgrade elevations.
5. Walks: Shape surface of areas under walks to line, grade and cross-section, with finish surface not more than 0.10 foot above or below required subgrade elevation.
6. Pavements: Shape surface of areas under pavement to line, grade and cross-section, with finish surface not more than ½ inch above or below required subgrade elevation.

- C. Compaction: After grading, compact subgrade surfaces to the depth and percentage of maximum density for each area classification.

3.10 SOIL STERILIZATION

- A. General: Soil sterilant shall be applied to prepared subgrade or after installation of rock or aggregate base as recommended by the manufacturer. Sterilant shall be applied uniformly at the rate recommended by the manufacturer to all areas beneath asphalt concrete pavement, brick pavement, concrete pavement, or on-grade concrete slabs including sidewalks, curbs, and gutters and areas between the inner and outer security fences. In addition to ground areas treated, sterilant shall be applied below expansion or control joints, and at all areas where pipe, ducts, or other features penetrate slabs.

3.11 TERMITICIDE

- A. Termiticide shall be applied to soils as recommended by the manufacturer. Termiticide shall be applied uniformly at the rate recommended by the manufacturer to all areas beneath and around wood frame structures.

3.12 DISPOSAL OF EXCESS AND WASTE MATERIALS

- A. Removal of Excess Excavated Material: Excess material shall be removed by the Contractor off the site in a legal manner.
- B. Testing Agency Services: Allow testing agency to inspect and test each subgrade and each fill or backfill layer. Do not proceed until test results for previously completed work verify compliance with requirements.
 1. Perform field in-place density tests according to ASTM D1556 (sand cone method), ASTM D2167 (Rubber Balloon Method), or ASTM D2937 (Drive Cylinder Method), as applicable.
 - a. Field in-place density tests may also be performed by the nuclear method according to ASTM D2922, provided that calibration curves are periodically checked and adjusted to correlate to tests performed using ASTM D1556. With each density calibration check, check the calibration curves furnished with the moisture gauges according to ASTM D3017.
 - b. When field in-place density tests are performed using nuclear methods, make calibration checks of both density and moisture gauges at beginning of work on each different type of material encountered, and at intervals as directed by the Project Manager.
 2. Footing Subgrade: At footing subgrades, perform at least one test of each soil stratum to verify design bearing capacities. Subsequent verifications and approval of other footing subgrades may be based on a visual comparison of each subgrade with related tested strata when acceptable to the Project Manager.
 3. Paved and Building Slab Areas; At subgrade and at each compacted fill and backfill layer, perform at least one field in-place density test for every 2,000 square feet or less of paved area or building slab, but in no case fewer than three tests.
 4. Foundation Wall Backfill: In each compacted backfill layer, perform at least one field in-place density test for each 100 feet or less of wall length, but no fewer than two tests along a wall face.

5. Trench Backfill: In each compacted initial and final backfill layer, perform at least one filed in-place density test for each 150 feet or less of trench, but not fewer than two tests.

C. Number and location of test shall be at option of the Geotechnical Engineer.

D. When testing agency reports that subgrades, fills, or backfills are below specified density, scarify and moisten or aerate, or remove and replace soil to the depth required, recompact and retest until required density is obtained.

E. After grading is completed and the testing agency has completed observation of the work, permit no further excavation or filling, except as approved by Project Manager.

3.13 PROTECTION

A. Protect newly graded areas from traffic and erosion. Install erosion control mat and straw wattles as directed by the Project Manager. Keep free of trash and debris.

B. Repair and re-establish grades in settled, eroded, and rutted areas to specified tolerances.

C. Where completed compacted areas are disturbed by subsequent construction operation or adverse weather, scarify surface, reshape, compact to required density and provide other corrective work, including retesting, prior to further construction.

3.14 CLEAN-UP

A. Comply with requirements of Section CLEANING.

Section 31 10 00 SITE PREPARATION

PART 1 - GENERAL

1.1 SUMMARY

A. This section describes general requirements, products, and methods of execution relating to site preparation, unless otherwise noted. This section applies to:

1. Surface and subsurface demolition.
2. Backfilling of excavations and depressions.
3. Coordination, demolition and/or relocation of existing utilities.
4. Prior to start of demolition of facilities, shut-off, disconnect, cut, and cap where required, underground utility services to facilities.
5. Removal of A.C. pavement driveway and concrete pavement, concrete pads, and A.C. curbing.
6. Removal of cyclone wire, wood fences and barricades.
7. Removal of storm drainage piping, catch basins, and manholes.
8. Removal of vegetation and trees as specified herein.

B. Contractor shall provide labor, material and equipment required for demolishing, cutting, removing and disposing of existing construction as designated and shown on the Plans for the following as required, unless otherwise noted.

C. Related Sections:

1. Section 31 10 00- EARTHWORK AND GRADING.
2. Section 31 23 33- TRENCHING, BACKFILLING, AND COMPACTING.

1.2 SUBMITTALS

A. Comply with requirements of Section SUBMITTAL PROCEDURES.

B. Submit all permits and certificates required for the project, for record purposes.

C. Demolition schedule and proposed methods and operations.

D. Permits and notices authorizing demolition.

E. Letter or certificates of severance of utilities services from the affected agencies or utilities.

F. Proposed haul route(s) from the demolition worksite to an authorized disposal site.

G. Permit for transport and disposal of debris.

H. Make arrangements of disposing of waste and excess materials at a legally licensed landfill/disposal facility outside worksite and pay cost thereof.

End of Document

- I. Photograph existing conditions of existing structure surfaces, equipments, and adjacent improvements that might be misconstrued as damage related to removal operations. File photographs with Project Manager prior to start of work.
- J. Submit Proposed dust control measures.
- K. Submit Proposed noise control measures.
- L. Work Schedule: Submit a proposed schedule of work items to be performed, and a description of how the work is to be accomplished, for the Project Manager's review.
- M. Report of inspections conducted with the Project Manager before and after performing work.

1.3 QUALITY ASSURANCE

- A. Comply with the following Standards: American National Standards Institute, Inc. "American National Standard Safety Requirements for Demolition" (ANSI A10.6 and A10.8).
- B. Regulatory Agencies:
 - 1. Comply with rules and regulations of State of California, California Code of Regulations, Title 8, Industrial Relations, Chapter 4, Subchapter 4, "Construction Safety Order."
 - 2. Comply with applicable local and state agencies having jurisdiction.
 - 3. Comply with governing EPA notification regulations.
- C. Secure all required Permits or Certificates for demolition or discontinuance of utilities, prior to beginning the work.

1.4 PROJECT CONDITIONS

- A. Disposition of Existing Improvements:
 - 1. All materials indicated to be removed shall become the property of the Contractor; dispose of these outside the project site.
 - a. Do not dispose of removed materials to the general public by sale, gift or in any other manner at the Site.
 - b. These provisions shall not be construed as limiting or prohibiting sale or disposal of such materials at the Site to duly licensed Contractors or material suppliers, provided materials are removed from the construction site by the Contractor.
 - 2. All removal of debris from the site, including removal of inventory to site of storage, is part of this Contract and shall be done by Contractor's employees and no others.
- B. Salvage and Reuse:
 - 1. Where units or items of existing work are designated to be removed and reused in the new work or are to become salvage, remove such units or items

- carefully.
 - a. Use tools and methods that will not damage such units or items.
 - b. Protect underlying or adjoining work from damage.
 - c. Salvaged items shall be cleaned by the Contractor.

- C. Protection:
 - 1. Erect and maintain temporary bracing, shoring, lights, barricades, except construction barricades for subsequent new construction, warning signs, and guards necessary to protect public, the District's employees, finishes, improvements to remain and adjoining property from damage, all in accordance with applicable regulations.
 - 2. Wet down areas affected by this work as required preventing dust and dirt from rising.
- D. Scheduling:
 - 1. Coordinate with the District in scheduling noisy or dirty work.
 - 2. Schedule work at the District's convenience to cause minimal interference with the District's normal operations.
 - 3. Jackhammering shall be coordinated with the District and College to minimize disturbance of classes.
- E. Traffic Circulations: Ensure minimum interference with roads, streets, driveways, sidewalks, and adjacent facilities.
 - 1. Do not close or obstruct public thoroughfares without first obtaining the required permit or permission of the responsible jurisdiction.
 - 2. Where closing of a vehicular or pedestrian traffic circulation route is necessary, provide adequate directional signs to minimize the potential for confusion.

PART 2 - PRODUCTS

Not used.

PART 3 - EXECUTION

3.1 EXAMINATION

- A. Examine areas affected by work of this Section and verify following:
 - 1. Disconnection of utilities as required.
 - 2. That utilities serving occupied portions of buildings on and off the site will not be disturbed or that temporary utility services have been provided.
 - 3. Removal by the District of the District's personal property, movable furniture and equipment items not designated for relocation.
- B. Where existing conditions conflict with representations of the Construction Documents, notify the Project Manager and obtain clarifications. Do not perform work affecting the conflicting conditions until clarification of the conflict is received.

3.2 PREPARATION

- A. Verify that the area to be demolished or removed has been vacated, or adequate space made available to perform the work.
- B. Arrange for, and verify termination of utility services to include removing meters and capping of lines.
- C. Lay out cutting work at Job Site and coordinate with related work for which cutting is required.

3.3 DEMOLITION

- A. If confirmed or suspected hazardous materials are encountered during operations, stop operations immediately and notify the Project Manager.
- B. Perform work in accordance with ANSI A10.6-1969 unless otherwise noted.
- C. Provide noise and dust abatement as required to prevent contamination of adjacent areas.
 - 1. Remove all materials not designated as salvage, in their entirety.
 - 2. Remove building foundations in their entirety, unless otherwise indicated on the plans.
- D. Fill voids in the land left by the removal of existing structures as follows:
 - 1. In accordance with the requirements of Section 31 00 00 – EARTHWORK AND GRADING. Grade finished remaining surface to the contours shown, or if not shown, to match the existing natural contours.
- E. Lower, or remove, heavy structural framing members by hoist or crane.
- F. Concrete and Masonry:
 - 1. Demolish concrete and masonry in sections, less than 3 feet in any direction.
 - 2. Method of cutting shall be limited to saw cutting and torch.

3.4 CUTTING

- A. Make new openings neat.
- B. Do not cut or alter structural members and any utilities including appurtenances unless indicated to do so in the Construction Documents, or written approval is received from the Project Manager.
- C. Take care not to damage reinforcing or structural steel scheduled to remain in place.
- D. Concrete: Cut new openings in concrete by coring and saw cutting. Saw run-bys will not be permitted.

3.5 PREPARATION FOR NEW FINISH WORK

- A. Where demolished surfaces are scheduled to receive new finishes, Contractor shall restore such substrate to a condition ready to receive the scheduled new finishes, including grinding or leveling.

3.6 DISPOSAL OF DEMOLISHED MATERIALS

- A. Promptly dispose of demolished materials. Do not allow demolished materials to accumulate on-site.
- B. Burning of demolished materials off District's property in a legal manner.

3.7 FIELD QUALITY CONTROL

- A. The Project Manager will accompany the Contractor before and after performance of work to observe physical condition of existing structures or improvements involved.

End of Document

Section 31 23 33 TRENCHING, BACKFILLING AND COMPACTING

PART 1 – GENERAL

1.1 SUMMARY

- A. Provide labor, material, equipment, and services necessary to complete the backfilling and compacting as necessary for this project. Section includes, but is not limited to:
 - 1. Select Backfill Material.
 - 2. Aggregate Base.
 - 3. Detectable Tape.
 - 4. Trench Excavation.
 - 5. Pipe Bedding.
 - 6. Trench Backfill.
 - 7. Trench Surfacing.
- B. Work specified in Related Sections:
 - 1. Section 31 10 00 – SITE PREPARATION
 - 2. Section 31 00 00 – EARTHWORK AND GRADING
 - 3. Section 33 10 00 – WATER SYSTEMS
 - 4. Section 33 30 00 – SANITARY SEWER
 - 5. Section 33 40 00 – STORM DRAINAGE

1.2 DEFINITIONS

- A. Engineered Fill:
 - 1. Soil or soil-rock material approved by the Project Manager and transported to the site by the Contractor in order to raise grades or to backfill excavations.
 - 2. Contractor shall provide sufficient tests, and a written statement that all materials brought onto the project site comply with specification requirements.
- B. Excavation: Consists of the removal of material encountered to subgrade elevations.
- C. Subgrade: The uppermost surface of an excavation or the top surface of a fill or backfill immediately below base.
- D. Base: The layer placed between the subgrade and surface pavement in a paving system.
- E. Relative Compaction: In-place dry density of soil expressed as percentage of maximum dry density of same materials, as determined by laboratory test procedure American Society for Testing and Materials (ASTM) D1557.

1.3 SYSTEM DESCRIPTION

- A. Requirements:
 - 1. Comply with the recommendations of the Geotechnical Engineer .
 - 2. Protect existing trees to remain. No grading is permitted under the drip line of protected trees.
 - 3. Excavations for appurtenant structures, such as, but not limited to, manholes, transition structures, junction structure, vaults, valve boxes, catch basins, thrust blocks, and boring pits, shall be deemed to be in the category of trench excavation.
 - 4. Unless otherwise indicated in the Plans, all excavation for pipelines shall be open cut.

1.4 SUBMITTALS

- A. Comply with provisions of Section 01 32 19 – SUBMITTAL PROCEDURES.
- B. Test Reports: Submit the following report for import material directly to the Project Manager from the Contractor's testing services:
 - 1. Compaction test reports for aggregate base.
- C. Submit description of compactors proposed for use when requesting placement of base material.

1.5 QUALITY ASSURANCE

- A. Requirements of Regulatory Agencies:
 - 1. Comply with State of California Business and Transportation Agency, Department of Transportation (Caltrans) latest edition of "Standard Specifications." (CSS).
 - 2. Comply with State of California Code of Regulations (CCR).
 - 3. Comply with State of California Construction Safety Orders, Latest Edition (CAL/OSHA).
- B. Soil Testing:
 - 1. District to engage a geotechnical testing agency, to include compaction testing and for quality control testing during fill operations.
 - 2. Test results will be submitted to the Project Manager.
- C. Codes and Standards:
 - 1. Perform excavation work in compliance with applicable requirements of authorities having jurisdiction.
 - 2. California Department of Transportation (CDT):
 - a. Section 19: Earthwork.
 - b. Standard Test Methods: No. 202.
 - 3. American Society for Testing and Materials (ASTM):
 - a. D1556: Density of Soil by the Sand Cone Method.
 - b. D1557: Moisture Density Relations of Soils and Soil-Aggregate Mixtures

1.6 DELIVERY, STORAGE AND HANDLING

- A. Protect materials before, during and after installation.
- B. Comply with provisions of Section 01 51 00 - TEMPORARY FACILITIES AND CONTROLS where necessary to control dust and noise on and near the work caused by operations during construction activities.

1.7 PROJECT CONDITIONS

- A. Environmental Requirements:
 - 1. Protect existing storm drainage system from silt and debris resulting from construction activities. If contamination occurs, remove contamination at no cost to the District.
 - 2. Protect existing streams, ditches and storm drain inlets during work on this project.
- B. Barricade open excavations and post with warning lights.
 - 1. Comply with requirements of Section 01 51 00 - TEMPORARY FACILITIES AND CONTROLS.
 - 2. Operate warning lights and barricades as required.
 - 3. Protect structures, utilities, sidewalks, pavements, and other facilities immediately adjacent

to excavations, from damages caused by settlement, lateral movement, undermining, washout, and other hazards.

- C. Protection of Subgrade: Do not allow equipment to pump or rut subgrade, stripped areas, footing excavations, or other areas prepared for project.
- D. Transport all excess soils materials by legally approved methods to disposal areas.
 - 1. Coordinate with the Project Manager.
 - 2. Any additional fill requirements shall be the responsibility of the Contractor.

1.8 EXISTING UTILITIES

- A. Locate existing underground utilities in the areas of work. For utilities that are to remain in place, provide adequate means of protection during excavation operations.
 - 1. Locating of existing underground utilities shall include but not be limited to pot-holing prior to the start of construction.
- B. Should uncharted or incorrectly charted piping or other utilities be encountered during excavation, consult Project Manager, Facilities, and/or utility agency immediately for directions.
 - 1. Cooperate with the Project Manager and public and private utility companies in keeping their respective services and facilities in operation.
 - 2. Repair damaged utilities to the satisfaction of the agency with jurisdiction.
- C. Do not interrupt existing utilities serving facilities occupied and used by the District or others, except when permitted in writing by the Project Manager and then only after acceptable temporary utility services have been provided.

1.9 SEQUENCING AND SCHEDULING

- A. The sequence of operations shall be reviewed by the Project Manager prior to commencement of any work.

PART 2 – PRODUCTS

2.1 MATERIALS

- A. General:
 - 1. Import materials will be subject to approval of the Geotechnical Engineer.
 - 2. For approval of imported fill material, notify the Project Manager at least 7 days in advance of intention to import material.

- B. Select backfill material shall be gravel, free of clay or organic matter and shall conform to the following gradation:

Sieve Size	Percentage Passing
1 inch	100
¾ inch	90 – 100
No. 4	35 – 60
No. 200	2 - 9

- C. For gas pipe and fuel piping select backfill shall be clean, graded building sand conforming to the following gradation:

Sieve Size	Percentage Passing
No. 4	100
No. 200	0 - 5

- D. Water: Clean and free from deleterious amounts of acids, alkalis, salts and organic matter.

2.2 BURIED WARNING AND IDENTIFICATION TAPE

- A. Polyethylene plastic and metallic core or metallic-faced, acid- and alkali-resistant, polyethylene plastic warning tape manufactured specifically for warning and identification of buried utility lines. Provide tape on rolls, 75 mm 3 inch minimum width, color coded as specified below for the intended utility with warning and identification imprinted in bold black letters continuously over the entire tape length. Warning and identification to read, "CAUTION, BURIED (intended service) LINE BELOW" or similar wording. Color and printing shall be permanent, unaffected by moisture or soil.
 - 1. Warning Tape Color Codes.
 - Red: Electric.
 - Yellow: Gas, Oil; Dangerous Materials.
 - Orange: Telephone and Other Communications.
 - Blue: Water Systems.
 - Green: Sewer Systems.
 - White: Steam Systems.
 - Gray: Compressed Air.
 - 2. Warning Tape for Metallic Piping: Acid and alkali-resistant polyethylene plastic tape conforming to the width, color, and printing requirements specified above. Minimum thickness of tape shall be 0.003 inch. Tape shall have a minimum strength of 1500 psi lengthwise, and 1250 psi crosswise, with a maximum 350 percent elongation.
 - 3. Detectable Warning Tape for Non-Metallic Piping: Polyethylene plastic tape conforming to the width, color, and printing requirements specified above. Minimum thickness of the tape shall be 0.004 inch. Tape shall have a minimum strength of 1500 psi lengthwise and 1250 psi crosswise. Tape shall be manufactured with integral wires, foil backing, or other means of enabling detection by a metal detector when tape is buried up to 920 mm 3 feet deep. Encase metallic element of the tape in a protective jacket or provide with other means of corrosion protection.

2.3 DETECTION WIRE FOR NON-METALLIC PIPING

- A. Detection wire shall be insulated single strand, solid copper with a minimum of 12 AWG.

PART 3 – EXECUTION

3.1 GENERAL

- A. Prior to commencement of work, become thoroughly familiar with site conditions.
- B. In the event discrepancies are found, immediately notify the Project Manager in writing, indicating the nature and extent of differing conditions.
- C. Backfill excavations as promptly as work permits.
- D. Do not place Engineered fill or backfill until rubbish and deleterious materials have been removed and areas have been approved by the Project Manager.
- E. Place acceptable soil material in layers to required subgrade elevations, for each area classification listed below.
- F. In excavations, use satisfactory excavated or borrow material.

G. Under grassed areas, use satisfactory excavated or borrow material.

3.2 COMPACTING

- A. Compact by power tamping, rolling or combinations thereof.
1. Where impractical to use rollers in close proximity to walls, stairs, etc., compact by mechanical tamping.
 2. Scarify and recompact any layer not attaining compaction until required density is obtained.

3.3 SITE PREPARATION

- A. Protect structures, utilities, sidewalks, pavements, and other facilities, which are to remain, from damage caused by settlement, lateral movement, undermining, washout, and other hazards created by earthwork operations.
- B. Protect existing storm drainage system from silt and debris resulting from construction activities. If contamination occurs, remove contamination at no cost to the District.

3.4 EXISTING UTILITIES

- A. Identify the location of existing utilities.
1. Prior to trenching, the Contractor shall excavate at locations specifically indicated on the Plans, if any, and where new lines cross other utilities of uncertain depth and determine the elevation of the utility in question to ensure that the new line will clear the potential obstruction.
 2. The Contractor shall contact Underground Service Alert (USA) at 1-800-227-2600 for assistance in locating existing utilities.
 3. If, after the excavation, a crossing utility does present an obstruction, then the line and grade of the new line will be adjusted as directed by the Project Manager to clear the utility.
- B. Protect all existing utilities to remain in operation.
- C. Movement of construction machinery and equipment over existing pipes and utilities during construction shall be at Contractor's risk.
- E. Excavation made with power-driven equipment is not permitted within 2 feet of any known utility or subsurface structure.
1. Use hand or light equipment for excavating immediately adjacent to known utilities or for excavations exposing a utility or buried structure.
 2. Start hand or light equipment excavation on each side of the indicated obstruction and continue until the obstruction is uncovered or until clearance for the new grade is assured.
 3. Support uncovered lines or other existing work affected by excavation until approval for backfill is obtained.
 4. Report damage of utility line or subsurface structures immediately to the Project Manager.
- F. Backfill trenches resulting from utility removal in lifts of 8 inches maximum.

3.5 TRENCH EXCAVATION

- A. General
1. Excavation shall include removal of all water and materials that interfere with construction. The Contractor shall remove any water which may be encountered in the trench by pumping or other methods during the pipe laying, bedding and backfill operations. Material shall be sufficiently dry to permit approved jointing.
 2. Excavation shall include the construction and maintenance of bridges required for vehicular and pedestrian traffic, support for adjoining utilities.

3. The Contractor shall be responsible to safely direct vehicular and pedestrian traffic through or around his/her work area at all times.
4. The Contractor shall relocate, reconstruct, replace or repair, at his/her own expense, all improvements which are in the line of construction or which may be damaged, removed, disrupted or otherwise disturbed by the Contractor.

B. Existing Paving and Concrete:

1. Existing pavement over trench shall be sawcut, removed, and hauled away from the job. Existing pavement shall be neatly sawcut along the limits of excavations.
2. Existing concrete over the trench shall be sawcut to a full depth in straight lines either parallel to the curb or at right angles to the alignment of the sidewalk.
3. Boards or other suitable material shall be placed under equipment outrigging to prevent damage to paved surfaces.

C. Trench Width:

1. The maximum allowable trench widths at the top of the pipe shall be as follows:

Pipe Type	Trench Width (Maximum)
Copper	Outside diameter of barrel plus 18 inches
Plastic	"
Vitrified Clay	"
Ductile-Iron	"
Reinforced Concrete	"

 - a. The maximum trench width shall be inclusive of all shoring.
 - b. If the maximum trench width is exceeded, the State's representative may direct the Contractor to encase or cradle the pipe in concrete at no additional charge.
2. For pipes 3 inch diameter and larger, the free working space on each side of the pipe barrel shall not be less than 6 inches.

D. Open Trench:

1. The maximum length of open trench shall be 300 feet or the distance necessary to accommodate the amount of pipe installed in a single day, whichever is greater. No trench shall be left open at the end of the day.
2. Provisions for trench crossings and free access shall be made at all street crossings, driveways, water gate valves, and fire hydrants.

E. Excavation Bracing:

1. The excavation shall be supported and excavation operations shall be conducted in accordance with the California Industrial Accident Commission and CAL/OSHA.
2. The Contractor shall, at his/her own expense, furnish, put in place, and maintain such sheeting and bracing as may be required to support the sides of all excavations (whether above or below the pipe grade), and to prevent any movement which could in any way diminish the required trench section or otherwise injure or delay the work. The sheeting and bracing shall be withdrawn in a manner such as to prevent any earth movement that might overload the pipe.

F. Excavated Material:

1. All excavated material not required for backfill shall be immediately removed and properly disposed of in a legal manner by the Contractor.
2. Material excavated in streets and roadways shall be laid alongside the trench no closer than 2 feet from the trench edge and kept trimmed to minimize inconvenience to public traffic.
3. Provisions shall be made whereby all storm and wastewater can flow uninterrupted in gutters or drainage channels.

3.6 PIPE BEDDING

- A. Bedding Excavation: The trench shall be excavated below the grade of the pipe bottom to the following minimum depths:



Pipe Type	Depth
Copper	6 inch
Reinforced Concrete	6 inch
Plastic: 2 inch diameter and smaller	6 inch
Plastic: over 2 inch diameter	6 inch
Ductile Iron	6 inch

1. Stabilization of Trench Bottom: When the trench bottom is unstable due to wet or spongy foundation, trench bottom shall be stabilized with gravel or crushed rock. The State's inspector will determine the suitability of the trench bottom and the amount of gravel or crushed rock needed to stabilize a soft foundation. Soft material shall be removed and replaced with gravel or crushed rock as necessary.
2. Placement of Bedding Material: The trench bottom shall be cleaned to remove all loose native material prior to placing select backfill material. Sufficient select backfill material shall be placed in trench and tamped to bring trench bottom up to grade of the bottom of pipe. The relative compaction of tamped material shall be not less than 90 percent. It is the intention of these requirements to provide uniform bearing under the full length of pipe to a minimum width of 60 percent of the external diameter.

3.7 TRENCH BACKFILL

A. Initial Backfill:

1. Prior to trench backfill, the condition of the trench and laying of pipe must be inspected and approved by the Inspector of Record.
2. Select backfill material shall be used for initial backfill. After the pipe has been properly laid and inspected, select backfill material shall be placed on both sides of the pipe and compacted to final depth as follows:

Pipe Type	Depth
Copper	12 inches above top of pipe
Plastic: less than 3 inches diameter	12 inches above top of pipe
Plastic: 3 inches diameter and larger	12 inches above top of pipe
Ductile Iron	12 inches above top of pipe
Reinforced Concrete	12 inches above top of pipe

3. Compaction: Initial backfill compaction shall be by mechanical means. The initial backfill material shall be hand tamped in layers not exceeding 4 inches in uncompacted depth and shall be brought up uniformly on both sides of the pipe to avoid bending or distortional stress. After hand tamping, the relative compaction of the initial backfill material shall be not less than 90 percent.
4. Pipe Detection: In trenches containing pressurized plastic pipes, tracer wire shall be placed directly above the pipe and shall be connected to all valves, existing exposed tracer wires, and other appurtenances as appropriate.

B. Subsequent Backfill:

1. Above the level of initial backfill, the trench shall be backfilled with non-expansive native material from trench excavation or with imported select backfill material (Contractor's option). Subsequent backfill shall be free of vegetable matter, stones or lumps exceeding 3 inches in greatest dimension, and other unsatisfactory material. The Inspector of Record shall approve the backfill material prior to placement.
2. Subsequent backfill compaction shall be by mechanical means with backfill material placed in layers not exceeding 8 inches in loose depth. Each layer shall be thoroughly compacted before succeeding layers are placed. The use of machine tampers, except manually held types, shall not be permitted.

3. Subsequent backfill shall be compacted to a relative compaction of not less than 90 percent except the relative compaction shall not be less than 95 percent within 2-1/2 feet of finished permanent surface grade or 1-1/2 feet below the finished subgrade, whichever is greater.

C. Jetting and Ponding:

1. Jetting of trench backfill is not permitted.

D. Compaction Testing:

1. Compaction testing shall be in accordance with California Test Method ASTM D1556 or D1557.

3.8 TRENCH SURFACING

A. Unpaved Areas:

1. In unimproved areas, the trench surface shall be restored to its original condition. No mounds of earth shall be left along the trench. Repair and re-establish grades in settled, eroded, and rutted areas to specified tolerances.
2. Where completed compacted areas are disturbed by subsequent construction operation or adverse weather, scarify surface, reshape, compact to required density and provide other corrective work, including retesting, prior to further construction.

B. Temporary Surfacing:

1. Temporary surfacing shall be a minimum of 2 inches of cutback asphalt on 10 inches of Class 2 aggregate base and shall be placed at all trench locations subject to vehicular or pedestrian traffic.
2. Temporary surfacing shall be laid within one day after backfilling (except where the Contractor elects to place permanent surfacing within this time period).
3. Before the trenching area is opened for traffic, all excess dirt, rock, and debris shall be removed, the street surface shall be swept clean and the pavement shall be washed down with a water truck and pressure nozzle.
4. Temporary surfacing shall be maintained to prevent the occurrence of mudholes and prevent the surface from settling below 1 inch or rising more than 1 inch from the existing pavement grade.

3.9 FILL AND COMPACTING

A. General Requirements:

1. Backfill excavations as promptly as work permits.
2. Do not place Engineered fill or backfill until rubbish and deleterious materials have been removed and areas have been approved by the Project Manager.
3. Place acceptable soil material in layers to required subgrade elevations, for each area classification listed below.
4. In excavations, use satisfactory excavated or borrow material.
5. Under grassed areas, use satisfactory excavated or borrow material.

B. After subgrade compaction has been approved by the Geotechnical Engineer, spread the Engineered fill materials in 6 to 8 inch loose lifts and uniformly mixed during the spreading operation.

1. Bring non-expansive fill materials to or slightly above the optimum moisture content and compacted to at least 85 percent of the maximum laboratory dry density, per ASTM D1557.
2. Bring non-expansive aggregate fill materials to or slightly above the optimum moisture content and compacted to at least 95 percent of the maximum laboratory dry density, per ASTM D1557.
3. Do not compact the top 12 inches of soil in the planting areas.
4. Fill sections greater than 5 feet in depth shall be compacted to at least 95 percent.

C. Repeat compaction procedure until proper grade is attained.

- D. Rocks generated during site earthwork may be used in fill when conforming to material specifications.

3.10 MOISTURE CONTROL

- A. Do not resume operations until moisture content and fill density are satisfactory to the Inspector.

3.11 DISPOSAL OF EXCESS AND WASTE MATERIALS

- A. Testing Services: Allow testing agency to test each backfill layer. Do not proceed until test results for previously completed work verify compliance with requirements.
- B. When testing agency reports that backfills are below specified density, scarify and moisten or aerate, or remove and replace soil to the depth required, recompact and retest until required density is obtained.

3.12 PROTECTION

- A. Repair and re-establish grades in settled, eroded, and rutted areas to specified tolerances.
- B. Where completed compacted areas are disturbed by subsequent construction operation or adverse weather, scarify surface, reshape, compact to required density and provide other corrective work, including retesting, prior to further construction.

3.13 CLEAN-UP

- A. Remove all debris, equipment, tools and materials upon completion prior to final inspections to the satisfactions of the Project Manager.
- B. In unpaved areas without landscaping, cover with straw erosion control blanket. Follow manufacturer's recommendations for installation. Provide and place straw wattles or biodegradable fiber logs across the slope at the midpoint and along the downhill edge of site. No soil is to be left uncovered at the completion of construction.

End of Document

Section 32 10 00 DEMOLITION

PART 1 – GENERAL

1.1 SUMMARY

- A. Provide labor, material, and equipment required for demolishing, cutting, removing and disposing of existing construction as designated or required to provide for new work.
- B. Coordinate all work with capping or sealing of existing utilities.
- C. Related Sections:
 - 1. Section 31 10 00 - SITE PREPARATION
 - 2. Section 31 00 00 - EARTHWORK AND GRADING
 - 3. Section 31 23 33 - TRENCHING, BACKFILLING, AND COMPACTING

1.2 SUBMITTALS

- A. Comply with requirements of the SUBMITTAL PROCEDURES and GENERAL CONDITIONS.

1.3 QUALITY ASSURANCE

- A. Comply with the following Standards: American National Standards Institute, Inc. "American National Standard Safety Requirements for Demolition" (ANSI A10.6 and A10.8).
- B. Regulatory Agencies:
 - 1. Comply with rules and regulations of State of California, California Code of Regulations, Title 8, Industrial Relations, Chapter 4, Subchapter 4, "Construction Safety Order."
 - 2. Comply with applicable local and state agencies having jurisdiction.
 - 3. Comply with governing EPA notification regulations.
 - 4. Comply with applicable state and local regulations regarding dust and noise mitigation during construction.
- C. Secure all required Permits or Certificates for demolition prior to beginning the work.

1.4 PROJECT CONDITIONS

- A. District assumes no responsibility for actual condition of the site to be altered.
 - 1. Conditions existing at time of inspection for bidding purpose will be maintained by District as far as practical.
- B. Disposal of Existing Improvements:
 - 1. All materials removed shall become the property of the Contractor; dispose of these materials outside the project site.
 - a. Do not dispose of removed materials to the general public by sale, gift or in any other manner at the project site.
 - b. These provisions shall not be construed as limiting or prohibiting sale or disposal of such materials at the Site to duly licensed Contractors or material suppliers, provided materials are removed from construction site by the Contractor.
 - 2. All removal of debris from the site, including removal of inventory to site of storage, is part of this Contract and shall be done by Contractor's employees and

no others.

- C. Salvage:
 - 1. Recycle AC pavement and Class II AB where practical.
 - 2. Recycle concrete where practical.
 - 3. Items indicated to be salvaged shall be removed carefully, cleaned, and returned to the District. Coordinate with the Project Manager.
- D. Protection:
 - 1. Erect and maintain temporary bracing, shoring, lights, barricades, except construction barricades for subsequent new construction, warning signs, and guards necessary to protect public, the District's employees, adjacent improvements to remain, and adjoining property from damage, all in accordance with applicable regulations.
 - 2. Wet down areas affected by this work as required to prevent dust and dirt from rising.
- E. Scheduling:
 - 1. Coordinate with the Project Manager in scheduling noisy or dirty work.
 - 2. The Project Manager will supply a schedule of days on which no construction will be allowed.
 - 3. Contractor shall take College schedule into consideration during construction.
 - 4. Coordinate and schedule temporary water shut-downs and temporary water service with the Project Manager, Facilities, and the Water Department, and the Fire Department.
- F. Traffic Circulations: Ensure minimum interference with roads, streets, driveways, sidewalks, and adjacent facilities.
 - 1. Minimize obstruction to thoroughfares by first obtaining the required approval or permission of the responsible jurisdiction.
 - 2. Where closing of a vehicular traffic circulation route is necessary, provide adequate directional signs to minimize the potential for confusion. Provide access at all times for emergency vehicles.
- G. Safety:
 - 1. The Contractor shall take all necessary precautions to eliminate the exposure of workers, students, staff, and the public to asbestos fibers, including but not limited to: dust control measures and measures included in Sections 93106 and 93105 of California Code of Regulations, Title 17.

PART 2 – PRODUCTS

Not Used

PART 3 – EXECUTION

3.1 EXAMINATION:

- A. Where existing conditions conflict with representations of the Construction Documents, notify the Project Manager and obtain clarifications. Do not perform work affecting the conflicting conditions until clarification of the conflict is received.

3.2 PREPARATION

- A. Verify that the area to be demolished or removed has been vacated, and adequate space has been made available to perform the work.

- B. Lay out saw cutting and coordinate with related work for which saw cutting is required.
- C. Contractor shall coordinate and arrange the shut down of utilities serving the site with Facilities, the Fire Department, and the Project Manager.

3.3 DEMOLITION

- A. If known or suspected hazardous materials are encountered during operations, stop operations immediately and notify the Project Manager.
- B. Perform work in accordance with ANSI A10.6-1969 unless otherwise noted.
- C. Provide noise and dust abatement as required to prevent contamination of adjacent areas.
- D. Remove all materials not designated as salvage, in their entirety.
- E. If unknown items such as human remains are encountered during operations, stop operations immediately and notify the Project Manager.
- F. The Project Manager will provide a list of any items to be stockpiled for future use. Stockpile location will be a site on campus determined by the Project Manager.

3.4 DEMOLITION AND REMOVAL OF AC PAVEMENT:

- A. Sawcut pavement at edge of demolition area.
- B. Break pavement and remove.
- C. Remove any base material, gravel, and/or or any other non-native soil.

3.5 SAW CUTTING:

- A. Make new openings neat.
- B. Take care not to damage existing AC pavement to remain in place.

3.6 UTILITY REMOVAL:

- A. Where utility removal is shown on the plans or required for construction, excavate to expose existing utility, demolish and remove the section of pipe or conduit. Cap section of pipe or conduit to remain. Mark end of utility with 12" piece of #4 rebar.
- B. Included in demolition are any appurtenances, including but not limited to valves, valve boxes, and irrigation system components.
- C. Backfill trench in accordance with requirements of Section 31 23 33 – TRENCHING, BACKFILLING, AND COMPACTING.

3.7 DISPOSAL OF DEMOLISHED MATERIALS:

- A. Promptly dispose of demolished materials. Do not allow demolished materials to accumulate on-site.
- B. Burning of demolished materials is prohibited.

Section 32 12 33 PAVING AND SURFACING

3.8 FIELD QUALITY CONTROL:

- A. The Project Manager will accompany the Contractor before and after performance of work to observe physical condition of existing structures or improvements involved.

End of Document

PART 1 - GENERAL

1.1 SUMMARY

- A. Section Includes (but is not necessarily limited to):
1. Asphalt Concrete Paving.
 2. Concrete Paving.
 3. Liquid Asphalt and Asphalt Emulsion.
 4. Aggregate Base.
- B. Related work furnished under other sections but conforming to the provisions of this section:
1. Subgrade preparation.
 2. Aggregate Base installation.
- C. Related Sections:
1. Section 32 00 00 - DEMOLITION
 2. Section 31 17 23 - PAVEMENT MARKING.

1.2 REFERENCES

- A. American Society for Testing and Materials (ASTM):
1. A615: Deformed and Plain Billet-Steel Bars for Concrete Reinforcement.
 2. C150: Portland Cement.
 3. D1557: Moisture Unit Weight Relations of Soils and Aggregate Mixtures Using a 10 lb (4.5 kg) Rammer and 18 in. (457 mm) Drop.
 4. D1682: Breaking Loads and Elongation of Textile Fabrics.
- B. California Code of Regulations (CCR): Title 24, Chapter 2-71, Site development Requirements for Handicapped Accessibility.
- C. California Department of Transportation (C.D.T.):
1. Standard Specifications:
 - a. Section 26 Aggregate Bases.
 - b. Section 37 Bituminous Seals.
 - c. Section 39 Asphalt Concrete.
 - d. Section 51 Concrete Structures.
 - e. Section 52 Reinforcement.
 - f. Section 73 Concrete Curbs and Sidewalks.
 - g. Section 90 Portland Cement Concrete.
 - i. Section 92 Asphalts.
 - j. Section 93 Liquid Asphalts.
 - k. Section 94 Asphaltic Emulsions.
 2. Traffic Manual.
 3. Highway Design.
- D. Institute of Transportation Engineers: Transportation and Traffic Engineering Handbook.

1.3 SUBMITTALS

- A. Requirements: Refer to Section SUBMITTAL PROCEDURES.
- B. Asphalt Concrete Paving:

- 1. Provide two copies of material certificates signed by the material producer and the Contractor, certifying that each material item complies with or exceeds specified requirements.
 - 2. The Contractor shall furnish a certified weight or load slip for each load of material used in the construction of the asphalt concrete pavement.
- C. Concrete Paving: The Contractor shall furnish mill test reports on the cement, reinforcement bars, and aggregates, showing compliance with the respective specifications. The Testing Engineer may make concrete test cylinders and slump tests as deemed necessary to determine compliance with the Specifications.
- D. Liquid Asphalt.
- E. Pavement Reinforcement Fabric.
- F. Tack Coat.
- G. Pavement Reinforcement Mesh.
- H. Structural Geotextile Fabric.

1.4 PROJECT CONDITIONS

- A. Liquid Asphalt and Asphalt Emulsion:
- 1. Prime coat, seal coat, and paint binder shall be applied only when the ambient temperature is above 50° Fahrenheit and when temperature has not been below 35° Fahrenheit for 12 hours immediately prior to application.
 - 2. Prime coat, fog coat, seal coat, and paint binder shall not be applied when base or surfaces are wet or contain excess moisture.
- B. Asphalt Concrete Paving: Asphalt concrete surfaces shall be constructed only when ambient temperature is above 50° Fahrenheit and when base is dry.

1.5 GENERAL DESIGN CRITERIA

- A. Services Areas: Approach ramps, driveways, and paved work areas in excess of 4 percent slope shall be provided with a rough texture for non-skid surface.
- B. Walks and Paths: Concrete exterior slabs (walks, terraces, etc.) shall have a pitch of at least 1 percent.
- C. Pavement Markings: All traffic control striping and pavement markings shall conform to the standards illustrated in the C.D.T. Standard Plans Book issued May 2006, General Road Work Section.

PART 2 - PRODUCTS

2.1 PAVING MATERIALS

- A. Aggregate Base: Aggregate base shall conform to Caltrans Class 2 (R value 78 min) aggregate base, 3/4" maximum size, as specified in Section 26 of the C.D.T. Standard Specifications.
- B. Asphalt Concrete Paving:
- 1. Paving asphalt to be mixed with aggregate shall be steam-refined asphalt, AR-4000, conforming to Section 92 of the C.D.T. Standard Specifications.

- 2. Mineral aggregate shall be Type B mineral aggregate as specified in Section 39 of the C.D.T. Standard Specifications.
- 3. Maximum aggregate size shall be as follows:

<u>A.C. Thickness</u>	<u>Max. Ag.</u>
a. 3/4" - 1 1/2"	1/2"
b. 2 & 2 1/2"	1/2"
c. 3" & 4"	3/4"
- 4. Liquid asphalt for prime coat shall be Grade SC-70 in conformance with Section 93 of the C.D.T. Standard Specifications.
- 5. Asphaltic emulsion for paint binder, fog coat, and seal coat shall be emulsified asphalt, Type SS-1h, conforming to Section 94 of the C.D.T. Standard Specifications.

- C. Portland Cement Concrete:
- 1. Concrete shall be Class A concrete conforming to Section 90 of the C.D.T. Standard Specifications.
 - 2. Cement shall be Type II cement conforming to ASTM C150 as modified by Section 90 of the C.D.T. Standard Specifications.
 - 3. Aggregate shall be 3/4-inch maximum size conforming to Section 90 of the C.D.T. Standard Specifications.
 - 4. Water shall be potable and free of organic matter and injurious amounts of oil, acid, alkali, or other deleterious substances.
 - 5. Reinforcing bars shall be deformed and shall conform to ASTM A615.
 - 6. Filled joints, unless noted otherwise on the Drawings, shall be 1/4-inch thick, the full depth of the concrete section and conforming to Section 51 of the C.D.T. Standard Specifications.
 - 7. Joint filler shall conform to Section 51 of the C.D.T. Standard Specifications for pre-molded expansion joint filler and expanded polystyrene joint filler.
 - 8. No admixtures will be allowed without prior approval of the Project Manager.
- D. Pavement Reinforcement Fabric: Pavement reinforcement fabric shall meet Caltrans Section 88-1.02, BP Petromat or approved equivalent.
- E. Crack Sealant:
- 1. Crack sealant shall be rubberized hot-pour type and shall meet ASTM D 3405, Husky 1611 or approved equivalent.
 - 2. Blotting Agent shall be one of: Screened sand, cement, or fly ash.
- F. Tack coat: Tack coat shall meet Caltrans Section 39-4.02.
- G. Pavement reinforcement mesh: Pavement reinforcement mesh for use in Type 2 Overlay shall be Glasgrid Model 8501 or approved equivalent.
- H. Structural geotextile fabric: Structural geotextile fabric shall be Mirafi 500X or approved equivalent.

PART 3 - EXECUTION

3.1 PREPARATION

- A. Subgrade and Aggregate Base:
- 1. Prepare a subgrade and over excavation paragraph reference 3.4 of Section 31 00 00- EARTHWORK AND GRADING.

2. Aggregate base shall be compacted to 95 percent ASTM D1557. Sections 26-1.04B and 26-1.05 of the C.D.T. Standard Specifications shall apply.
3. Soil sterilant shall be applied to prepared subgrade or after installation of rock or aggregate base uniformly at the rate recommended by the manufacturer.

B. Crack Sealing:

1. Before sealing, cracks shall be cleared of dirt, dust, and all other deleterious materials to a depth of 1/4-inch to 1/2-inch.
2. Cracks 1/8-inch in width and greater shall be sealed.
3. Application of crack sealer shall be in accordance with the manufacturer's recommendations unless otherwise directed.

3.2 ASPHALT CONCRETE PAVING

A. General:

1. Asphalt concrete shall be proportioned, mixed, placed, spread, and compacted in conformance with Section 39 of the C.D.T. Standard Specifications.
2. Before placing asphalt concrete on untreated base, a liquid asphalt prime coat shall be applied to the base course in conformance with Section 39 of the C.D.T. Standard Specifications. Prime coat shall be applied at the rate of 0.25 gallons per square yard.
3. Before placing asphalt concrete, an asphalt emulsion tack coat shall be applied to all vertical surfaces of existing pavement, curbs, gutters, construction joints, and all existing pavement to be surfaced, in conformance with Section 39 of the C.D.T. Standard Specifications.
4. Spreading and compacting asphalt concrete shall be performed in accordance with Section 39 of the C.D.T. Standard Specifications.
5. Fog seal shall be applied to all finished surfaces of asphalt concrete pavement at a rate of 0.05 gallons per square yard, in accordance with Section 37 of the C.D.T. Standard Specifications.
6. After fog seal has been applied, ample time shall be allowed for drying before traffic is allowed on the pavement or paint striping is applied.

3.3 CONCRETE CONSTRUCTION

A. General:

1. All concrete shall be mixed in accordance with applicable provisions of Section 90 of the C.D.T. Standards Specifications.
2. Construction of concrete substructures shall conform to applicable provisions of Section 51 of the C.D.T. Standard Specifications. Unless noted otherwise in the Specifications, all exposed surfaces of structure shall have Class 1 surface finish or finished to match existing adjacent paving.
5. No pigment shall be used in curing compounds for construction of concrete curbs, gutters, and structures.
6. All work shall be subject to field inspection. No concrete shall be placed until the Project Manager has approved the forms and reinforcement.
7. Expansion joints on curbs and gutters shall be placed 20 feet on centers, adjacent to structures, and at all returns, and shall be filled with joint filler. Control joints shall be formed 10 feet on centers. The score shall 1-inch deep minimum.
8. Concrete shall not be dropped freely where reinforcing bars will cause segregation, nor shall it be dropped freely more than 6 feet. Spouts, elephant trunks, or other approved means shall be used to prevent segregation.

3.4 FIELD QUALITY CONTROL

A. Asphalt Concrete Paving:

1. The specified thickness of the finished pavement shall be the minimum acceptable.
2. Conforms shall form a smooth, pond-free transition between existing and new pavement.
3. Depressions in paving between high spots are not to exceed 1/8-inch when measured below a

- 10 feet long straight edged placed anywhere on surface in any direction.
4. The finished asphalt pavement shall have positive drainage without ponding.

3.6 CLEANUP

A. General:

1. Surplus material remaining upon completion of paving operations shall become the property of the Contractor, to be removed from the work site and disposed of in a lawful manner.
2. Surfaces shall be left in a clean, neat, and workmanlike condition, and all construction waste, rubbish, and debris shall be removed from the work site and disposed of in a lawful manner.

End of Document

Section 32 17 23 PAVEMENT MARKING

PART 1 – GENERAL

1.1 SUMMARY:

- A. Provide requirements for materials, fabrications, and installation of traffic control and pavement markings.

1.2 SUBMITTALS:

- A. Submit manufacturer's product data describing application of products and compliance with VOC requirements.
- B. Shop Drawings: Show complete layout and location of pavement markings prior to demolition or obliteration of the existing markings.
- C. Submit samples as follows:
 - 1. Traffic paint.
 - 2. Pavement markers and adhesives.
 - 3. ReflectORIZED markers and posts.

1.3 DELIVERY, STORAGE AND HANDLING:

- A. Comply with Division 1 requirements, specifications, and the Project Manager.
- B. Deliver and store packaged products in original containers with seals unbroken and labels intact until time of installation.
- C. Provide proper facilities for handling and storage of products to prevent damage. Where necessary, stack products off ground on level platform, fully protected from weather.

PART 2 – PRODUCTS

2.1 MATERIALS:

- A. Traffic Marking and Symbol Paint: Water-Born, Fast-Dry, Traffic Paint distributed by Fuller-O'Brien Corp. D.J. Simpson (#108-273, White); (#108-280, Blue); or approved equivalent.
- B. Handicapped Symbol Background Paint: Blue Color. Glidden Co. "Glid-Guard Lifemaster Finish No. 5200 /series, Color 1/M 79", or approved equivalent.
- C. Thermoplastic Stripes and Markings:
 - 4. Thermoplastic stripes and makings shall be hot applied conforming to CSS Section 84 and shall be Cataphote-Catatherm brand, Pavemark thermoplastic brand, or approved equal.
 - 5. Thermoplastic stripes and markings shall have a minimum skid friction value of BPN 35.
- D. Pavement Markers and Adhesives:
 - 6. Fire hydrant pavement markers shall be two-way retroflective "Blue" markers and shall conform to the applicable requirements of CSS Section 85.
 - 7. Adhesive for pavement markers shall be standard set epoxy adhesive conforming to the requirements of CSS Section 95-2.05.

PART 3 - EXECUTION

3.1 INSPECTION:

- A. Examine receiving surfaces and verify that surfaces are clean and proper for installation.
- B. Do not start work until unsatisfactory conditions have been corrected.

3.2 APPLICATION:

- A. Preparation:
 - 1. Clean and prepare surfaces to receive traffic paint in accordance with CSS Section 84-3.05 and these special provisions. Where required, remove existing striping and markings by wet blasting or equivalent method. Do not use dry sandblasting or other dust producing methods.
- B. Traffic Paint:
 - 1. Traffic paint shall be machine applied in accordance with CSS Section 84-3.04.
- C. Striping Layout:
 - 1. Traffic stripe shall be single and double, solid and broken, and of the color to match existing conditions.
 - 2. Traffic striping shall be placed in patterns to match existing conditions, contractor shall document.
- D. Thermoplastic Stripes and Markings:
 - 1. Thermoplastic stripes and markings shall be applied hot in conformance with manufacturer's recommended instructions and the applicable requirements of CSS Section 84-2.06.
- E. Pavement Markers:
 - 1. Blue pavement markers shall be installed to delineate the location of fire hydrants along campus roads or as shown on plans. No markers shall be installed until the surface has been approved by the Project Manager and until at least 10 days after the slurry seal on asphalt concrete has been placed. Place markers in accordance with CSS Section 85-1.06.
- F. Apply marking paint in accordance with approved manufacturer's recommendations.
- G. Density of paint coverage shall hide color and texture of substate.
- H. Parking Stripes: Paint four inches wide unless otherwise noted.
- I. Symbol Marking: Paint to match existing conditions.

3.3 CLEANING AND PROTECTION:

- A. Comply with requirements of Section CLEANING.
- B. Upon completion of work, remove surplus materials and rubbish and clean off spilled or splattered paint resulting from this work.
- C. Permit no surface traffic until pavement and symbol marking has dried thoroughly.

End of Document

SECTION 32 32 13

PORTLAND CEMENT CONCRETE RETAINING WALLS

PART 1 - GENERAL

1.1 SUMMARY

- A. This section describes general requirements, products, and methods of execution relating to on-site Portland Cement Concrete Retaining Walls, unless otherwise noted:
 - 1. Concrete mix design.
 - 2. Formwork.
 - 3. Reinforcement.
 - 4. Removal of unused concrete and materials.
- B. Contractor shall provide all labor, equipment, materials, and testing services unless otherwise noted.
- C. Related Sections:
 - 1. Section 31 10 00 - SITE PREPARATION.
 - 2. Section 31 23 33 – TRENCHING, BACKFILLING, & COMPACTING.

1.2 SUBMITTALS

- A. Comply with requirements of Section 01 33 00 SUBMITTALS.
- B. Submit product data for proprietary materials and items, admixtures, joint systems, curing compounds, dry-shake finish materials, and others if requested by District.
- C. Submit design mixes for each class of concrete. Include revised mix proportions when characteristics of materials, project conditions, weather, test results, or other circumstances warrant adjustments.
- D. Submit laboratory test reports for evaluation of concrete materials and mix design tests.
- E. Provide material certificates in lieu of material laboratory test reports when permitted by Architect.
 - 1. Provide material certificates signed by manufacturer and Contractor certifying that each material item complies with or exceeds requirements.
 - 2. Provide certification from admixture manufacturers that chloride content complies with requirements.
- F. Shop Drawings: Submit shop drawings showing elevations, control joint layout, finish, and rebar schedule.

1.3 QUALITY ASSURANCE

- A. Comply with latest edition of the following standards and regulations:
 - 1. American Society for Testing and Materials (ASTM).
 - 2. California Department of Transportation (CALTRANS) Standard Plans (CSP) and Standard Specifications (CSS).
 - 3. American Concrete Institute (ACI).
 - 4. Local requirements where they are applicable.
- B. Prevent damage to adjacent concrete curbs, walks, utilities, walls, etc., during installation.
 - 1. Repair any damage to concrete edges or breaks in concrete at no cost to the District, by removal and replacement of complete sections.
 - 2. Patching will not be acceptable.
- C. The sequence of operations shall be reviewed by the District's Representative prior to commencement of any work.

1.4 SITE CONDITIONS

- A. Submit to District in writing any discrepancy between existing conditions and the Contract Documents.
- B. Commencement of any part of the work shall constitute acceptance of existing site conditions as satisfactory.
- C. Provide protection of materials if required by weather conditions so as not to compromise the quality of work.
- D. Provide protection of surfaces adjacent to work.
- E. Traffic Control: Maintain access for vehicular and pedestrian traffic as required by District.

PART 2 - PRODUCTS

2.1 CONCRETE

- A. Provide concrete materials conforming to the applicable requirements for Portland Cement Concrete as specified in CSS Section 90 Portland Cement Concrete (P.C.C.) for ASTM Type II P.C.C., Class 1 Concrete.
 - 1. Concrete shall not contain less than 675 lb of Portland cement per cubic yard.
 - 2. Concrete shall have a 4000 psi, 28-day compressive strength.
 - 3. Concrete shall have a water-cement ratio of 0.44 maximum (non-air-entrained), or 0.35 maximum (air-entrained).
 - 4. Mix design adjustments may be requested when materials, job conditions,



weather, test results, or other circumstances warrant adjustment. Laboratory tests must be submitted to and accepted by the District's representative before using in work.

- B. Aggregate for normal weight concrete shall be free of deleterious material and conform to CSS Section 90-3.04, 1 inch maximum grading.
 - 1. Coarse Aggregate shall conform to CSS Section 90-2.02A.
 - 2. Fine Aggregate shall conform to CSS Section 90-2.02B.
- C. Water: Water shall be clean and potable.
- D. Admixtures: Admixtures may be used with approval of the Engineer. If more than one admixture is used, Contractor shall certify that all admixtures are compatible. Admixtures shall conform to CSS Section 90-4.
- E. Slump Limit: Slump shall be not less than 1 inch and not more than 4 inches.
- F. Patching Mortar: Mortar shall conform to CSS Section 51-1.135. Color shall match surrounding concrete.
- G. Grout: Non Shrink Grout shall be factory pre-mixed conforming to ASTM C1107, Grade B, capable of developing 2400 psi in 48 hours, 7000 psi in 28 days.

2.2 FORMS

- A. General: Provide forms of wood or steel, straight and of sufficient strength and stiffness to resist springing during depositing and consolidating concrete, of a height equal to the full depth of the finished concrete, and conforming to CSS Section 51.105 Forms, unless otherwise specified.
- B. Wood forms:
 - 1. Use minimum 5/8-inch thick plywood complying with U.S. Product Standard PS 1 for s for Concrete Form plywood for exposed surfaces.
 - 2. Wood forms for exposed surfaces shall be straight and free from warp, twist, loose knots, splits or other defects.
 - 3. Wood forms for unexposed surfaces shall be of sufficient strength and stiffness to hold concrete properly in place.
- C. Steel forms:
 - 1. Provide channel-formed sections with a flat top surface and with welded braces at each end and at not less than 2 intermediate points.
 - 2. Form ends shall be interlocked and self-aligning.
 - 3. Forms shall include flexible forms for radius forming, corner forms, form spreaders, and fillers.
 - 4. Stake pins shall be solid steel rods with chamfered heads and pointed tips, designed for use with steel forms.

- D. Form ties: Form ties shall be snap-off metal of fixed length, leaving no metal within 1-1/2 inch of surface and no fractures or other surface defects larger than 1 inch in diameter. Manufactured by Burke, Dayton, or approved equivalent.
- E. Chamfer strips: Chamfer strips shall be rigid PVC, 3/4 inch x 3/4 inch or 1 inch x 1 inch size, as indicated on the Plans.
- F. Form release agent: Form release agent shall be a colorless, non-staining agent, free from oils, that shall not impair bonding of paint or other coatings.

2.3 OTHER MATERIALS

A. Concrete Curing Material:

- 1. Burlap: Conforming to AASHTO M182 with a weight of 14 ounces or more per square yard when dry.
- 2. Impervious Sheeting: Comply with ASTM C171.
- 3. Liquid Membrane Curing Compound: Comply with ASTM C309. Provide curing compound free of paraffin or petroleum.

B. Expansion Joint Fillers: Comply with ASTM D1751 or provide a resin-impregnated fiberboard conforming to the physical requirements of ASTM D1752.

C. Reinforcement: Provide dowels, reinforcement bars and welded wire mesh conforming to the requirements in CSS Section 52, Reinforcement, as required in the Plans.

PART 3 - EXECUTION

3.1 EXAMINATION

- A. Examine the surfaces and areas at the locations for the retaining walls to establish acceptable conditions.
 - 1. Examine areas where formwork will be constructed and verify that:
 - a. The excavations are sufficient to permit placement, inspection, and removal of forms.
 - b. The excavations for earth forms have been neatly and accurately cut.
 - c. Conditions are otherwise proper for formwork construction.
 - 2. Verify that formwork is complete.
 - 3. Verify that the excavation is free of debris and excess water.
- B. Coordinate size and location of openings and penetrations in the concrete.
- C. Coordinate location of items to be embedded into the concrete.
- D. If unsuitable conditions are found, immediately notify the District's Representative in writing, indicating the nature and extent of the unsuitable conditions.

- E. Do not begin installation until defects have been corrected.

3.2 SUBGRADE PREPARATION

- A. Remove material deflecting more than 1/2 inch under the roller to a depth of 4 inches below subgrade elevation and replace with an approved granular material.
 - 1. Compact new material as specified in Section 31 23 33 – TRENCHING, BACKFILLING, & COMPACTING, or as shown in the Construction Documents.
 - 2. Test completed subgrade for grade and cross section with a template extending the full width of the footing and supported between side forms.
 - 3. Provide subgrade of materials equal in bearing quality to the subgrade under the adjacent pavement.
 - 4. Place and compact additional subgrade material as needed.
- B. Maintenance of Subgrade:
 - 1. Maintain subgrade in a smooth, compacted condition, in conformity with the required section until the concrete is placed.
 - 2. Prepare and protect subgrade so as to produce a subgrade free from frost and excessive moisture when the concrete is deposited.

3.3 FORM SETTING

- A. Construct formwork to produce concrete surfaces to the tolerances of ACI 301.
- B. Provide temporary ports in formwork to facilitate cleaning and inspections. Locate openings at the bottom or forms to allow flushing water to drain. Close ports with tight-fitting panels, flush with the inside face of the forms, neatly fitted so that joints will not be apparent in exposed concrete surfaces.
- C. Provide chamfer strips on external corners of walls.
- D. At exposed surfaces, keep the number of panel joints to a practical minimum. Insure vertical joints are plumb and horizontal joints are level.
- E. After forms are set, check grade and alignment with a 10-foot straightedge.
 - 1. Forms shall conform to line and grade with an allowable tolerance of 1/4 inch in any 10-foot long section.
 - 2. Forms shall have a transverse slope with the low side adjacent to the roadway unless otherwise indicated on Drawings.
- F. Form release agent:
 - 1. Apply a coating of form release agent immediately before use, but prior to installation of reinforcing steel and embedded items.
 - 2. Do not apply agent where concrete surfaces are scheduled to receive special

- finishes which may be affected by the agent.
- 3. Soak contact surfaces of untreated forms with clean water.

G. Embedded parts and openings:

- 1. Provide formed openings for work passing through concrete where indicated on Electrical drawings.
- 2. Do not install sleeves or openings, except as indicated on the Plans, without approval of the Engineer.
- 3. Properly locate and place inserts and embedded items required by work prior to casting concrete.

H. Expansion Joints:

- 1. Provide expansion joints and isolation joints where shown or noted on the Plans.
- 2. Provide sealed joints where concrete surface remains exposed to view or at conditions with non-bituminous or liquid waterproofing, unless otherwise shown or noted.
- 3. Place joint filler in straight line with edge held back to specified dimension from finish surface and secure to formwork or previously placed construction.
- 4. Use fiber type joints typically and hold edge back 1/4 inch from concrete surface.
- 5. Use cork type joint fillers at sealed joints and hold edge back 1/2 inch.
- 6. After curing concrete, carefully clean, prime and fill joints with sealant to 1/4 inch from the finished surface in accordance with manufacturer's recommendations.

I. Do not remove side forms within 12 hours after finishing has been completed.

3.4 EARTH FORMS

- A. Footing forms may be omitted and foundation concrete may be placed directly into neatly and accurately cut excavations, provided that the walls are stable as determined by the Geotechnical Engineer, subject to approval by the Engineer.
- B. Where sides are deemed unstable or excavations are not accurately cut to tolerances of ACI 301, construct forms to the extent required.
- C. Remove loose dirt prior to placing concrete.

3.5 FORM REMOVAL

- A. Do not remove forms until concrete has hardened and attained sufficient strength to permit safe removal and adequate support of adjacent loads.
- B. Remove forms carefully to avoid damaging corners and edges of exposed concrete. Prying against the face of concrete is not allowed.
- C. Curing, where forms are removed in less than 14 days, shall be continued as follows:
 - 1. Wet down concrete immediately after stripping.

2. Apply curing compound as soon as areas are surface dry.

D. After concrete is placed, forms and shores shall remain in place for not less than 7 days for wall forms and 3 days for side forms of slabs and foundations.

3.6 REUSE OF FORMS

A. The District's Representative will approve reuse of forms. Forms shall be straight, clean, free from nails, hardened concrete, and other deleterious matter. Edges and surfaces should be in good condition.

B. Clean and repair all damage caused by placing, removal, or storage. Reuse of formwork with patches or repairs that could affect the exposed concrete finish will not be permitted.

C. Forms shall not be reused for Architectural Concrete if there is any evidence of surface damage or defect which could affect the quality of the surface.

D. Reseal form faces as required to achieve concrete of specified quality.

3.7 REINFORCEMENT PLACEMENT

A. Place bars at locations shown on the Plans, maintaining minimum cover, to the following tolerances:

1. Clear distance to formed surfaces: Plus or minus 1/4 inch.
2. Top bars in slabs 8 inches deep or less: Plus or minus 1/4 inch.
3. Top bars in beams and slabs over 8 inches deep: Plus 1/4 inch and minus 1/2 inch.
4. Bar Spacing: Plus or minus one inch, but not less than minimum spacing.
5. Ends of Bars: Plus or minus 2 inches, except plus or minus 1/2 inch at discontinuous ends.

B. Comply with Concrete Reinforcing Steel Institute's recommended practice for "Placing Reinforcing Bars," for details and methods of reinforcement placement and supports, and as herein specified.

C. Clean reinforcement of loose rust and mill scale, earth, ice, and other bond-reducing materials.

D. Locate and support reinforcing by metal chairs, runners, bolsters, spacers, and hangers.

E. Accurately position, support and secure reinforcement against displacement by formwork, construction, or concrete placement operations.

F. Place reinforcement to obtain at least minimum coverage for concrete protection.

1. Arrange, space and securely tie bars and bar supports to hold reinforcement in position during concrete placement operations.

2. Set wire ties so ends are directed into concrete, not toward exposed concrete surfaces.

G. Reinforcement to be welded shall conform to requirement of American Welding Society Specifications, AWS D12.1.

1. If mill test reports are not available, chemical analysis shall be made of bars representative of the bars to be welded.

2. ASTM A706 bars may be assumed to have a carbon equivalent (C.E.) not exceeding 0.55. Bars with a C.E. above 0.75 shall not be welded.

3. Welding shall not be done on or within two bar diameters of any bent portion of a bar which has been bent cold.

4. Welding of crossing bars shall not be permitted for assembly of reinforcement unless authorized by the Structural Engineer of Record and approved by the Inspector of Record.

5. Welding is not permitted unless specifically detailed on plans or approved by Architect.

H. Splicing: Make splices only at those locations shown on the Plans or as accepted by the Owner's Representative. Stagger splices in adjacent bars wherever possible.

I. Dowels: Dowels shall be tied securely in place before concrete is deposited. In the event there are no bars in position to which dowel may be tied, No. 3 bars (minimum) shall be added to provide proper support and anchorage.

J. Install deformed bar anchors in accordance with the manufacturer's recommendations.

K. Install mechanical splices and reinforcing couplers in accordance with manufacturer's recommendations.

L. Reinforcement shall not be bent after being embedded in hardened concrete.

M. Protection Against Rust

1. Where there is danger of rust staining adjacent surfaces, wrap reinforcement with impervious tape or otherwise prevent rust staining.

2. Remove protective materials and clean reinforcement as required before proceeding with concrete placement.

3.8 CONCRETE PLACEMENT

A. Placing Record: Record time, date and location of concrete placement; maintain record open to inspection by the Inspector-of-Record.

B. Place concrete in accordance with ACI 301, or CSS Section 51-1.09 Placing Concrete.

C. Convey concrete as rapidly and directly as practicable to preserve quality and to prevent separation.

1. Do not deposit concrete which has initially set.
 2. Retempering of concrete which has partially set will not be permitted.
- D. The free vertical drop of the concrete deposited at any point in forms during conveying shall not exceed 3 feet. Chutes may be issued only where they discharge into a hopper before distribution.
- E. Deposit concrete in a continuous operation to permit proper and thorough integration.
1. Carry work started in a section continuously to construction joint.
 2. Place concrete at rate and in such manner that concrete surfaces not carried to joint levels will not attain initial set before additional concrete is placed.
 3. Use equipment that will permit the concrete to be placed in a manner that will prevent segregation and accumulations or hardened concrete above the level of the concrete.
- F. Keep forms and reinforcement clean above pour line by removing clinging concrete.
- G. Cold Weather Placement: Protect concrete work from physical damage or reduced strength which could be caused by frost, freezing, or low temperatures, in compliance with ACI 306 and as herein specified.
1. When air temperature has fallen to or is expected to generally fall below 40 degrees F (4 degrees C), uniformly heat water and aggregates before mixing to obtain a concrete mixture temperature of not less than 50 degrees F (10 degrees C), and not more than 80 degrees F (27 degrees C) at point of placement.
 2. Thin upper level slabs should obtain a concrete mixture temperature of not less than 55 degrees F (13 degrees C).
 3. Do not use frozen materials or materials containing ice or snow.
 4. Do not place concrete on frozen subgrade or on subgrade containing frozen materials.
 5. Do not use calcium chloride, salt and other mineral containing anti-freeze agents or chemical accelerators, unless otherwise accepted by Architect.
- H. Hot Weather Placement: When hot weather conditions exist that would seriously impair quality and strength of concrete, place concrete in compliance with ACI 305 and as herein specified.
1. Cool ingredients before mixing to maintain concrete temperature at time of placement below 90 degrees F (32 degrees C). Mixing water may be chilled, or chopped ice may be used to control concrete temperature provided water equivalent of ice is calculated to total amount of mixing water.
 2. Place concrete immediately upon delivery. Keep exposed concrete surfaces, and formed shaft extensions, moist by fog sprays, wet burlap or other effective means.
 3. Do not use retarding admixtures without acceptance of Architect.
- I. Consolidation:

1. Use internal vibrators for thorough consolidation of all concrete, in compliance with ACI 309 and as herein specified. Use largest size and most powerful vibrators that can be accommodated in the work.
2. Do not place vibrators against reinforcement, attach to forms, or use to spread concrete.
3. Exposed Concrete: Vibrate with rubber type heads and spade along forms with flat strap or plate.
4. Architectural Concrete:
 - a. Proper placement and thorough compaction of architectural concrete are critical.
 - b. Place vibrators in the concrete rapidly to minimize entrapped air between the concrete and the form and to blend the two layers.
 - c. Insert vibrators in accordance with manufacturer's recommended radius of influence.
 - d. Use a minimum of three 180-cycle motor-in-head vibrators for concrete placing. Minimum frequency 9,000 impulses per minute, minimum head diameter 1-1/2 inches.
5. Keep vibrator heads a minimum of 2-1/2 inches from the architectural concrete face.
6. If, during the placing operation, there is any delay of more than 15 minutes, the previous lift will be manipulated with the vibrators just prior to the placement of fresh concrete.

3.9 FINISHING

- A. Finish of formed surfaces to be smooth and free of fins, honeycomb, or segregation. When defects occur, they are to be remedied by chipping cavities and patching, or by other methods approved by Owner.
- B. Exposed surfaces to be "sacked" by rubbing cement mortar into voids with burlap or canvas. Fins to be ground smooth and loose mortar to be removed.
- C. Vertical edges of the walls to have 3/4-inch chamfer.
- D. Horizontal edges of the walls to have 1/2-inch chamfer.
- E. Unformed surfaces to be steel troweled to a smooth dense finish. After the trowel finish has sufficiently hardened, walking surfaces of the entire surface to be given a medium broom finish perpendicular to the direction of travel. The broom finish to be applied just prior to the application of the curing compound/sealer.

3.10 CURING AND PROTECTION

- A. General: Protect freshly placed concrete from premature drying and excessive cold or hot temperature in accordance with ACI 308 and as specified herein.
 1. Start initial curing as soon as free water has disappeared from concrete surface after placing and finishing concrete. Weather permitting, keep continuously moist for not less than 7 days.

- 2. Begin final curing procedures immediately following initial curing and before concrete has dried.
- 3. Continue final curing for at least 7 days in accordance with ACI 301 procedures.
- 4. Avoid rapid drying at end of final curing period.

B. Curing Methods: Perform curing of concrete by moist curing (Mat Method), by moisture-retaining cover curing (Impervious Sheeting Method), by curing compound (Membrane Curing Method), or by combinations thereof.

- 1. Mat Method: Provide moist curing by any of the following methods to keep concrete surface continuously wet:

C. Cover concrete continuously with water.

D. Provide a continuous water fog spray.

E. Cover concrete with a saturated absorptive mat. Prior to placing mats on concrete surface, thoroughly wet the exposed surface with water. Cover the entire exposed surface with 2 or more layers of burlap. Mats shall overlap each other at least 6 inches. Continuously keep mats in a saturated condition and in intimate contact with concrete for not less than 7 days.

F. Impervious Sheeting Method: Provide moisture-cover curing as follows:

- 1. Wet the entire exposed surface with a fine spray of water and then cover with impervious sheeting material.
- 2. Lay sheets directly on the concrete surface, placed in widest practicable width with sides and ends lapped at least 12 inches when a continuous sheet is not used.
- 3. Provide impervious sheeting at least 18 inches wider than the concrete surface to be cured.
- 4. Securely weigh sheeting down with heavy wood planks, or by placing a bank of moist earth along edges and laps in the sheets, or by sealing with waterproof tape or adhesive.
- 5. Immediately repair any holes or tears in cover during curing period using cover material and waterproof tape.
- 6. Sheets shall be satisfactorily repaired or replaced if torn or otherwise damaged during curing.
 - a. The curing sheet shall remain on the concrete surface to be cured for not less than 7 days.

G. Membrane Curing Method: Provide curing compound to slabs as follows:

- 1. Cover the entire exposed surface with a membrane-forming curing compound.
- 2. Apply specified curing and sealing compound as soon as final finishing operations are complete (within 2 hours).
- 3. Apply uniformly in continuous operation by power-spray or roller in accordance with manufacturer's directions, or apply in 2 coats by hand-operated pressure sprayers as recommended by the manufacturer.
- 4. Apply an additional coat to all surfaces showing discontinuity, pinholes or other defects.

- 5. Recoat areas subjected to heavy rainfall within 3 hours after initial application.
- 6. Maintain continuity of coating and repair damage during curing period.
- 7. Protect concrete surfaces to which membrane-curing compounds have been applied.
- 8. Any area covered with curing compound and damaged by subsequent construction operations within the 7-day curing period shall be resprayed.

H. Do not use membrane curing compounds on concrete surfaces which are to be covered with material applied directly to concrete, such as liquid floor hardener, waterproofing, dampproofing, membrane roofing, flooring, painting, and other coatings and finish materials, unless otherwise acceptable to Engineer.

3.11 CONSTRUCTION JOINTS

A. General: Construction joints shall conform to typical details and be located where shown on the Plans or where approved by the Engineer. Locate joints to minimize impairment to the strength of the structure.

B. Place construction joints perpendicular to the main reinforcement. Continue reinforcement across construction joints.

C. Walls: To assure a level and straight joint in exposed vertical surfaces, tack a 3/4 inch x 1-1/4 inch strip of dressed lumber to exposed face form at construction joint.

- 1. Place concrete 1 inch above underside of strip.
- 2. During stripping, carefully remove tack strip to prevent chipping or spalling.
- 3. Maximum spacing between vertical construction joints shall be 60 feet.

D. Provide keyways at least 1½-inches deep in construction joints in walls and slabs, unless shown otherwise. Bulkheads designed for this purpose may be used for slabs if approved by Architect.

3.12 CONTRACTION (CONTROL) JOINTS

A. Provide joints of size and at locations specified below:

- 1. Provide 3/4" Chamfer joints at 20 feet maximum spacing in each direction, unless otherwise shown or noted.

B. Sawcut as soon as concrete has hardened sufficiently to prevent aggregates being dislodged by saw. Complete sawcutting operations within 24 hours of the introduction of water to the mix.

3.14 REPAIR OF DEFECTIVE WORK

- A. Where concrete is under strength, out of line, level or plumb, or shows objectionable cracks, honeycombing, rock pockets, voids, spalling, exposed reinforcement, or is otherwise defective, and in the Engineers's judgment, these defects impair the proper strength or appearance of the work, the Engineer will require its removal and replacement at the Contractor's expense.
- B. Immediately after stripping and before concrete is thoroughly dry, patch minor defects, form-tie holes, honeycombed areas with patches that match finish of adjacent surface.
 - 1. Tie holes shall be filled solid with patching mortar.
 - 2. Cut out honeycombed or otherwise defective areas to solid concrete to a depth of not less than 1 inch.
 - 3. The edges of the cut shall be perpendicular to the surface of the concrete.
 - 4. Saturate the area to be patched and at least 6 inches adjacent thereto with water before placing the mortar.
 - 5. Mix the mortar approximately 1 hour before placing and remix occasionally during this period with a trowel without the addition of water.
 - 6. A grout of cement and water mixed to the consistency of paint shall then be brushed on to the surfaces to which the mortar is to be bonded.
 - 7. Compact the mortar into place and screed slightly higher than the surrounding surface.
 - 8. Finish patches on exposed surfaces to match the adjoining surfaces, after they have set for an hour or more.
 - 9. Cure patches as specified for the concrete.
- C. The specified patching mortar may be used in lieu of the above method when color match of the adjacent concrete is not required. Prior approval by the Engineer is required.
- D. All structural repairs shall be made with prior approval of the Engineer of Record, as to method and procedure, using the specified epoxy adhesive and/or epoxy mortar. Where epoxy injection procedures must be used, an approved low viscosity epoxy made by the manufacturers previously specified shall be used.

3.15 FIELD QUALITY CONTROL

- A. Comply with requirements of Section 01 45 23 - TESTING AND INSPECTION SERVICES.
- B. The Owner's Testing Agency will:
 - 1. Provide full time special inspection for concrete placement.
 - 2. Inspect concrete placement for conformance with the Contract Documents in accordance with the California Building Code.
- C. Sampling Fresh Concrete: Samples for strength tests shall be taken in accordance with ASTM C172. Cylinders and cores for acceptance shall be made, cured and tested in accordance with ASTM C31 and ASTM C39.

- 1. Slump: ASTM C 143; one test for each concrete load at point of discharge; and one test for each set of compressive strength test specimens.
 - 2. Air Content: Air content tests shall be made each time compressive strength cylinders are taken of concrete required to be air entrained.
 - 3. Compression Test Specimen: One set of 4 standard cylinders for each compressive strength test, unless otherwise directed. Mold and store cylinders for laboratory cured test specimens except when field-cure test specimens are required.
 - 4. Compressive Strength Tests: One set for each 10 cubic yards or fraction thereof, of each concrete type and strength placed in any one day, 1 specimen tested at 7 days, 2 specimens tested at 28 days, and 1 specimen retained in reserve for later testing if required. Compressive strength tests are not required for exterior concrete paving.
 - 5. When frequency of testing will provide less than 5 tests for a given type and strength of concrete, conduct testing from at least 5 randomly selected batches or from each batch if fewer than 5 are used.
 - 6. When strength of field-cured cylinders is less than 85 percent of companion laboratory-cured cylinders, evaluate current operations and provide corrective procedures for protecting and curing the in-place concrete.
 - 7. Strength level of concrete will be considered satisfactory if averages of sets of two consecutive strength test results equal or exceed specified compressive strength, and no individual strength test result falls below specified 28 day compressive strength by more than 500 psi.
- D. Structural Grout for Horizontal Joints: Verify that required mixing procedures are taken. One set of four samples will be taken for compression tests for each day grouting takes place. Observe initial grout placement and conduct periodic visual inspections of in-place work.
 - E. Additional Tests: The testing agency will make additional tests of in-place concrete when test results indicate specified concrete strengths and other characteristics have not been attained in the structure, as directed by Engineer.
 - 1. Testing agency may conduct tests to determine adequacy of concrete by cored cylinders complying with ASTM C 42, or by other methods as directed.
 - 2. Owner shall back charge the Contractor for such tests conducted, and any other additional testing as may be required, when unacceptable concrete is verified.

3.16 BACKFILL

- A. After curing, remove debris; backfill, grade and compact the area adjoining the concrete to conform to the surrounding area in accordance with lines and grades indicated.

3.17 CLEANING

- A. Comply with requirements of Section 01 71 00 - CLEANING.
- B. Protect completed concrete from damage until accepted.

Section 32 50 00
RESTORATION OF SURFACES

- C. Repair damaged concrete and clean concrete discolored during construction.
 - 1. Concrete that is damaged shall be removed and reconstructed for the entire length between regularly scheduled joints.
 - 2. Refinishing the damaged portion will not be acceptable.
 - 3. Remove damaged portions and dispose of as directed.
- D. Ensure removal of bituminous materials, form release agents, bond breakers, curing compounds or other materials employed in work of concreting which would otherwise prevent proper application of sealants, liquid waterproofing, or other delayed finishes or treatments.
- E. Where cleaning is required, take care not to damage surrounding surfaces or leave residue from cleaning agents.

END OF SECTION

PART 1 - GENERAL

1.1 SUMMARY

- A. Section includes but is not limited to:
 - 1. General surface restoration.
 - 2. Asphalt concrete surface restoration.
 - 3. Concrete surface restoration.
 - 4. Pavement Marking
 - 5. Landscape/Planting restoration.
- B. Related Sections:
 - 1. Section 02315 - TRENCHING, BACKFILLING & COMPACTING.
 - 2. Section 02750 - PAVING AND SURFACING.
 - 3. Section 02780 – PAVEMENT MARKING.

PART 2 - PRODUCTS

2.1 MATERIALS

- A. Refer to Section 31 23 33 - TRENCHING, BACKFILLING & COMPACTING.
Refer to Section 31 12 23 - PAVING AND SURFACING.
Refer to Section 32 17 23 – PAVEMENT MARKING.

PART 3 - EXECUTION

3.1 GENERAL

- A. Surface restoration shall be in kind or better.

3.2 ASPHALT CONCRETE SURFACE RESTORATION

- A. The base course for permanent asphalt concrete surface restoration shall be Class II Aggregate Base, equal in depth to the existing pavement structural section, but not less than 8 inches in depth.
- B. The wearing surface for permanent surface restoration on improved streets shall be asphalt concrete equal in thickness to the existing pavement, but not less than 3 inches in depth. The asphalt concrete shall be Type B Asphalt Concrete, in accordance with Section 32 12 23 - PAVING AND SURFACING.

3.3 CONCRETE SURFACE RESTORATION

- A. The base for permanent concrete surface restoration shall be Class II Aggregate base, equal in depth to the existing section, but not less than 6 inches in depth.
- B. The weaving surface for permanent concrete surface restoration shall be concrete equal in thickness to the existing concrete section, but not less than 4 inches in depth for Pedestrian Areas and not less than 6 inches in depth for Vehicular areas. The concrete shall be 6-sack concrete, in accordance with Section 32 12 33 – PAVING AND SURFACING.

**Section 33 10 00
WATER SYSTEMS**

3.4 PAVEMENT MARKING RESTORATION

- A. Replace pavement marking disturbed by construction operations/activity to the satisfaction of the Project Manager in kind in accordance with Section 31 17 23 – PAVEMENT MARKING.

3.5 LANDSCAPE RESTORATION

- A. Replace landscaping, planting, trees, shrubs, ground cover, irrigations systems disturbed by construction operations/activity to the satisfaction of the Project Manager in kind or better.
- B. Disturbed lawn areas shall be replace with Sod in kind or better to the satisfaction of the Project Manager.

END OF SECTION

PART 1 - GENERAL

1.1 SUMMARY

- A. This section describes general requirements, products, and methods of execution relating to on-site domestic water and fire water systems serving all buildings and appurtenances. Unless otherwise noted, this section does not apply to irrigation water systems and water systems inside and within 5 feet of buildings. This section applies to:
 - 1. Domestic water distribution and services.
 - 2. Fire water distribution and services.
 - 3. Water storage tanks.
 - 4. Booster pumps.
- B. Contractor shall provide all labor, equipment, materials, and testing services unless otherwise noted.
- C. Related Sections:
 - 1. Section 31 23 33 – TRENCHING, BACKFILLING AND COMPACTING.

1.2 SUBMITTALS

- A. Comply with requirements of Section 01330 – SUBMITTAL PROCEDURES.
- B. Product Data: Manufacturer’s literature and data, including, where applicable, sizes, pressure rating, rated capacity, listing/approval stamps, labels, or other marking on equipment made to the specified standards for materials, and settings of selected models, for the following:
 - 1. Piping and fittings.
 - 2. Gaskets, couplings, sleeves, and assembly bolts and nuts.
 - 3. Gate valves and ball valves.
 - 4. Blow-off valves, air release and vacuum valves, and combination air valves.
 - 5. Check valves.
 - 6. Pressure reducing valves.
 - 7. Backflow preventers.
 - 8. Post indicators.
 - 9. Fire department connections and wet stand pipes.
 - 10. Fire hydrants.



12. Tapping sleeves and tapping valves.
13. Service saddles and corporation stops.
14. Identification materials and devices.

C. Shop Plans and Calculations: Where an on-site fire water system is required, Contractor shall provide shop plans for Program Manager and agency approval prior to construction. Coordinate with the Construction Documents and identify any proposed modifications or deviations. Shop Plans and Calculations shall be stamped and signed by a registered Fire Protection Engineer licensed by the State of California as required.

1. Include the following information:
 - a. Design assumptions.
 - b. Thrust block sizing and calculations.
 - c. Materials to be used.
 - d. Available water pressure.
 - e. Required water pressure.
2. The review of fire system components constitutes only a portion of the review and approval required. A copy of the fire system component submittal package shall be forwarded to the local fire marshal for further review and approval.

D. Test Reports:

1. Water Pressure Report: At the conclusion of work, the Contractor shall engage a qualified testing service to conduct a flow test of the existing campus main (providing flow test data for all mains and at least six (6) hydrants). Provide date and location of test, type and method of test performed, static pressure and residual pressure in psig, observed flow in gpm, and orifice size.

E. Samples: None specified. Provide as necessary.

1.3 QUALITY ASSURANCE

A. Comply with the latest edition of the following Standards and Regulations:

1. American Water Works Association (AWWA) and American National Standards Institute (ANSI):
 - a. C104/A21.4 ANSI Standard for Cement-Mortar Lining for Ductile-Iron Pipe and Fittings for Water.
 - b. C105/A21.5 ANSI Standard for Polyethylene Encasement for Ductile-Iron Pipe Systems.
 - c. C110/A21.10 ANSI Standard for Ductile-Iron and Gray-Iron Fittings, 3 inch - 48 inch for Water.
 - d. C111/A21.11 ANSI Standard for Rubber-Gasket Joints for Ductile-Iron Pressure Pipe and Fittings.
 - e. C115/A21.15 ANSI Standard for Flanged Ductile-Iron Pipe with Ductile-Iron or Gray-Iron Threaded Flanges.

- f. C116/A21.16 ANSI Standard for Protective Fusion-Bonded Epoxy Coatings Interior & Exterior Surfaces for Ductile-Iron and Gray-Iron Fittings.
- g. C150/A21.50 ANSI Standard for Thickness Design of Ductile-Iron Pipe.
- h. C151/A21.51 ANSI Standard for Ductile-Iron Pipe, Centrifugally Cast, for Water.
- i. C153/A21.53 ANSI Standard for Ductile-Iron Compact Fittings for Water Service.
- j. C500 Metal-Seated Gate Valves for Water Supply Service.
- k. C502 Dry-Barrel Fire Hydrants.
- l. C503 Wet-Barrel Fire Hydrants.
- m. C504 Rubber-Seated Butterfly Valves.
- n. C507 Ball Valves, 6 inches - 48 inches.
- o. C508 Swing-Check Valves for Waterworks Service, 2 inches - 24 inches NPS.
- p. C509 Resilient-Seated Gate Valves for Water Supply Service.
- q. C510 Double Check Valve Backflow Prevention Assembly.
- r. C511 Reduced-Pressure Principle Backflow Prevention Assembly.
- s. C512 Air Release, Air/Vacuum, and Combination Air Valves for Waterworks Service.
- t. C550 Protective Epoxy Interior Coating for valves and Hydrants.
- u. C600 Installation of Ductile-Iron Water Mains and their Appurtenances.
- v. C602 Cement-Mortar Lining of water Pipelines in place- 4 inches and larger.
- w. C605 Underground Installation of Polyvinyl Chloride (PVC) Pressure Pipe and Fittings for Water.
- x. C651 Disinfecting Water Mains
- y. C652 Disinfection of Water-Storage Facilities
- z. C800 Underground Service Line Valves and Fittings for 1/2 inches - 2 inches.
- aa. C900 Polyvinyl Chloride (PVC) Pressure Pipe, and Fabricated Fittings, 4 inches - 12 inches, for Water Distribution.
- bb. C901 Polyethylene (PE) Pressure Pipe and Tubing, 1/2 inches through 3 inches, for Water Service.
- cc. C905 Polyvinyl Chloride (PVC) Pressure Pipe and Fabricated Fittings, 14 inches - 48 inches.
- dd. C906 Polyethylene (PE) Pressure Pipe and Fittings, 4 inches - 63 inches, for Water Distribution and Transmission.
- ee. C907 Polyvinyl Chloride (PVC) Pressure Fittings for Water, 4 inches - 8 inches.
- ff. C908 PVC Self-Tapping Saddle Tees for Use on PVC

- Pipe.
- gg. D103 Factory-Coated Bolted steel Tanks for water Storage.
2. National Fire Protection Association (NFPA):
 - a. NFPA 13 Standard for the Installation of Sprinkler Systems.
 - b. NFPA 14 Standard for the Installation of Standpipe, Private Hydrants, and Hose Systems.
 - c. NFPA 20 Standard for the Installation of Stationary Pumps for Fire Protection.
 - d. NFPA 22 Standard for Water Tanks for Private Fire Protection.
 - e. NFPA 24 Private Service Mains and their Appurtenances.
 - f. NFPA 25 Standard for the Inspection, Testing, and Maintenance of Water-Based Fire Protection Systems.
 3. Uni-Bell Plastic Pipe Association (UNI).
 - a. PUB 3 PVC Pipe – Technology Serving the Water Industry.
 - b. PUB 7 External Corrosion of Underground Water Distribution Piping Systems.
 - c. PUB 8 Tapping Guide for AWWA C900 Pressure Pipe.
 - d. PUB 9 Installation Guide for PVC Pressure Pipe.
 - e. B-8 Recommended Practice for the Direct Tapping of Polyvinyl Chloride (PVC) Pressure Water Pipe (Nominal Diameters 6-12 inch).
 4. American Society of Testing and Materials (ASTM).
 - a. ASTM A536 Standard Specification for Ductile Iron Castings.
 - b. ASTM A674 Standard Practice for Polyethylene Encasement for Ductile Iron Pipe for Water or Other Liquids.
 - c. ASTM D1785 Standard Specification for Poly (Vinyl Chloride) (PVC) Plastic Pipe, Schedules 40, 80, and 120.
 - d. ASTM D2241 Standard Specification for Poly (Vinyl Chloride) (PVC) Pressure-Rated Pipe.
 - e. ASTM D2466 Standard Specification for Poly (Vinyl Chloride) (PVC) Plastic Pipe Fittings, Schedule 40.
 - f. ASTM D2564 Standard Specification for Solvent Cements for Poly (Vinyl Chloride) (PVC) Plastic Piping Systems.
 - g. ASTM D2683 Standard Specification for Socket-Type Polyethylene Fittings for Outside Diameter-Controlled Polyethylene Pipe and Tubing.
 - h. ASTM D3139 Standard Specification for Joints for Plastic Pressure Pipes Using Flexible Elastomeric Seals.
 - i. ASTM D3261 Standard Specification for Butt Heat Fusion Polyethylene (PE) Plastic Fittings for Polyethylene (PE) Plastic Pipe and Tubing.
 - j. ASTM D3350 Standard Specification for Polyethylene Plastics Pipe and Fittings Materials.
 - k. ASTM F477 Standard Specification for Elastomeric Seals (Gaskets) for Joining Plastic Pipe.
 - l. ASTM F1055 Standard Specification for Electrofusion Type Polyethylene Fittings for Outside Diameter Controlled Polyethylene Pipe and Tubing.
 - m. ASTM F1056 Standard Specification for Socket Fusion Tools for Use in Socket Fusion Joining Polyethylene Pipe or Tubing and Fittings.
 - n. ASTM A53/A53M Standard Specification for Pipe, Steel, Black and Hot-Dipped, Zinc-Coated, Welded and Seamless.
 - o. ASTM A795 Standard Specification for Black and Hot-Dipped Zinc-Coated (Galvanized) Welded and Seamless Steel Pipe for Fire Protection Use.
 - p. ASTM A865 Standard Specification for Threaded Couplings, Steel, Black or Zinc-Coated (Galvanized) Welded or Seamless, for Use in Steel Pipe Joints.
 - q. ASTM B88 Standard Specification for Seamless Copper Water Tube.
5. American Society of Mechanical Engineers (ASME).
 - a. ASME B16 series for valves, fittings, flanges, and gaskets applicable for use in water systems.
 - b. ASME B1.20.1 American Standard Tapered Pipe Threads for factory-threaded pipe and pipe fittings.
 6. National Sanitation Foundation (NSF).
 - a. NSF/ANSI 14 Plastics Piping System Components and Related Materials.
 - b. NSF/ANSI 61 Standard for Drinking Water Systems Components – Health Effects.
 7. Underwriters Laboratories, Inc. (UL).
 - a. UL 157 Standard for Safety for Gaskets and Seals.
 - b. UL 194 Standard for Safety for Gasketed Joints for Ductile-Iron Pipe and Fittings for Fire Protection Service.
 - c. UL 213 Rubber Gasketed Fittings for Fire-Protection Service.
 - d. UL 246 Standard for Safety for Hydrants for Fire-Protection Service.
 - e. UL 262 Standard for Safety for Gate Valves for Fire-Protection Service.
 - f. UL 312 Standard for Safety for Check Valves for Fire-Protection Service.

- g. UL 405 Standard for Safety for Fire Department Connections.
 - h. UL 448 Standard for Safety for Pumps for Fire-Protection Service.
 - i. UL 789 Standard for Safety for Indicator Posts for Fire-Protection Service.
 - j. UL 860 Pipe Unions for Flammable and Combustible Fluids and Fire-Protection Service.
 - k. UL 1091 Standard for Safety for Butterfly Valves for Fire-Protection Service.
 - l. UL 1285 Pipe and Couplings, Polyvinyl Chloride (PVC), for Underground Fire Service.
 - m. UL 1468 Direct Acting Pressure Reducing and Pressure Restricting Valves.
 - n. UL 1478 Standard for Safety for Fire Pump Relief Valves.
8. FM Global (FM).
- a. FM 1020 Automatic Water Control Valves.
 - b. FM 1045 Waterflow Detector Check Valves.
 - c. FM 1110 Indicator Posts.
 - d. FM 1111 Post-Indicator-Valve-Assembly.
 - e. FM 1112 Indicating Butterfly Valves.
 - f. FM 1120 and FM 1130 Fire Service Water Control Valves (OS&Y and NRS Type Gate Valves).
 - g. FM 1210 Swing Check Valves.
 - h. FM 1221 Backflow Preventers (Reduced Pressure Principle and Double Check Valve Types).
 - i. FM 1311 Centrifugal Fire Pumps (Horizontal, Split-Case Type).
 - j. FM 1312 Centrifugal Fire Pumps (Vertical-Shaft, Turbine Type).
 - k. FM 1319 Centrifugal Fire Pumps (Horizontal, End Suction Type).
 - l. FM 1361 Water Pressure Relief Valve.
 - m. FM 1362 Pressure Reducing Valves.
 - n. FM 1371 Centrifugal Fire Pumps (In-Line Type).
 - o. FM 1510 Fire Hydrants (Dry Barrel Type) for Private Fire Service.
 - p. FM 1511 Fire Hydrants (Wet Barrel Type) for Private Fire Service.
 - q. FM 1530 Fire Department Connections.
 - r. FM 1610 Plastic Pipe & Fittings for Underground Fire Protection Service.
 - s. FM 1620 Pipe Joints & Anchor Fittings for Underground Fire Service Mains.
9. Plastics Pipe Institute (PPI).
- a. Underground Installation of Polyethylene Pipe.
 - b. Polyethylene Joining Procedures.

c. Inspections, Test and Safety Considerations.

- 10. American Association of State Highway and Transportation Officials (AASHTO) for H2O Loading.
- 11. American Concrete Institute (ACI).
 - a. ACI 348 - Meter Pit Construction.
- 12. Local Water District Standard Specifications and Details.
- 13. Local Office of the Fire Marshal Regulations.
- 14. Other authorities having jurisdiction.

- B. System Description: Grades and elevations are to be established with benchmarks referenced on Plans.
- C. Comply with authorities having jurisdiction for the installation and testing of potable water piping and fire protection systems.
- D. All testing of systems specified in this section shall be witnessed by representatives of the local water department or local authority. Provide at least 7 days notice.
- E. The Contractor shall prepare shop plans and calculations, and obtain all required approvals for the fire water system of the proposed project. Contractor shall have shop plans and calculations stamped and signed by a Fire Protection Engineer, licensed by the State of California, as required by the local jurisdiction.

PART 2 - PRODUCTS

2.1 PIPING

- A. Water Distribution Main (pipe size 4 inches and larger).
 - 1. Ductile Iron Pipe (DIP): Pressure Class 350 pipe conforming to AWWA/ANSI C151/A21.5, cement-mortar lining conforming to AWWA/ANSI C104/A21.4, with standard thickness per AWWA/ANSI C150/A21.50. U.S. Pipe, American Cast Iron Pipe Company (ACIPCO), or approved equivalent.
 - a. Flanged ends shall conform to AWWA/ANSI C115/A21.15.
 - b. Rubber-gasket joints shall conform to AWWA/ANSI C111/A21.11.
 - 2. Polyvinyl Chloride Pipe (PVC): Pressure Class 200, DR 14, spigot and gasket bell end, conforming to AWWA C900 or AWWA C905, with equivalent cast-iron pipe outer diameter (O.D.). J-M Manufacturing, PW Pipe, North American Pipe Company, or approved equivalent.

- B. Water Service Line (pipe size 3 inches and smaller)
 1. Copper (Cu): Provide Type K soft or hard copper pipe conforming to ASTM B88.
 2. For pipe size 1 inches and smaller High Density Polyethylene Pipe (HDPE): PE3408, Pressure Class 200, DR 9 conforming to AWWA C901. PWPIPE or approved equivalent.

2.2 FITTINGS, GASKETS, COUPLINGS, SLEEVES, AND ASSEMBLY BOLTS AND NUTS

- A. For DIP: Provide fittings with pressure rating greater than or equal to that of the pipe. Provide flanged joints, mechanical joints, push-on joints, and insulating joints where indicated. Fittings with push-on joint ends shall conform to the same requirements as fittings with mechanical-joint ends. Provide mechanically coupled type joints using a sleeve-type mechanical coupling where indicated. Provide ends of pipe and fittings suitable for the specified joints. Fittings shall have cement-mortar lining conforming to AWWA/ANSI C104/A21.4.
 1. Flanged Joints: Provide bolts, nuts, and gaskets in conformance with AWWA/ANSI C115/A21.15. Flanged fittings shall conform to AWWA/ANSI C110/A21.10 or C153/A21.53.
 - a. Provide flange for setscrewed flanges of ductile iron, ASTM A536, Grade 65-45-12, and conform to the applicable requirements of ASME B16.1, Class 250.
 - b. Provide setscrews for setscrewed flanges of 190,000 psi tensile strength, heat treated and zinc-coated steel.
 - c. Gaskets for setscrewed flanges shall conform to the applicable requirements for mechanical-joint gaskets specified in AWWA/ANSI C111/A21.11.
 - d. Design of setscrewed gaskets shall provide for confinement and compression of gasket when joint to adjoining flange is made.
 - e. Unless otherwise required, above ground flange assembly bolts shall be standard hex-head, cadmium plated machine bolts with American Standard Heavy, hot-pressed, cadmium plated hexagonal nuts. Buried flange nuts and bolts shall be as above except they shall be of Type 304 stainless steel.
 2. Mechanical Joints: Dimensional and material requirements for pipe ends, glands, bolts and nuts, and gaskets shall conform to AWWA/ANSI C111/A21.11.
 3. Push-on Joints: Provide shape of pipe ends and fitting ends, gaskets, and lubricant for joint assembly conforming to AWWA/ANSI C111/A21.11. Modify bell design fittings, as approved.

4. Insulating Joints: Provide a rubber-gasketed or other suitable approved type of insulating joint or dielectric coupling which will effectively prevent metal-to-metal contact at the joint between adjacent sections of dissimilar metals.
 - a. Provide joint of the flanged type with insulating gasket, insulating bolt sleeves, and insulating washers.
 - b. Provide gasket of the dielectric type, full face, as recommended in AWWA/ANSI C115/A21.15.
 - c. Provide bolts and nuts as recommended in AWWA/ANSI C115/A21.15.

B. For PVC: Fittings shall be DIP.

1. DIP fittings: Provide gray-iron or ductile-iron conforming to AWWA/ANSI C110/A21.10, with cement-mortar lining conforming to AWWA/ANSI C104/A21.4, and standard thickness, with equivalent cast-iron pipe O.D.
 - a. Fittings with push-on joint ends shall conform to the same requirements as fittings with mechanical-joint ends, except the bell design shall be modified, as approved, for push-on joint suitable for use with PVC plastic pipe.
 - b. Provide push-on joints, compression joints and mechanical joints where indicated between pipe and fittings, valves, and other accessories.
 - c. Mechanical joints, glands, bolts and nuts, and gaskets shall conform to AWWA/ANSI C111/A21.11.
 - d. All fittings shall be epoxy-coated, 10-mil thickness conforming to AWWA C550.

C. For Cu:

1. Cast copper alloy solder-joint pressure fittings shall conform to ASME B16.18.
2. Wrought copper solder-joint pressure fittings or wrought copper alloy unions shall conform to ASME B16.22
3. Cast copper alloy flare fittings shall conform to ASME B16.26.
4. Wrought copper alloy body, hexagonal stock, metal-to-metal seating surfaces, and solder-joint threaded ends shall conform to ASME B1.20.1.
5. Compression connections shall be Mueller 110, Ford or approved equivalent.

D. For PE:

1. Cast Copper Fittings shall conform to ASME B16.18.
2. Cast Copper Compression Fittings and connections shall be Mueller 110 Ford or approved equivalent.

2.3 GATE VALVES AND BALL VALVES



- A. Gate Valves: Valves shall open by counterclockwise rotation of the valve stem. Provide valves with ends as appropriate for the adjoining pipe.
 - 1. Stuffing boxes shall have O-ring stem seals. Provide stuffing boxes bolted and constructed so as to permit easy removal of parts for repair.
 - 2. Valves (2-1/2 inches and larger):
 - a. Provide valves conforming to AWWA C500 or AWWA C509 and of one manufacturer. Valves shall have a non-rising stem, a 2-inch square nut, and double-disc gates. Valves shall be rated for 250 psi maximum working pressure. Mueller 2360 series, ACIPCO, or approved equivalent.
 - b. For the domestic water system, valves shall also conform to ANSI/NSF 61.
 - c. For the fire water system, valves 2 inches through 16 inches in size shall also conform to UL 262 and FM 1120 or FM 1130 to a working pressure of 200 psi.
 - 3. Where a post indicator is shown, provide valve with an indicator post flange.
- B. Ball Valves: Valves shall open by counterclockwise rotation of the valve stem. Provide valves with ends as appropriate for the adjoining pipe.

- 1. Valves (2-inches and smaller):
 - a. Provide valves conforming to AWWA C800 and of one manufacturer. Mueller 300 Series, Ford, or approved equivalent.
- 2. Provide valve with lockable operating nut or handle as shown on the Construction Documents.

2.4 BLOW-OFF VALVES, AIR RELEASE AND VACUUM VALVES, AND COMBINATION AIR VALVES

- A. Blow-off valves: Provide valve and service size as shown in the Construction Documents. Provide 2-inch valves at low points of the piping system, and 4-inch valves at dead-ends of the piping system, unless otherwise directed by the Program Manager.
 - 1. 2-inch blow-off shall have a 2-inch vertical female iron pipe (FIP) inlet and a 2-inch normal pressure and temperature (NPT) nozzle outlet with cap. Valve shall open by counterclockwise rotation of a top-mounted 9/16-inch square operating nut. All working parts shall be serviceable without excavation. Kupferle/Truflo Model TF550, or approved equivalent.
 - 2. 4-inch blow-off shall have a 4-inch vertical FIP inlet and a 4-inch male iron pipe (MIP) outlet with cap. Valve shall open by counterclockwise rotation of a top-mounted 9/16-inch square operating nut. All working

parts shall be serviceable without excavation. Kupferle/Truflo Model TF800, or approved equivalent.

- B. Air release and vacuum valves: Provide valve and service size as shown on the Construction Documents, and where there is an increase in the downward slope or a decrease in the upward slope of the piping system. Valve shall have cast-iron single valve body, and shall conform to AWWA C512. A compound lever system shall have a maximum operating pressure of 300psi. Provide a protective cap for the outlet of the valve. Provide universal air-vacuum type valves, Crispin Model UL, Apco, or approved equivalent.
- C. Combination air valves: Provide valve and service size as shown on the Construction Documents, and at high points and sharp changes in gradient of the pipe system. Valve shall have cast-iron single valve or double valve body, and shall conform to AWWA C512. A simple or compound lever system shall have a maximum operating pressure of 300psi. Provide a protective cap for the outlet of the valve. Crispin Model C, Apco, or approved equivalent.

2.5 CHECK VALVES

- A. Check Valves: Valves shall have clear port opening and a cast-iron body. Provide spring-loaded or weight-loaded valves where indicated on the Construction Documents.
 - 1. For the domestic water system, provide swing-check type valves conforming to AWWA C508. Provide valves of one manufacturer. Mueller, Apco, or approved equivalent.
 - 2. For the fire water system, provide swing-check type valves conforming to FM 1210 and UL 312. Mueller, Watts, or approved equivalent.

2.6 PRESSURE REDUCING VALVES

- A. Pressure Reducing Valves: Valves shall have a cast-iron body, conforming to ASTM A536, with epoxy interior coating conforming to AWWA, and rated to pressure class 300. Cla-Val Model 90-01, Singer, or approved equivalent.
 - 1. Valves shall have flanged ends.
 - 2. Valves sized 3-inches or smaller may have screwed ends.

2.7 POST INDICATORS

- A. Posts Indicators shall withstand up to 900 ft-lbs of operating torque, be free-standing, and tamper-proof.
- B. Post Indicators shall conform to UL 789 and FM 1110. Mueller, ACIPCO, or approved equivalent.

2.8 VALVE BOXES, METER BOXES, FRAMES AND COVERS

- A. Water Valve Box: Provide pre-cast concrete valve box for each buried valve. Provide box with steel or cast iron traffic cover marked "WATER". Christy Model G5 with G5C cover or approved equivalent.
- B. Valve or Meter Boxes: Contractor shall verify box size required for water system appurtenances as shown in the Construction Documents. Provide a precast concrete utility box for each buried appurtenance. Provide a traffic-rated lid for H20 loading. A non-traffic rated lid may be used for boxes located in landscape areas. Christy, or approved equivalent.

2.9 BACKFLOW PREVENTERS

- A. Provide backflow preventers as shown on the Construction Documents. Subject to District's approval. Backflow preventers on the fire water system shall be subject to approval by the local office of the fire marshal.
- B. Reduced Pressure Principle Assemblies (RPPA): Provide a cast-iron body RPPA consisting of two independently operating check valves with a pressure differential relief valve located between the two check valves, two shut-off valves and four test cocks. RPPA shall be tamper-proof and conform to AWWA C511. Febco 860, Watts, or approved equivalent.
- C. Double Check Detector Assemblies (DCDA): Provide a cast-iron body DCDA consisting of mainline double check assemblies in parallel with a bypass double check and meter assembly, two shut-off valves and four test cocks. DCDA shall be tamper-proof and conform to AWWA C510. Febco 806, Watts, or approved equivalent.

2.10 FIRE DEPARTMENT CONNECTIONS AND WET STAND PIPES

- A. Fire Department Connections (FDC): Provide FDC's with 2-1/2 inch female hose connections, sidewalk or free-standing type. Number of inlets shall be as shown on the Construction Documents. Clapper and spring check inlets shall each have a minimum capacity of 250 gpm, and be furnished with a cap and chain. Outlet shall be sized for simultaneous use of all inlets. Connection shall be branded "Building XX".
 - 1. 2-Way FDC: Connection shall conform to UL 405 or FM 1530. Elkhart, Croker, or approved equivalent.
 - 2. 3-Way FDC: Connection shall be subject to approval by the local water department or fire marshal. Elkhart, Croker, Potter-Roemer or approved equivalent.
 - 3. 4-Way FDC: Connection shall conform to UL 405. Potter-Roemer, Croker, or approved equivalent.

- 4. 6-Way FDC: Connection shall be subject to approval by the local water department or fire marshal. Croker, Potter-Roemer or approved equivalent.

2.11 FIRE HYDRANTS

- A. Provide two 2-1/2 inch and one 4-1/2 inch outlets, with a 6-inch nominal inside diameter inlet and break-away type bolts. Hydrant shall have a working pressure of 250 psi and shall conform to AWWA C502 or C503, and be UL listed and FM approved. Provide hydrants of one manufacturer. Clow model 960 series or approved equivalent, subject to approval of the District and fire marshal.

2.12 THRUST BLOCKS AND PIPE RESTRAINTS

- A. Thrust Blocks: Provide thrust blocks in accordance with NFPA 24 Standards. Use concrete conforming to ASTM C94 having a minimum compressive strength of 2,500 psi at 28 days; or use concrete of a mix not leaner than one part cement, 2-1/2 parts sand, and 5 parts gravel, having the same minimum compressive strength.
- B. Pipe Restraints: Provide thrust restraint systems for fittings and joints as indicated on the Plans. Restrained lengths for onsite fire system will be as indicated on the Plans.
 - 1. For mechanical joint fittings and joints: Pipe restraints shall be "Mega-Lug" pipe restraint system by EBBA Iron, Inc., or approved equivalent.
 - 2. For push-on joint fittings and joints: Pipe restraints shall be "Field-Lok" gaskets by U.S. Pipe, or approved equivalent.
- C. Thrust blocks or mechanical pipe restraints may be used at Contractor's option, unless otherwise indicated on the Plans.
- D. Provide thrust blocks or mechanical pipe restraints at all fittings and changes in angle, alignment or elevation.
- E. Where depth or location of existing structures prohibit the use of standard thrust blocks, gravity blocks may be used. Conform to NFPA 24 Standards.

2.13 TAPPING SLEEVES AND TAPPING VALVES

- A. Tapping sleeves shall be epoxy coated and furnished with stainless steel washers, nuts and bolts. Mueller H-615 and H-619, Ford, or approved equivalent.

- B. Tapping valves shall have flanged inlet, Class 125, conforming to ASME B16.1 and furnished with stainless steel washers, nuts and bolts. Tapping valves shall be constructed with a mechanical joint outlet. Mueller T-687, T-642, T-681, or approved equivalent.

2.14 SERVICE SADDLES AND CORPORATION STOPS

- A. Service Saddles: Saddles shall conform to AWWA C800 and NSF 61.
 - 1. For DIP: Provide bronze or stainless steel body, double strap type with a 200 psi maximum working pressure. Mueller BR2 Series, Ford, or approved equivalent.
 - 2. For PVC: Provide bronze body, wide strap type. Mueller H-13000 Series, Ford, or approved equivalent.
 - 3. For PE: Per manufacturer's recommendations.
- B. Corporation Stops: Provide ground key type; bronze conforming to ASTM B61 or ASTM B62, for a working pressure of 100 psi. and suitable for the working pressure of the system.
 - 1. Ends shall be suitable for adjoining pipe and connections, solder-joint, or flared tube compression type joint.
 - 2. Threaded ends shall conform to AWWA C800.
 - 3. Coupling nut for connection to flared copper tubing shall conform to ASME B16.26.
 - 4. Mueller H-15000 Series with "CC" threads and a copper flare straight connection outlet, Ford, or approved equivalent.

2.15 IDENTIFICATION MATERIALS AND DEVICES

- A. Marker Tape: Provide marker tape consisting of metallic foil bonded to plastic film not less than 2-inches wide. Film shall be inert polyethylene plastic. Film and foil shall each not be less than 1-mil. thick. The tape shall be identified with lettering, not less than 3/4-inch high, "CAUTION: WATER MAIN BELOW", repeated at approximately 24-inch intervals.
- B. Tracer Wire for Nonmetallic Piping: Provide 12 gage, coated copper or aluminum wire not less than 0.10 inch in diameter in sufficient length to be continuous over each separate run of nonmetallic pipe. Wire shall be tied in at all valves.

PART 3 - EXECUTION

3.1 EXAMINATION

- A. Examine surfaces and areas for suitable conditions where water service is being installed.

- B. Do not begin installation until unsatisfactory conditions have been corrected.

3.2 LOCATION OF WATER LINES

- A. Where the location of the water line is not clearly defined by dimensions on the Plans, do not lay water line closer than 10 feet horizontally from any sewer line.
- B. Where water lines cross under gravity sewer lines, encase sewer line in concrete for a distance of at least 10 feet on each side of the crossing, unless sewer line is made of pressure pipe with rubber-gasketed joints and no joint is located within 3 feet horizontally of the crossing.
- C. Where water lines cross sewer force mains and inverted siphons, install water line at least 2 feet above these sewer lines.
- D. When joints in the sewer line are closer than 3 feet horizontally from the water line, encase sewer line joints in concrete.
- E. Do not lay water lines in the same trench with other utilities.
- F. Install water lines at 3'-0" minimum depth or as detailed on Plans.

3.3 INSTALLATION OF PIPING

- A. Inspection:
 - 1. Before placing in position, inspect pipe for noticeable defects. Clean the inside and outside of the pipe, fittings, valves, and accessories, and maintain in a clean condition.
 - 2. Remove fins and burrs from pipe and fittings.
- B. Pipe laying and jointing:
 - 1. Provide proper facilities for lowering sections of pipe into trenches.
 - 2. Do not drop or dump pipe, fittings, valves, or any other water line material into trenches.
 - 3. Cut pipe accurately to length established at the site and work into place without springing or forcing. Replace any pipe or fitting that does not allow sufficient space for proper installation of jointing material.
 - 4. Blocking or wedging between bells and spigots will not be permitted. Lay bell-and-spigot pipe with the bell end pointing in the direction of laying.
 - 5. Grade the pipeline in straight lines; avoid the formation of dips and low points.
 - 6. Support pipe at proper elevation and grade.

7. Provide secure firm, uniform support. Wood support blocking will not be permitted.
8. Lay pipe so that the full length of each section of pipe and each fitting rests solidly on the pipe bedding; excavate recesses to accommodate bells, joints, and couplings.
9. Provide anchors and supports where indicated and where necessary for fastening work into place.
10. Make proper provision for expansion and contraction of pipelines.
11. Keep trenches free of water until joints have been properly made.
12. Do not lay pipe when conditions of trench or weather prevent proper installation.
13. All fittings shall be blocked with appropriately sized thrust blocks as shown in the Construction Documents.

C. Installation of Tracer Wire:

1. Install a continuous length of tracer wire for the full length of each run of nonmetallic pipe.
2. Attach wire to top of pipe in such manner that it will not be displaced during construction operations.

D. Connections to Existing Lines:

1. Make connections to existing water lines after approval is obtained and with a minimum interruption of service on the existing line.
2. Make connections to existing lines under pressure in accordance with the recommended procedures of a manufacturer of pipe of which the line being tapped is made.

- E. At the end of each work day, close open ends of pipe temporarily with wood blocks or bulkheads to keep out debris and contamination.

3.4. INSTALLATION OF DUCTILE-IRON PIPING

- A. Install pipe and fittings in accordance with requirements of AWWA C600 for pipe installation, joint assembly, valve-and-fitting installation, and thrust restraint.

B. Jointing:

1. Provide push-on joints with the gaskets and lubricant specified for this type joint; assemble in accordance with the applicable requirements of AWWA C600 for joint assembly.
2. Provide mechanical joints with the gaskets, glands, bolts, and nuts specified for this type joint; assemble in accordance with the applicable requirements of AWWA C600 for joint assembly and with the recommendations of AWWA C111.
3. Provide flanged joints with the gaskets, bolts, and nuts specified for this type joint.

- a. Install flanged joints up tight; avoid undue strain on flanges, fittings, valves, and other equipment and accessories.
- b. Align bolt holes for each flanged joint.
- c. Use full size bolts for the bolt holes; use of undersized bolts to make up for misalignment of bolt holes or for any other purpose will not be permitted.
- d. Do not allow adjoining flange faces to be out of parallel to such degree that the flanged joint cannot be made watertight without over straining the flange.
- e. Where flanged pipe and fitting have dimensions that do not allow the installation of a proper flanged joint as specified, replace it by one of proper dimensions.
- f. Use setscrewed flanges to make flanged joints where conditions prevent the use of full-length flanged pipe. Assemble in accordance with the recommendations of the setscrewed flange manufacturer.

3. Provide insulating joints with the gaskets, sleeves, washers, bolts, and nuts previously specified for this type joint. Assemble insulating joints as specified for flanged joints. Bolts for insulating sleeves shall be full size for the bolt holes.
4. Ensure that there is no metal-to-metal contact between dissimilar metals after the joint has been assembled.

- C. Exterior Protection: Completely encase buried ductile iron pipelines and underground appurtenances with polyethylene wrap. Install 8-mil linear low-density polyethylene (LLD) film or 4-mil high-density cross-laminated (HDCL) film per manufacturer's recommendations and in accordance with AWWA/ANSI C105/A21.5 and ASTM A674.

D. Pipe Anchorage:

1. Provide concrete thrust blocks or restrained joints for pipe anchorage, except where metal harness is indicated on the Construction Documents.
2. Pipe anchorage shall be in accordance with NFPA 24 Standards.

3.5. INSTALLATION OF POLYVINYL CHLORIDE PIPING

- A. Install pipe and fittings in accordance with the requirements of UNI B-3 for the following:

1. The laying of pipe, joining PVC pipe to fittings and accessories.
2. The setting of hydrants, valves, and fittings.

- B. Comply with the recommendations for pipe joint assembly and appurtenance installation in AWWA Manual M23, Chapter 7, "Installation".

- C. Comply with the applicable requirements of AWWA C600 for joint assembly, and with the recommendations of Appendix A to AWWA C111.
- D. Jointing:
 1. Provide push-on joints with the elastomeric gaskets specified for this type joint, using either elastomeric-gasket bell-end pipe or elastomeric-gasket couplings.
 2. For pipe-to-pipe push-on joint connections, use only pipe with push-on joint ends having factory-made bevel.
 3. For push-on joint connections to metal fittings, valves, and other accessories, cut spigot end of pipe off square and re-bevel pipe end to a bevel approximately the same as that on ductile-iron pipe used for the same type of joint.
 4. Use an approved lubricant recommended by the pipe manufacturer for push-on joints.
 5. Assemble push-on joints for connection to fittings, valves, and other accessories in accordance with the requirements of UNI B-3 for joining PVC pipe to fittings and accessories and with the applicable requirements of AWWA C600 for joint assembly.
 6. Make compression-type joints/mechanical-joints with the gaskets, glands, bolts, nuts, and internal stiffeners previously specified for this type joint. Cut off spigot end of pipe for compression-type joint or mechanical-joint connections and do not re-bevel.
 7. Assemble joints made with sleeve-type mechanical couplings in accordance with the recommendations of the coupling manufacturer using internal stiffeners as previously specified for compression-type joints.
- E. Pipe Anchorage:
 1. Provide concrete thrust blocks or restrained joints for pipe anchorage, except where metal harness is indicated on the Construction Documents.

2. Anchorage shall be in accordance with the requirements of UNI B-3 and in accordance with NFPA 24 Standards for reaction or thrust blocking and plugging of dead ends, except that size and positioning of thrust blocks shall be as indicated on the Construction Documents.

3.6 INSTALLATION OF POLYETHYLENE PIPING

- A. Install pipe, fittings, and appurtenances in accordance with PPI and Manufacturer's Recommendations.
- B. Jointing:
 1. Provide mechanical joints, compression fittings, or flanges as recommended by the manufacturer.
 2. Jointing shall be performed using proper equipment and machinery by trained and certified personnel.
 3. Joints, fittings and tools shall be clean and free of burrs, oil, and dirt.
 4. Butt fusion:
 - a. Pipe ends shall be faced to establish clean, parallel mating surfaces.
 - b. Align and securely fasten the components to be joined squarely between the jaws of the joining machine.
 - c. Heat the ends of the pipe to the pipe manufacturer's recommended temperature interface pressure and time duration. A pyrometer or other surface temperature measuring device should be used to insure proper temperature of the heating tool. Temperature indicating crayons shall not be used on a surface which will come into contact with the pipe or fitting.
 - d. Prevent molten plastic from sticking to the heater faces. Molten plastic on the heater faces shall be removed immediately according to the tool manufacturer's instructions.
 - e. Bring the molten ends together with sufficient pressure to properly mix the pipe materials and form a homogeneous joint. Hold the molten joint under pressure until cooled adequately to develop strength. Refer to the Manufacturer's recommendations for temperature, pressure, holding, and cooling times.
 - f. Remove the inside bead from the fusion process using Manufacturer's recommended procedure.
 5. Socket fusion:
 - a. Mixing manufacturers' heating tools and depth gages will not be allowed unless the tools conform to ASTM F1056.
 - b. Pipe ends shall be faced square to establish clean, parallel mating surfaces.

- c. Clamp the cold ring on the pipe at the proper position using a depth gauge.
 - d. Heat the tool to the pipe manufacturer's recommended temperature. A pyrometer or other surface temperature measuring device should be used to insure proper temperature. Temperature indicating crayons shall not be used on a surface which will come into contact with the pipe or fitting.
 - e. Follow manufacturer's recommendations for bringing the hot tool faces into contact with the outside surface of the end of the pipe and the inside surface of the socket fitting.
 - f. Simultaneously remove the pipe and fitting from the tool.
 - g. Inspect the melt pattern for uniformity and immediately insert the pipe squarely and fully into the socket of the fitting until the fitting contacts the cold ring. Do not twist the pipe or fitting during or after the insertion.
 - h. Hold or block the pipe in place during cooling.
6. Electrofusion:
- a. Unless the operation is for a saddle-type electrofusion joint, pipe ends shall be faced square to establish clean, parallel mating surfaces.
 - b. Clamp the pipe and fitting at the proper position in the fixture.
 - c. Connect the electrofusion control box to the fitting and to the power source. Apply the electric current using manufacturer's instructions.
 - d. Allow the joint to cool before removing the clamping fixtures.

3.7 INSTALLATION OF VALVES

- A. Install gate valves conforming to AWWA C500 and UL 262 in accordance with the requirements of AWWA C600 for valve-and-fitting installation and with the recommendations of the Appendix (Installation, operation, and Maintenance of Gate Valves) to AWWA C509.
- B. Install gate valves conforming to AWWA C509 in accordance with the requirements of AWWA C600 for valve-and-fitting installation and with the recommendations of the Appendix (Installation, Operation, and Maintenance of Gate Valves) to AWWA C509.
- C. Install gate valves on PVC water mains in addition in accordance with the recommendations for appurtenance installation in AWWA Manual M23, Chapter 7, "Installation."
- D. Install check valves in accordance with the applicable requirements of AWWA C600 for valve-and-fitting installation, except as otherwise indicated.

- E. Provide and assemble joints to gate valves and check valves as specified for making and assembling the same type joints between pipe and fittings.

3.8 INSTALLATION OF VALVE AND METER BOXES

- A. Boxes shall be centered over the appurtenance so as not to transmit shock or stress. Covers shall be set flush with the surface of the finished pavement, or as shown in the Construction Documents. Backfill shall be placed around the boxes and compacted to the specified level in a manner that will not damage or displace the box from proper alignment or grade. Misaligned boxes shall be excavated, plumbed, and backfilled at no additional cost to the District.

3.9 INSTALLATION OF HYDRANTS

- A. Install hydrants, except for metal harness, plumbed vertical, in accordance with AWWA C600 for hydrant installation and as indicated.
- B. Provide and assemble joints as specified for making and assembling the same type joints between pipe and fittings. Hydrants shall be set so that mounting bolts clear the top of finished grade by three inches so bolts may be easily replace if needed.
- C. Provide metal harness as specified under pipe anchorage requirements for the respective pipeline material to which hydrant is attached.

3.10 SERVICE LINE CONNECTIONS TO WATER MAINS

- A. Connect service lines of size shown on plans to the main with a rigid connection or a corporation stop and gooseneck. Install a gate valve on the service line.
- B. Connect service lines to ductile-iron water mains in accordance with AWWA C600 for service taps.
- C. Connect service lines to PVC plastic water mains in accordance with UNI-B-8 and the recommendations of AWWA Manual M231, Chapter 9, "Service Connections."

3.11 INSTALLATION OF BACKFLOW PREVENTERS

- A. Backflow devices shall be installed horizontal and level, with three feet minimum clearances from obstructions.

3.12 HYDROSTATIC PIPELINE TESTING

A. Requirements:

1. After the pipe has been laid and backfilled, perform hydrostatic pressure tests.
2. Do not conduct tests until at least 12 hours have elapsed since pipe laying and at least 5 days have elapsed since placing of concrete thrust blocks.
3. Fill the pipe with water which shall remain without external application of pressure for 24 hours before tests are conducted.
4. Prior to hydrostatic testing, flush pipe system with fresh water until piping is free of dirt and foreign matter.
5. Apply pressure by a pump and measured by a test gage. All necessary apparatus and labor for conducting the pressure and leakage tests shall be furnished by the Contractor.
6. Ensure the release of air from the line during filling, and prevent collapse due to vacuum when dewatering the line.
7. For pressure test, use a hydrostatic pressure not less than 200 psi. The duration of the test shall not be less than 4 hours with the variation in pressure of not more than 5 psi for the duration of the test.

B. Leakage Tests:

1. Perform tests at the same time as pressure tests.
2. Leakage rate shall be measured for at least 4 hours with a certified water meter, or other approved method. If requested, meter certification shall be submitted to the District for approval prior to testing.
3. Leakage shall not be measured by a drop in pressure in a test section over a period of time.
4. Leakage at mechanical couplings and joints, tapping sleeves, saddles, flanged joints, and copper piping will not be accepted. Correct any visible leaks.
5. Push-on joints: Test ductile iron pipe for leakage in accordance with AWWA C600 as shown in the following table:

TABLE 1

Allowable Leakage per 1000 feet of DIP Pipeline (Gal/Hr)

Average Test Pressure	Nominal Pipe Diameter - Inches

Average Test Pressure	Nominal Pipe Diameter - Inches									
(psi)	3	4	6	8	10	12	14	16	18	20
300	0.39	0.52	0.78	1.04	1.30	1.56	1.82	2.08	2.34	2.60
275	0.37	0.50	0.75	1.00	1.24	1.49	1.74	1.99	2.24	2.49
250	0.36	0.47	0.71	0.95	1.19	1.42	1.66	1.90	2.14	2.37
225	0.34	0.45	0.68	0.90	1.13	1.35	1.58	1.80	2.03	2.25
200	0.32	0.43	0.64	0.85	1.06	1.28	1.48	1.70	1.91	2.12

6. When the pipeline under test contains sections of various diameters, the allowable leakage will be the sum of the computed leakage for each size.
7. Test polyvinyl chloride pipe for leakage in accordance with the recommendations of the Uni-Bell Plastic Pipe Association (UNI) as shown in the following table:

TABLE 2

Allowable Leakage per 1000 feet or 50 joints of PVC Pipeline (Gal/Hr)

Nominal Pipe Size (inches)	Average Test Pressure in Line (psi.)	
	200	250
4	0.38	0.43
6	0.57	0.64
8	0.76	0.85
10	0.96	1.07
12	1.15	1.28
14	1.34	1.50
16	1.53	1.71
18	1.72	1.92
20	1.91	2.14

8. Should any section of new pipe fail to pass either test, locate and repair the defective pipe and repeat the test.

3.13 STERILIZATION AND FLUSHING

A. General:

1. Disinfect domestic water lines, mains, and branches by chlorination in accordance with AWWA C601 and as herein specified.

B. Sterilization Methods:

1. Liquid Chlorine Solution Method:
 - a. Flush all foreign matter from mains, branch runs, hydrant runs, and installed services.
 - b. Introduce liquid chlorine solution at appropriate locations to assure uniform distribution through the facilities at the proper concentration.
 - c. Do not use installed copper service lines to convey the concentrated chlorine solution to the mains.
 - d. The sanitizing solution shall be retained in the facilities for a period of 24 hours after which each service, hydrant run, branch run and dead end shall be flushed until:
 - i. Residual chlorine is less than 1 part per million.
 - ii. Residual chlorine is no greater than the concentration of chlorine in the water supplied for flushing.
 - e. Chlorine shall be a 1 percent solution (containing 10,000 parts per million available chlorine) or shall be obtained by use of dry chlorine in tablet form firmly attached to inside tope of the pipe.
 - f. The required concentration of chlorine in the pipe is 50 parts per million. This concentration may be attained by adding 5 gallons of the chlorine solution to 1,000 gallons of water.
 - g. The weight of chlorine or chlorine compound required to make a 1 percent chlorine solution is as follows:

TABLE 3

One-Percent Chlorine Solution Mix

AMOUNT OF PRODUCT COMPOUND		QUANTITY OF WATER (in gallons)
High-Test Calcium Hypochlorite (65-70% Cl)	1 pound	7.50
Chlorinated Lime (32-35% Cl)	2 pounds	7.50
Liquid Laundry Bleach (5.25% Cl)	1 gallon	4.25
Liquid Chlorine (100% available chlorine)	0.62 pounds	7.50

2. HTH Tablet Method:
 - a. The required concentration of chlorine in the mains may be obtained by the use of HTH tablets as produced by Olin Mathieson in the following quantities or approved equivalent:

TABLE 4

HTH Tablet (70%) Dosage
Number of Tablets Per Length of Pipe

Length of Section	DIAMETER OF PIPE				
	4 inches	6 inches	8 inches	10 inches	12 inches
13 feet or less	1	2	3	4	6
18 feet	1	2	3	5	6
20 feet	1	2	3	5	7
30 feet	2	3	5	7	10
36 feet	2	3	5	8	12
40 feet	2	4	6	9	14
100 feet	4	9	15	23	30

- b. Tablets are to be fastened to the inside top surface of each length of pipe using "Permatex No. 1" no earlier than the day pipe is laid.
- c. Tablets shall not be installed in the pipe and left overnight before laying and shall not be accessible at any time for casual pilferage by the general public or by children. Tablets shall be stored in a hermetically sealed container.
- d. The new water lines are to be slowly filled with water. Air is to be exhausted from each dead end, branch run, hydrant run, and installed service.
- e. Water shall be retained for a period of 24 hours, after which each service, hydrant run, branch run and dead end shall be thoroughly flushed to clear foreign matter and until:
 - i. Residual chlorine concentration is less than 1 part per million
 - ii. Residual chlorine is no greater than the concentration of chlorine in the water supplied for flushing.

B. Bacteriological Testing:

1. Samples shall be gathered and tests conducted at the expense of the Contractor by a laboratory approved by the District.
2. Samples are to be taken at representative points not less than one test per every 500 feet of pipe, plus one test at each end of the pipe; or as required by the District and inspector having jurisdiction.
3. The new water lines shall remain isolated and out of service until satisfactory test results have been obtained that:
 - a. All samples shall be tested and show the absence of Coliform Organisms, the presence of free chlorine residual (and shall equal to that of source water). Turbidity, PH and

- Heterotrophic Plate Count shall also match that of the source water.
- b. District has accepted the results as indicative of the bacteriological condition of the facilities.
 - c. If unsatisfactory or doubtful results are obtained from the initial sampling, repeat the chlorination process until acceptable test results are reported.
 - d. Source water shall be that of the campus.

END OF SECTION

Section 33 30 00 SANITARY SEWER

PART 1 – GENERAL

1.1 SUMMARY

- A. This section describes general requirements, products, and methods of execution relating to on-site sanitary sewerage excluding portions within five feet of buildings unless otherwise noted. Any work within the public right-of-way shall be constructed to the standards of the local sanitation district, which would include one of the following: City of Fairfield; City of Vacaville; Vallejo Sanitation and Flood Control Department; and the State of California Department of Transportation.
 1. Sanitary Sewer System, including piping and structures.
- B. Contractor shall provide all labor, equipment, and materials, unless otherwise noted.
- C. Related Sections:
 1. Section 31 23 33 – TRENCHING, BACKFILLING, AND COMPACTING.

1.2 SUBMITTALS

- A. Comply with the requirements of Section SUBMITTAL PROCEDURES.
- B. Product Data: Manufacturer's literature and data, including, where applicable, pressure rating, capacity, labels, or other markings on equipment made to the specified standards for materials, for the following:
 1. Piping and fittings.
 2. Jointing material.
 3. Gaskets, couplings, and sleeves.
 4. Precast concrete structures, including manholes.
 5. Concrete mix design for sanitary structures.
 6. Manhole lids and frames.
 7. Steps.
 8. Pipe to Structure Connection Seal
 9. Clean-out boxes.
 10. Lift Station Vault.
 11. Pump Data.

1.3 QUALITY ASSURANCE

- A. Comply with the latest editions of the following Standards and Regulations:
 1. American Concrete Pipe Association (ACPA).
 - a. ACPA 01-102 (1988) Concrete Pipe Handbook.
 - b. ACPA 01-103 (1995) Concrete Pipe Installation Manual.
 2. American National Standards Institute (ANSI).
 - a. ANSI B18.5.2.1M (1981; R 1995) Metric Round Head Short Square Neck Bolts.
 3. American Railway Engineering & Maintenance-of-Way Association (AREMA).
 - a. AREMA 1-5 (2001) Pipelines.
 4. American Society for Testing and Materials (ASTM).
 - a. A 123/A 123M (2001a) Zinc (Hot-Dip Galvanized) Coatings on Iron and Steel Products.

- b. A 307 (2000) Carbon Steel Bolts and Studs, 60 000 PSI Tensile Strength.
- c. A 47 (1999) Ferritic Malleable Iron Castings.
- d. A 47M (1990; R 1996) Ferritic Malleable Iron Castings (Metric).
- e. A 48 (1994ae1) Gray Iron Castings.
- f. A 48M (1994e1) Gray Iron Castings (Metric).
- g. A 536 (1984; R 1999e1) Ductile Iron Castings.
- h. A 563 (2000) Carbon and Alloy Steel Nuts.
- i. A 563M (2001) Carbon and Alloy Steel Nuts (Metric).
- j. A 74 (1998) Cast Iron Soil Pipe and Fittings.
- k. A 746 (1999) Ductile Iron Gravity Sewer Pipe.
- l. C 12 (2002) Installing Vitrified Clay Pipe Lines.
- m. C 14 (1999) Concrete Sewer, Storm Drain, and Culvert Pipe.
- n. C 14M (1999) Concrete Sewer, Storm Drain, and Culvert Pipe (Metric).
- o. C 150 (2002) Portland Cement.
- p. C 260 (2001) Air-Entraining Admixtures for Concrete.
- q. C 270 (2001a) Mortar for Unit Masonry.
- r. C 301 (1998) Vitrified Clay Pipe.
- s. C 33 (2001a) Concrete Aggregates.
- t. C 361 (1999) Reinforced Concrete Low-Head Pressure Pipe.
- u. C 361M (1999) Reinforced Concrete Low-Head Pressure (Metric).
- v. C 425 (2002) Compression Joints for Vitrified Clay Pipe and Fittings.
- w. C 443 (2001) Joints for Circular Concrete Sewer and Culvert Pipe, Using Rubber Gaskets.
- x. C 443M (2001) Joints for Circular Concrete Sewer and Culvert Pipe, Using Rubber Gaskets (Metric).
- y. C 478 (1997) Precast Reinforced Concrete Manhole Sections.
- z. C 478M (1997) Precast Reinforced Concrete Manhole Sections (Metric).
- aa. C 494 Chemical Admixtures for Concrete.
- ab. C 564 (1997) Rubber Gaskets for Cast Iron Soil Pipe and Fittings.
- ac. C 700 (2002) Vitrified Clay Pipe, Extra Strength, Standard Strength, and Perforated.
- ad. C 76 (2000) Reinforced Concrete Culvert, Storm Drain, and Sewer Pipe.
- ae. C 76M (2000) Reinforced Concrete Culvert, Storm Drain, and Sewer Pipe (Metric).
- af. C 828 (2001) Low-Pressure Air Test of Vitrified Clay Pipe Lines.
- ag. C 920 (2002) Elastomeric Joint Sealants.
- ah. C 923 (2000) Resilient Connectors Between Reinforced Concrete Manhole Structures, Pipes and Laterals.
- ai. C 923M (1998) Resilient Connectors Between Reinforced Concrete Manhole Structures, Pipes and Laterals (Metric).
- aj. C 924 (1989; R 1997) Testing Concrete Pipe Sewer Lines by Low-Pressure Air Test Method.
- ak. C 924M (1989; R 1998) Testing Concrete Pipe Sewer Liner by Low-Pressure Air Test Method (Metric).
- al. C 94 (1994) Ready-Mixed Concrete.
- am. C 94/C 94M (2000e2) Ready-Mixed Concrete.
- an. C 969 (2000) Infiltration and Exfiltration Acceptance Testing of Installed Precast Concrete Pipe Sewer Lines.
- ao. C 969M (2000) Infiltration and Exfiltration Acceptance Testing of Installed Precast Concrete Pipe Sewer Lines (Metric).
- ap. C 972 (2000) Compression-Recovery of Tape Sealant.
- aq. C 990 (2001a) Joints for Concrete Pipe, Manholes, and Precast Box Sections Using Preformed Flexible Joint Sealants (Metric).
- ar. D 1784 (1999a) Rigid Poly(Vinyl Chloride) (PVC) Compounds and Chlorinated Poly(Vinyl Chloride) (CPVC) Compounds.
- as. D 1785 (1999) Poly(Vinyl Chloride)(PVC) Plastic Pipe, Schedules 40, 80, and 120.
- at. D 2235 (2001) Solvent Cement for Acrylonitrile-Butadiene-Styrene (ABS) Plastic Pipe and Fittings.
- au. D 2241 (2000) Poly(Vinyl Chloride) (PVC) Pressure-Rated Pipe (SDR Series).
- av. D 2321 (2000) Underground Installation of Thermoplastic Pipe for Sewers and Other Gravity-Flow Applications.
- aw. D 2412 (1996a) Determination of External Loading Characteristics of Plastic Pipe by Parallel-Plate Loading.
- ax. D 2464 (1999) Threaded Poly(Vinyl Chloride) (PVC) Plastic Pipe Fittings, Schedule 80.
- ay. D 2466 (2001) Poly(Vinyl Chloride)(PVC) Plastic Pipe Fittings, Schedule 40.
- az. D 2467 (2001) Poly(Vinyl Chloride) (PVC) Plastic Pipe Fittings, Schedule 80.
- ba. D 2680 (2001) Acrylonitrile-Butadiene-Styrene (ABS) and Poly(Vinyl Chloride) (PVC) Composite Sewer Piping.
- bb. D 2751 (1996a) Acrylonitrile-Butadiene-Styrene (ABS) Sewer Pipe and Fittings.
- bc. D 2996 (2001) Filament-Wound "Fiberglass" (Glass-Fiber-Reinforced Thermosetting-Resin) Pipe.
- bd. D 2997 (2001) Centrifugally Cast "Fiberglass" (Glass-Fiber-Reinforced Thermosetting-Resin) Pipe.
- be. D 3034 (2000) Type PSM Poly(Vinyl Chloride) (PVC) Sewer Pipe and Fittings.
- bf. D 3139 (1998) Joints for Plastic Pressure Pipes Using Flexible Elastomeric Seals.
- bg. D 3212 (1996a) Joints for Drain and Sewer Plastic Pipes Using Flexible Elastomeric Seals.
- bh. D 3262 (2002) "Fiberglass" (Glass-Fiber-Reinforced Thermosetting-Resin) Sewer Pipe.
- bi. D 3350 (2002) Polyethylene Plastics Pipe and Fittings Materials.
- bj. D 3753 (1999) Glass-Fiber-Reinforced Manholes.
- bk. D 3840 (2001) "Fiberglass" (Glass-Fiber-Reinforced Thermosetting-Resin) Pipe Fittings for Non-pressure Applications.
- bl. D 4101 (2002) Propylene Injection and Extrusion Materials.
- bm. D 412 (1998a) Vulcanized Rubber and Thermoplastic Rubbers and Thermoplastic Elastomers – Tension.
- bn. D 4161 (2001) "Fiberglass" (Glass-Fiber-Reinforced Thermosetting-Resin) Pipe Joints Using Flexible Elastomeric Seals.
- bo. D 624 (2000) Tear Strength of Conventional Vulcanized Rubber and Thermoplastic Elastomers.
- bp. F 1336 (2002) Poly(Vinyl Chloride) (PVC) Gasketed Sewer Fittings.
- bq. F 402 (1993; R 1999) Safe Handling of Solvent Cements, Primers, and Cleaners Used for Joining Thermoplastic Pipe and Fittings.
- br. F 405 (1997) Corrugated Polyethylene (PE) Tubing and Fittings.
- bs. F 477 (1999) Elastomeric Seals (Gaskets) for Joining Plastic Pipe.
- bt. F 714 (2001) Polyethylene (PE) Plastic Pipe (SDR-PR) Based on Outside Diameter.
- bu. F 758 (1995; R 2000) Smooth-Wall Poly(Vinyl Chloride) (PVC) Plastic Underdrain Systems for Highway, Airport, and Similar Drainage.

- bv. F 794 (1999) Poly(Vinyl Chloride) (PVC) Profile Gravity Sewer Pipe and Fittings Based on Controlled Inside Diameter.
- bw. F 894 (1998a) Polyethylene (PE) Large Diameter Profile Wall Sewer and Drain Pipe.
- bx. F 949 (2001a) Poly(Vinyl Chloride) (PVC) Corrugated Sewer Pipe with a Smooth Interior and Fittings.
- 5. ASME International (ASME).
 - a. B1.20.1 (1983; R 2001) Pipe Threads, General Purpose, Inch.
 - b. B16.1 (1998) Cast Iron Pipe Flanges and Flanged Fittings.
 - c. B18.2.2 (1987; R 1999) Square and Hex Nuts.
 - d. B18.5.2.2M (1982; R 2000) Metric Round Head Square Neck Bolts.
- 6. American Water Works Association (AWWA).
 - a. C104 (1995) Cement-Mortar Lining for Ductile-Iron Pipe and Fittings for Water.
 - b. C105 (1999) Polyethylene Encasement for Ductile-Iron Pipe Systems.
 - c. C110 (1998) Ductile-Iron and Gray-Iron Fittings, 3 In. Through 48 In. (76 mm through 1219 mm), for Water.
 - d. C111 (2000) Rubber-Gasket Joints for Ductile-Iron Pressure Pipe and Fittings.
 - e. C115 (1999) Flanged Ductile-Iron Pipe With Ductile-Iron or Gray-Iron Threaded Flanges.
 - f. C151 (1996) Ductile-Iron Pipe, Centrifugally Cast, for Water.
 - g. C153 (2000) Ductile-Iron Compact Fittings for Water Service.
 - h. C302 (1995) Reinforced Concrete Pressure Pipe, Noncylinder Type.
 - i. C600 (1999) Installation of Ductile-Iron Water Mains and Their Appurtenances.
 - j. C606 (1997) Grooved and Shouldered Joints.
 - k. C900 (1997) Polyvinyl Chloride (PVC) Pressure Pipe, and Fabricated Fittings, 4 In. Through 12 In. (100 mm Through 300 mm), for Water Distribution.
 - l. M23 (1980) Manual: PVC Pipe - Design and Installation.
 - m. M9 (1995) Manual: Concrete Pressure Pipe.
- 7. California Department of Transportation (CDT): Standard Specifications:
 - a. Section 55:
 - b. Section 70:
 - c. Section 75:
- 8. Cast Iron Soil Pipe Institute (CISPI).
 - a. 301 (2000) Hubless Cast Iron Soil Pipe and Fittings for Sanitary and Storm Drain, Waste, and Vent Piping Applications.
 - b. 310 (1997) Coupling for Use in Connection with Hubless Cast Iron Soil Pipe and Fittings for Sanitary and Storm Drain, Waste, and Vent Piping Applications.
- 9. Uni-Bell PVC Pipe Association (UBPPA).
 - a. UNI-B-3 (1992) Recommended Practice for the Installation of Polyvinyl Chloride (PVC) Pressure Pipe (Nominal Diameters 4-36 Inch).
 - b. UNI-B-6 (1990) Recommended Practice for the Low-Pressure Air Testing of Installed Sewer Pipe.
- 10. City of Fairfield Standard Plans and Specifications.
- 11. City of Vacaville Standard Plans and Specifications.
- 12. Vallejo Sanitation and Flood Control District Standard Plans and Specifications.
- 13. American Association of State Highway and Transportation Officials (AASHTO) for H20 Loading.
- 14. American Concrete Institute (ACI).
- 15. Other authorities having jurisdiction.

B. System Description: Grades and elevations are to be established with reference to the benchmarks referenced on the Plans.

1.4 DELIVERY, STORAGE, AND HANDLING

A. Delivery and Storage

- 1. Piping: Inspect materials delivered to site for damage; store with minimum of handling. Store materials on site in enclosures or under protective coverings. Store plastic piping and jointing materials and rubber gaskets under cover out of direct sunlight. Do not store materials directly on the ground. Keep inside of pipes and fittings free of dirt and debris.
- 2. Metal Items: Check upon arrival; identify and segregate as to types, functions, and sizes. Store off the ground in a manner affording easy accessibility and not causing excessive rusting or coating with grease or other objectionable materials.

B Handling

- 1. Handle pipe, fittings, and other accessories in such manner as to ensure delivery to the trench in sound undamaged condition. When handling lined pipe, take special care not to damage linings of pipe and fittings; if lining is damaged, make satisfactory repairs. Carry, do not drag, pipe to trench.

PART 2 – PRODUCTS

2.1 PIPING

- A. Polyvinyl Chloride (PVC) Pipe: PVC pipe conforming to ASTM D3034, SDR 26 with bell-and-spigot type of rubber gasket joints. Bells shall be integral with pipe. Spigot end pipe with separate double hub couplings is not acceptable.
- B. Vitrified Clay Pipe (VCP): VCP and fitting shall conform to ASTM C700, Extra Strength.

2.2 MANHOLES

- A. Manholes shall be pre-cast concrete of the size and shape shown on the Plans and shall conform to Sections 70-1.02H of the CDT Standard Specifications and to ASTM C478. Equivalent poured-in-place structures may be used at the Contractor's option. Concrete shall consist of Caltrans Type I/II cement.
- B. Frames and covers shall be cast iron conforming to Section 55-2.03 and 75-1.02 of the CDT Standard Specifications. Manhole covers shall have the words "SANITARY SEWER" in letters not less than 2 inches cast into the cover. The clear opening for all manhole covers shall be 24 inches.
- C. All interior concrete surfaces shall be coated with "Xypex Crystalline" or approved equivalent. Use of a water-resistant admix is acceptable, at contractor option.
- D. Frames and lids for manholes shall be match-marked in pairs before delivery to the job site. The lids shall fit into their frames without rocking.
- E. Reinforcing Bars: Reinforcing bars shall be of intermediate grade billet steel conforming to ASTM A615 and shall be of the size shown on the Standard Details or in the Plans. Bars shall be of the round deformed type, free from injurious seams, flaws, or cracks, and shall be cleaned of all rust, dirt, grease and loose scales.

- F. Portland Cement Concrete: Concrete for manhole bases, inlets, and other concrete structures shall conform to the requirements of CDT Section 90 and as herein specified. The concrete shall be Class "A" containing six (6) sacks of Portland Cement per cubic yard of concrete. The grading of the combined aggregate shall conform with the CDT requirements of the three-quarter inch maximum. The consistency of the fresh aggregate shall be such that the slump does not exceed four inches, as determined by Test Method No. Calif. 520. The concrete shall have a minimum design compressive strength of 3,000 psi after 28 days.

2.3 CLEAN-OUTS

- A. Where cleanouts are located in landscaping, a box shall be provided for each clean-out. Boxes shall be pre-cast concrete with cast iron frame and cover marked "SAN SEWER"; Christy G5 with G5C lid or approved equivalent. Where cleanouts are in hardscape, minimize the aesthetic impact of the cleanout by eliminating the concrete box (cleanout cover flush with hardscape).

2.4 PIPE TO STRUCTURE CONNECTOR/SEAL

- A. A flexible pipe to manhole connector shall be used for all pipe penetrations to pre-cast and/or cast-in-place concrete structures.
- The seal shall provide a flexible, positive, watertight connection between pipe and concrete wastewater structures. The connector shall assure that a seal is made between (1) the connector and the structure wall, and (2) between the connector and the pipe. The seal between the connector and the manhole wall shall be made by casting the connector integrally with the structure wall during the manufacturing process in such a manner that it will not pull out during coupling. The seal between connector and pipe will be made by way of a stainless steel take down band compressing the gasket against the outside diameter of the pipe.

The connector shall be molded from materials whose physical/chemical properties meet or exceed the physical/chemical resistant properties outlined in ASTM C-923. The connector and stainless steel hardware shall meet or exceed the performance requirements proscribed in ASTM C-923.

The connector shall be of size specifically designed for the pipe material being used and shall be installed in accordance with recommendations of the manufacturer.

- Connectors shall be Z-LOK or G3 connectors manufactured by A-LOK Products Inc. or approved equivalent.

PART 3 – EXECUTION

3.1 PIPE INSTALLATION

- A. Pipe shall be installed in conformance with Section 31 23 33 – TRENCHING, BACKFILLING AND COMPACTING, and manufacturer's recommendations.
- B. Pipe laying:
- No pipe shall be laid until the Geotechnical Project Manager inspects and approves the conditions of the bottom of the trench.
 - Pipe laying shall proceed "up grade" with the spigot section of the bell-and-spigot pipe pointing in the direction of the flow.

- Each section of pipe shall be laid true to line and grade and in such a manner as to form a close concentric joint with the adjoining pipe and to prevent sudden offsets in the flow line.
- Pipe shall not be laid when the condition of the trench or the weather is unsuitable.

C. Debris Control:

- The interior of the sewer pipe shall be kept clean of dirt and debris at all times. When work is not in progress, open ends of pipe and fittings shall be plugged.
- Where clearing after laying is difficult because of small pipe size, a suitable swab or squeegee shall be kept in the pipe and bulled forward past every joint immediately after joining has been completed.

3.2 POURED-IN-PLACE CONCRETE

- A. Concrete shall be mixed in accordance with applicable provisions of Section 90 of the CDT Standard Specifications.
- B. Construction of concrete structures shall conform to applicable provisions of Section 51 of the CDT Standards Specifications. Unless otherwise noted herein or in the Plans, exposed surfaces of structures shall be Class 1 surface finish.
- C. Curing shall conform to applicable portions in Section 90 of CDT Standard Specifications. No pigment shall be used in curing compounds. All work shall be subject to inspection. No concrete shall be placed until the Project Manager has approved the forms and reinforcement.
- D. Concrete shall not be dropped freely where reinforcing bars will cause segregation, nor shall it be dropped freely more than six feet. Spouts, elephant trunks, or other approved means shall be used to prevent segregation.

3.3 PIPELINE AIR TESTING AND FLUSHING

- A. All new sections of sanitary sewer shall be tested using the following procedures:
- Test is conducted between two consecutive manholes, or as directed by the Project Manager.
 - The test section of the sewer shall be plugged at each end. One of the plugs used at the manhole shall be tapped and equipped for the air inlet connection for filling the line from an air compressor.
 - All service laterals, stubs, and fittings into the sewer test section shall be properly capped or plugged and carefully braced against the internal pressure to prevent air leakage by slippage and blowout.
 - Connect air hose to tapped plug selected for the air inlet. Connect the other end of the air hose to the portable air control equipment, which consists of valves and pressure gauges used to control the air entry rate into the sewer test section, and to monitor the air pressure in the pipeline. More specifically, the air control equipment includes a shut-off valve, pressure regulating valve, pressure reduction valve, and a monitoring pressure gauge having a pressure range from 0-5 psi. The gauge shall have minimum divisions of 0.10 psi and an accuracy of 0.40 psi.
 - Connect another air hose between the air compressor (or other source of compressed air) and the air control equipment. This completes the test equipment set-up. Test operations may commence.
 - Supply air to the test section slowly, filling the pipeline until a constant pressure of 3.5 psig is maintained. The air pressure must be regulated to prevent the pressure inside the pipe from exceeding 5.0 psig.
 - When constant pressure of 3.5 psig is reached, throttle the air supply to maintain the internal pressure above 3.0 psig for at least 5 minutes. This time permits the

temperature of the entering air to equalize with the temperature of the pipe wall. During this stabilization period, it is advisable to check all capped and plugged fittings with a soap solution to detect any leakage at these connections. If leakage is detected at any cap plug, release the pressure in the line and tighten all leaky caps and plugs. Start the test operation again by supplying air. When it is necessary to bleed off the air to tighten or repair a faulty plug, a new 5-minute interval must be allowed after the pipeline has been refilled.

8. After the stabilization period, adjust the air pressure to 3.5 psig and shut-off or disconnect the air supply. Observe the gauge until the air pressure reached 3.0 psig. At 3.0 psig, commence timing with a stopwatch until the pressure drops to 2.5 psig, at which time the stop watch is stopped. The time required, as shown on the stopwatch, for a pressure loss of 0.5 psig is used to compute the air loss.
9. If the time, in minutes and seconds, for the air pressure drop from 3.0 to 2.5 psi is greater than that shown in the following table for the designated pipe size, the section undergoing test shall have passed and shall be presumed to be free of defects. The test may be discontinued at any time.
10. If the time, in minutes and seconds, for the 0.5 psig drop is less than that shown in the following table for the designated pipe size, the section of the pipe shall not have passed the test; therefore, adequate repairs must be made and the line retested.

Requirements for Air Testing

Pipe Size (in inches)	Time	
	Minutes	Seconds
4	2	32
6	3	50
8	5	6
10	6	22
12	7	39
14	8	56
15	9	35
16	10	12
18	11	34
20	12	30

(For larger diameter pipe use the following: Minimum time in seconds = 462 X pipe diameter in feet).

11. For 8 inch and smaller pipe, only: if, during the 5 minute saturation period, pressure drops less than 0.5 psig after the initial pressurization and air is not added, the pipe section undergoing test shall have passed.
12. Multi-pipe sizes: when the sewer line undergoing test is 8 inch or larger diameter pipe and includes 4 inch or 6 inch laterals, the figures in the table for uniform sewer main sizes will not give reliable or accurate criteria for the test. Where multi-pipe sizes are to undergo the air test, the Project Manager can compute the "average" size in inches which is then multiplied by 38.2 seconds. The results will give the minimum time in seconds acceptable for a pressure drop of 0.5 psig for the "averaged" diameter pipe.
13. Adjustment Required for Groundwater:
 - a. An air pressure correction is required when the ground water table is above the sewer line being tested. Under this condition, the air test pressure must be increased .433 psi for each foot the ground water level is above the invert of the pipe.
 - b. Where ground water is encountered or is anticipated to be above the sewer pipe before the air testing will be conducted, the following procedure shall be implemented at the time the sewer main and manholes are constructed.
 - i. Install a ½ inch diameter pipe nipple (threaded one or both ends, approximately 10 inch long) through the manhole wall directly on top of one of the sewer pipes entering the manhole with threaded end of nipple extending inside the manhole.

- ii. Seal pipe nipple with a threaded ½ inch cap.
- iii. Immediately before air testing, determine the ground water level by removing the threaded cap from the nipple, blowing air through the pipe nipple to remove any obstruction, and then connecting a clear plastic tube to the pipe nipple.
- iv. Hold plastic tube vertically permitting water to rise in it to the groundwater level.
- v. After water level has stabilized in plastic tube, measure vertical height of water, in feet, above invert of sewer pipe.
- vi. Determine air pressure correction, which must be added to the 3.0 psig normal starting pressure of test, by dividing the vertical height in feet by 2.31. The result gives the air pressure correction in pounds per square inch to be added.

Example: if the vertical height of water from the sewer invert to the top of the water column measures 11.55 feet, the additional air pressure required would be:

$$\frac{(11.55)}{(2.31)} = 5.0 \text{ psig}$$

Therefore, the starting pressure of the test would be 3.0 plus 5 or 8.0 psig, and the ½ pound drop becomes 7.5 psig. There is no change in the allowable drop (0.5 psig) or in the time requirements established for the basic air test.

- B. After the line has passed the air test, it shall be balled and flushed with water to clean. A metal screen shall be used downstream at the point of connection to the existing system to collect and remove any rock or other debris that is flushed out during cleaning.

3.4 DEFLECTION TESTING

- A. Upon completion of work, perform a deflection test on entire length of installed plastic pipeline. Completed work includes superimposed loads adjacent to and over the pipeline, such as compacted backfill and earthwork, and does not include paving, concrete curbs and gutters, sidewalks, walkways, and landscaping.
- B. Under external loads, deflection of pipe in the installed pipeline shall not exceed 4.5 percent of the average inside diameter of pipe.
- C. Determine whether the allowable deflection has been exceeded by use of a pull-through device or a deflection-measuring device.
- D. Pull-Through Device:
 1. Provide a spherical, spheroidal, or elliptical ball, a cylinder, or circular sections fused to a common shaft.
 - a. Circular sections shall be so spaced on the shaft that distance from external faces of front and back sections will equal or exceed diameter of the circular section.
 - b. Pull-through device may also be of a design approved by the Uni-Bell Plastic Pipe Association, provided that the device meets the applicable requirements specified in this paragraph, including those for diameter of the device.
 2. Ball, cylinder, or circular sections shall conform to the following:
 - a. A diameter, or minor diameter as applicable, of 95 percent of the average inside diameter of the pipe; tolerance of plus 0.5 percent will be permitted.
 - b. A homogeneous material throughout, with a density greater than 1.0 as related to water at 39.2 degrees F, and a surface Brinell hardness of not less than 150.

- c. Center bored and through bolted with a ¼ inch minimum diameter steel shaft having a yield strength of not less than 70,000 pounds per square inch, with eyes or loops at each end for attaching pulling cables.
 - d. Each eye or loop shall be suitably backed with a flange or heavy washer such that a pull exerted on opposite end of shaft will produce compression throughout remote end.
3. Pull-Through Device:
- a. Pass the pull-through device through each run of pipe, either by pulling it through or flushing it through with water.
 - b. If the device fails to pass freely through a pipe run, replace pipe which has the excessive deflection and completely retest in same manner and under same conditions as specified.

E. Deflection measuring Device:

- 1. Sensitive to 1.0 percent of the diameter of the pipe being tested and accurate to 1.0 percent of the indicated dimension.
- 2. Obtain approval of deflection measuring device prior to use.

F. Deflection Measuring Device Procedure:

- 1. Measure deflections through each run of installed pipe.
- 2. If deflection readings in excess of 4.5 percent of average inside diameter of pipe are obtained, retest pipe by a run from the opposite direction.
- 3. If retest continues to show a deflection in excess of 4.5 percent of average inside diameter of pipe, remove pipe which has excessive deflections, replace with new pipe, and completely retest in same manner and under same conditions.

G. Warranty Period Test: Pipe found to have a deflection of greater than 5 percent of average inside diameter when deflection test is performed just prior to end of 1 year warranty period shall be replaced with new pipe and tested as specified for leakage and deflection.

j. Irregular condition without logical explanation

End of Document

3.5 CLEANING

- A. Thoroughly clean storm drain lines, manholes, catch basins, field inlets, culverts, and similar structures, of dirt, debris, and obstructions of any kind.

3.6 TELEVISION INSPECTION

- A. After completion of the pipe installation, service connections, flushing and cleaning, and prior to placement of pavement, the sewer line shall be televised with a color closed-circuit television with tilt-head camera recorded in VHS format. The original videotape and log sheets shall be provided to the Project Manager for review.
 - 1. The following observations from television inspections will be considered defects in the construction of sewer pipelines and will require correction prior to placement of pavement:
 - a. Low spot (1 inch or greater - mainlines only).
 - b. Joint separations (¾ inch or greater opening between pipe sections).
 - c. Cocked joints present in straight runs or on the wrong side of pipe curves.
 - d. Chips in pipe ends.
 - e. Cracked or damaged pipe.
 - f. Dropped joints.
 - g. Infiltration.
 - h. Debris or other foreign objects.
 - i. Other obvious deficiencies.



Section 33 40 00 STORM DRAINAGE

PART 1 – GENERAL

1.1 SUMMARY

- A. This section describes general requirements, products, and methods of execution relating to on-site storm drainage excluding portions within five feet of buildings unless otherwise noted. Any work within the public right-of-way shall be constructed to the standards of the local Jurisdiction, which would include one of the following: City of Fairfield; City of Vacaville; City of Vallejo; and the State of California Department of Transportation.
- B. State of California Department of Transportation.
1. Storm drain piping.
 2. Storm drain structures including curb inlets, catch basins, area drains, and manholes.
 3. Storm drain outfalls.
 4. Culverts and headwalls.
 5. Storm drain pump station.
- C. Contractor shall provide all labor, equipment, and materials, unless otherwise noted.
- D. Related Sections:
1. Section 02315 – TRENCHING, BACKFILLING, AND COMPACTING.

1.2 SUBMITTALS

- A. Comply with the requirements of Section 01330 – SUBMITTAL PROCEDURES.
- B. Product Data: Manufacturer’s literature and data, including, where applicable, pressure rating, capacity, labels, or other markings on equipment made to the specified standards for materials, for the following:
1. Piping and fittings.
 2. Jointing material.
 3. Gaskets, couplings, and sleeves.
 4. Precast concrete structures, including manholes and drainage inlets.
 5. Concrete mix design for precast and cast-in-place structures.
 6. Manhole lids and frames.
 7. Manhole steps.
 8. Pipe to Structure Connection Seal
 9. Drainage inlet and area drain grates and frames.
 10. Pump station vaults.
 11. Pump data.

1.3 QUALITY ASSURANCE

- A. Comply with the latest editions of the following Standards and Regulations:
1. American Society for Testing and Materials (ASTM).
 - a. A74: Cast Iron Soil Pipe and Fittings.
 - b. A615: Deformed and Plain Billet-Steel Bars for Reinforcement.
 - c. B32: Solder Metal.
 - d. C76: Reinforced Concrete Culvert, Storm Drain, and Sewer Pipe.

- e. C150: Portland Cement.
 - f. C478: Precast Reinforced Concrete Manhole Sections.
 - g. C494: Chemical Admixtures for Concrete.
 - h. C920-02: Elastomeric Joint Sealants.
 - i. D2241-00: Poly (Vinyl Chloride) (PVC) Pressure-Rated Pipe (SDR Series).
 - j. D2680-01 Acrylonitrile-Butadiene-Styrene (ABS) and Poly (Vinyl Chloride) (PVC) Composite Sewer Piping.
 - k. D2729: Perforated PVC Drain Pipe.
 - l. D3034-00: Type PSM Polyvinyl Chloride (PVC) Sewer pipe and Fittings.
 - m. F1336-02: Poly(Vinyl Chloride) (PVC) Gasketed Sewer Fittings.
2. California Department of Transportation (CDT): Standard Specifications:
- a. Section 51: Concrete Structures
 - b. Section 52: Reinforcement
 - c. Section 55: Steel Structures
 - d. Section 66: Corrugated Facilities
 - e. Section 70: Miscellaneous Metal
 - f. Section 72: Slope Protection
 - g. Section 75: Miscellaneous Metal
 - h. Section 90: Portland Cement Concrete
3. City of Fairfield Standard Plans and Specifications.
 4. City of Vacaville Standard Plans and Specifications.
 5. City of Vallejo Standard Plans and Specifications.
 6. American Association of State Highway and Transportation Officials (AASHTO) for H20 Loading.
 7. American Concrete Institute (ACI).
 8. Other authorities having jurisdiction.

- B. System Description: Grades and elevations are to be established with reference to the benchmarks referenced on the Plans.

PART 2 – PRODUCTS

2.1 PIPING

- A. Polyvinyl Chloride (PVC) Pipe: PVC pipe conforming to ASTM D3034, SDR 35 with bell-and-spigot type of rubber gasket joints. Bells shall be integral with pipe. Spigot end pipe with separate double hub couplings is not acceptable.
- B. Reinforced Concrete Pipe (RCP): RCP shall conform to ASTM C76 with tongue-and-groove or bell-and-spigot joints. Unless indicated otherwise on the plans, all reinforced concrete pipe shall be Class III, 1350-D pipe.
- C. High-Density Polyethylene (HDPE) Pipe: HDPE pipe conforming to ASTM D3212, or ASTM 1417 for pipe sizes four inch - 60 inch (ADS N-12 1B WT pipe or equivalent).

2.2 MANHOLES

- A. Manholes shall be pre-cast concrete of the size and shape shown on the Drawings and shall conform to Sections 70-1.02H of the CDT Standard Specifications and to ASTM C478. Equivalent poured-in-place structures may be used at the Contractor’s option. Concrete shall consist of Caltrans Type I/II cement.
- B. Frames and covers shall be cast iron conforming to Section 55-2.03 and 75-1.02 of the CDT Standard Specifications. Manhole covers shall have the words “STORM DRAIN” in letters not less than 2-inches cast into the cover. The clear opening for all manhole covers shall be 24 inches.

- C. All interior concrete surfaces shall be coated with “Xypex Crystalline” or equal. Use of a water-resistant admix is acceptable, at Contractor option.
- D. Frames and grates for manholes and catch basins shall be match-marked in pairs before delivery to the job site. The grates shall fit into their frames without rocking. Grates shall have a maximum opening of one-half inch between bars, unless otherwise noted in the Plans.
- E. Reinforcing Bars: Reinforcing bars shall be of intermediate grade billet steel conforming to ASTM A615 and shall be of the size shown on the Standard Details or in the Drawings. Bars shall be of the round deformed type, free from injurious seams, flaws, or cracks, and shall be cleaned of all rust, dirt, grease and loose scales.
- F. Portland Cement Concrete: Concrete for manhole bases, inlets, and other concrete structures shall conform to the requirements of CDT Section 90 and as herein specified. The concrete shall be Class “2” containing at least six (6) sacks of Portland Cement per cubic yard of concrete. The grading of the combined aggregate shall conform with the CDT requirements of the three-quarter inch maximum. The consistency of the fresh aggregate shall be such that the slump does not exceed four inches, as determined by Test Method No. Calif. 520. The concrete shall have a minimum design compressive strength of 3,000 psi after 28 days.

2.3 PIPE TO STRUCTURE CONNECTOR/SEAL

- A. A flexible pipe to manhole connector shall be used for all pipe penetrations and/or cast-in-place concrete structures.
 - 1. The seal shall provide a flexible, positive, watertight connection between pipe and concrete wastewater structures. The connector shall assure that a seal is made between (1) the connector and the structure wall, and (2) between the connector and the pipe. The seal between the connector and the manhole wall shall be made by casting the connector integrally with the structure wall during the manufacturing process in such a manner that it will not pull out during coupling. The seal between connector and pipe will be made by way of a stainless steel take down band compressing the gasket against the outside diameter of the pipe.
 - a. The connector shall be molded from materials whose physical/chemical properties meet or exceed the physical/chemical resistant properties outlined in ASTM C-923. The connector and stainless steel hardware shall meet or exceed the performance requirements proscribed in ASTM C-923.
 - b. The connector shall be of size specifically designed for the pipe material being used and shall be installed in accordance with recommendations of the manufacturer.
 - 2. Connectors shall be Z-LOK or G3 connectors manufactured by A-LOK Products Inc. or approved equivalent.

2.4 AREA DRAINS

- A. Grate and Riser: Area drain shall be ADS model 2718 AG or approved equal. Riser shall be constructed of 6-inch PVC SDR 35 piping per paragraph 2.1(A) of this section and connected to area drain by a gasket joint. Riser shall be vertical except as otherwise noted in the plans. Riser may include a reducer if necessary to make connection to the storm drain line.

- B. Elevation and Grading: Area Drain rim elevation shall be set and area around area drain shall be graded to drain away from any adjacent structures, walks, or roadways and towards area drain.

2.5 CLEAN-OUTS

- A. A valve box shall be provided for each clean-out. Boxes shall be pre-cast concrete with cast iron frame and cover marked “STORM DRAIN”; Christy G5 with G5C lid or approved equivalent.

2.6 CULVERT AND OUTFALL HEADWALLS

- A. All headwalls shall be constructed in conformance with CDT Standard Plans as indicated.

PART 3 – EXECUTION

3.1 PIPE INSTALLATION

- A. Pipe shall be installed in conformance with Section 02315, and manufacturer’s recommendations.
- B. Pipe laying:
 - 1. No pipe shall be laid until the Geotechnical Engineer inspects and approves the conditions of the bottom of the trench.
 - 2. Pipe laying shall proceed “up grade” with the spigot section of the bell-and-spigot pipe pointing in the direction of the flow.
 - 3. Each section of pipe shall be laid true to line and grade and in such a manner as to form an close concentric joint with the adjoining pipe and to prevent sudden offsets in the flow line.
 - 4. Pipe shall not be laid when the condition of the trench or the weather is unsuitable.
- C. Debris Control:
 - 1. The interior of the storm pipe shall be kept clean of dirt and debris at all times. When work is not in progress, open ends of pipe and fittings shall be plugged.
 - 2. Where clearing after laying is difficult because of small pipe size, a suitable swab or squeegee shall be kept in the pipe and pulled forward past every joint immediately after joining has been completed.

3.2 POURED-IN-PLACE CONCRETE

- A. Concrete shall be mixed in accordance with applicable provisions of Section 90 of the CDT Standard Specifications. Concrete shall consist of Type I/II cement.
- B. Construction of concrete structures shall conform to applicable provisions of Section 51 of the CDT Standards Specifications. Unless otherwise noted herein or in the Drawings, exposed surfaces of structures shall be Class 1 surface finish.
- C. Curing shall conform to applicable portions in Section 90 of CDT Standard Specifications. No pigment shall be used in curing compounds. All work shall be subject to inspection. No concrete shall be placed until the Project Manager has approved the forms and reinforcement.



- D. Concrete shall not be cropped freely where reinforcing bars will cause segregation, nor shall it be dropped freely more than six feet. Spouts, elephant trunks, or other approved means shall be used to prevent segregation.

3.3 PIPELINE FLUSHING

- A. Newly constructed storm drain pipes shall be flushed with water to clean. A metal screen shall be used to collect and remove any rock, silt and other debris that is flushed out during cleaning.

3.4 DEFLECTION TESTING

- A. Upon completion of work, perform a deflection test on entire length of installed plastic pipeline. Completed work includes superimposed loads adjacent to and over the pipeline, such as compacted backfill and earthwork, and does not include paving, concrete curbs and gutters, sidewalks, walkways, and landscaping.
- B. Under external loads, deflection of pipe in the installed pipeline shall not exceed 4.5 percent of the average inside diameter of pipe.
- C. Determine whether the allowable deflection has been exceeded by use of a pull-through device or a deflection-measuring device.
- D. Pull-Through Device:
 - 1. Provide a spherical, spheroidal, or elliptical ball, a cylinder, or circular sections fused to a common shaft.
 - a. Circular sections shall be so spaced on the shaft that distance from external faces of front and back sections will equal or exceed diameter of the circular section.
 - b. Pull-through device may also be of a design approved by the Uni-Bell Plastic Pipe Association, provided that the device meets the applicable requirements specified in this paragraph, including those for diameter of the device.
 - 2. Ball, cylinder, or circular sections shall conform to the following:
 - a. A diameter, or minor diameter as applicable, of 95 percent of the average inside diameter of the pipe; tolerance of plus 0.5 percent will be permitted.
 - b. A homogeneous material throughout, with a density greater than 1.0 as related to water at 39.2 degrees F, and a surface Brinell hardness of not less than 150.
 - c. Center bored and through bolted with a ¼ inch minimum diameter steel shaft having a yield strength of not less than 70,000 pounds per square inch, with eyes or loops at each end for attaching pulling cables.
 - d. Each eye or loop shall be suitably backed with a flange or heavy washer such that a pull exerted on opposite end of shaft will produce compression throughout remote end.
 - 3. Pull-Through Device:
 - a. Pass the pull-through device through each run of pipe, either by pulling it through or flushing it through with water.
 - b. If the device fails to pass freely through a pipe run, replace pipe which has the excessive deflection and completely retest in same manner and under same conditions as specified.
- E. Deflection measuring Device:
 - 1. Sensitive to 1.0 percent of the diameter of the pipe being tested and accurate to 1.0 percent of the indicated dimension.

- 2. Obtain approval of deflection measuring device prior to use.

F. Deflection Measuring Device Procedure:

- 1. Measure deflections through each run of installed pipe.
- 2. If deflection readings in excess of 4.5 percent of average inside diameter of pipe are obtained, retest pipe by a run from the opposite direction.
- 3. If retest continues to show a deflection in excess of 4.5 percent of average inside diameter of pipe, remove pipe which has excessive deflections, replace with new pipe, and completely retest in same manner and under same conditions.

- G. Warranty Period Test: Pipe found to have a deflection of greater than 5 percent of average inside diameter when deflection test is performed just prior to end of 1 year warranty period shall be replaced with new pipe and tested as specified for leakage and deflection.

3.5 CLEANING

- A. Thoroughly clean storm drain lines, manholes, catch basins, field inlets, culverts, and similar structures, of dirt, debris, and obstructions of any kind.

3.6 TELEVISION INSPECTION

- A. After completion of the pipe installation, service connections, flushing and cleaning, and prior to placement of pavement, the storm drainage line shall be televised with a color closed-circuit television with tilt-head camera recorded in VHS format. The original videotape and log sheets shall be provided to the District.
 - 1. The following observations from television inspections will be considered defects in the construction of sewer pipelines and will require correction prior to placement of pavement:
 - a. Low spot (1 inch or greater - mainlines only).
 - b. Joint separations (3/4 inch or greater opening between pipe sections).
 - c. Cocked joints present in straight runs or on the wrong side of pipe curves.
 - d. Chips in pipe ends.
 - e. Cracked or damaged pipe.
 - f. Dropped joints.
 - g. Infiltration.
 - h. Debris or other foreign objects.
 - i. Other obvious deficiencies.
 - j. Irregular condition without logical explanation.

End of Document

Section 33 50 00 NATURAL GAS DISTRIBUTION PIPING

PART 1 - GENERAL

1.1 SUMMARY

- A. This section describes general requirements, products, and methods of execution relating to on-site natural gas piping serving all buildings and structures. Unless otherwise noted, this section does not apply to natural gas systems, equipment and appurtenances, inside and within 5 feet of buildings.
- B. Contractor shall provide all labor, equipment, materials, and testing services unless otherwise noted.
- C. Related Sections:
 - 1. Section 31 23 33 – TRENCHING, BACKFILLING AND COMPACTING

1.2 SUBMITTALS

- A. Comply with requirements of Section SUBMITTAL PROCEDURES.
- B. Product Data: Manufacturer's literature and data, including, where applicable, sizes, pressure rating, rated capacity, listing/approval stamps, labels, or other markings made to the specified standards, for the following:
 - 1. Piping and fittings.
 - 2. Gaskets, couplings, sleeves, and assembly bolts and nuts.
 - 3. Gate valves and ball valves.
 - 4. Valve boxes, frames and covers.
 - 5. Meter boxes, frames and covers.
 - 6. Tapping sleeves and tapping valves.
 - 7. Service saddles and corporation stops.
 - 8. Identification materials and devices.
- C. Shop Plans and Calculations: None required.
- D. Test Reports: Provide as necessary.

1.3 QUALITY ASSURANCE

- A. Comply with the latest edition of the following Standards and Regulations:
 - 1. Pacific Gas & Electric Company Standard Specifications and Plans.
 - 2. State of California Public Utilities Commission Requirements.
 - 3. American Society of Testing and Materials (ASTM).
 - a. ASTM D2513 Thermoplastic Gas Pressure Pipe, Tubing and Fittings.
 - b. ASTM D2683 Standard Specification for Socket-Type Polyethylene Fittings for Outside Diameter-Controlled Polyethylene Pipe and Tubing.
 - c. ASTM D3139 Standard Specification for Joints for Plastic Pressure Pipes Using Flexible Elastomeric Seals.
 - d. ASTM D3261 Standard Specification for Butt Heat Fusion Polyethylene (PE) Plastic Fittings for Polyethylene (PE) Plastic Pipe and Tubing.

- e. ASTM D3350 Standard Specification for Polyethylene Plastics Pipe and Fittings Materials.
 - f. ASTM F477 Standard Specification for Elastomeric Seals (Gaskets) for Joining Plastic Pipe.
 - g. ASTM F1055 Standard Specification for Electrofusion Type Polyethylene Fittings for Outside Diameter Controlled Polyethylene Pipe and Tubing.
 - h. ASTM F1056 Standard Specification for Socket Fusion Tools for Use in Socket Fusion Joining Polyethylene Pipe or Tubing and Fittings.
 - i. ASTM A53/A53M Standard Specification for Pipe, Steel, Black and Hot-Dipped, Zinc-Coated, Welded and Seamless.
 - j. ASTM A795 Standard Specification for Black and Hot-Dipped Zinc-Coated (Galvanized) Welded and Seamless Steel Pipe for Fire Protection Use.
 - k. ASTM A865 Standard Specification for Threaded Couplings, Steel, Black or Zinc-Coated (Galvanized) Welded or Seamless, for Use in Steel Pipe Joints.
 - l. ASTM B88 Standard Specification for Seamless Copper Water Tube.
 - 4. Plastics Pipe Institute (PPI)
 - a. Underground Installation of Polyethylene Pipe.
 - b. Polyethylene Joining Procedures.
 - c. Inspections, Test and Safety Considerations.
 - 5. American Association of State Highway and Transportation Officials (AASHTO) for H20 Loading
 - 6. American Concrete Institute (ACI)
 - a. ACI 348 - Meter Pit Construction
 - 7. Other authorities having jurisdiction.
- B. System Description: Grades and elevations are to be established with benchmarks referenced on Plans.
 - C. All testing of systems specified in this section shall be witnessed by representatives of the inspector or local authority. Provide at least 7 days notice.

PART 2 - PRODUCTS

2.1 MATERIALS

- A. Piping:
 - 1. Schedule 40 steel pipes, with malleable iron fittings.
 - a. Maximum service pressure of pipe shall be 125 psi.
 - b. Maximum service temperature of pipe shall be 250 degrees F.
 - c. Provide Teflon® tape pipe joint compound as sealant on all pipe threads.
 - 2. Polyethylene 2406 piping, with PE fittings.
- B. Protective Coating for Underground Steel Pipe: Provide extruded polyethylene sheath, manufactured by Amstead "Plexco."
 - 1. Provide yellow color Federal Specification L-C-530.
 - 2. Provide sealed fittings and couplings sealed using heat-cured sheath shrunk in place, Raychem "Thermofit" sleeves.
- C. Provide shutoff valve at the point of connection where the new gas service connects to the existing underground service stub.
- D. Valve Box: For each valve, provide concrete boxes as specified in Section 02510, WATER SYSTEMS, except that cover shall have cash letters reading "Gas".

- E. Valves: Provide UL approved and listed ball valves with threaded ends and level handle.
 1. Acceptable manufacturers: Worcester "Econo-Miser" or Hills-McCanna.
 2. Equivalent products will be considered when submitted in accordance with "Substitutions" as specified in Section 01600 - PRODUCT REQUIREMENTS.
- F. Provide 2-inch wide yellow warning tape reading "Caution Medium Pressure Gas Buried Below".

2.2 MATERIALS

- A. Polyethylene (PE) Pipe: All plastic pipe installed shall be medium density PE 2406 TR-418 "GAS" pipe manufactured in accordance with the latest listed edition of ASTM D-2513. All pipes will be supplied in straight 40 foot lengths. All PE-to-PE connections shall be Butt Fusion Type made in the presence of a qualified inspector.
- B. Polyethylene (PE) Fittings: All plastic fittings shall be medium density PE 2406, TR-418 "GAS" fittings manufactured in accordance with the latest listed edition of ASTM D-2513 and ASTM D-3261. All fittings shall have Butt End outlets.
- C. Polyethylene (PE) Valves: All plastic valves shall be medium density PE 2406, TR-418 "GAS" valves manufactured in accordance with the latest listed edition of ASTM D-2513 and ASTM D-3261. All valves shall have Butt End outlets.
- D. Pipe Scratches or Cuts: Pipe that has scratches, notches, cuts or any other abrasions that exceed 10% of the pipe wall thickness shall not be used on the project and shall be disposed of. The Contractor shall inspect all pipes and reject any pipe that has scratches exceeding 10% of the pipe wall thickness. The Contractor will be responsible for the cost of all defective or damaged pipe that he accepts, costs will be deducted from payments. The Contractor shall use pipe stands, spooling devices, or other means to avoid damaging the pipe during installation. The Contractor shall observe the pipe during installation for scratches, gouges or other defects. If defects are present, the Contractor shall remove and discard the damaged section of pipe.
- E. Minimum Bending Radius: The minimum bend radius for plastic pipe is twenty times the outer diameter. The Contractor shall not bend plastic pipe to a radius less than twenty times the outside diameter of the pipe. Fittings shall not be installed in pipe that is bent or curved to conform to trench dimensions.
- F. Tracer Wire: Tracer wire shall be attached to the pipe with all non-metallic electric tape at intervals not exceeding 3 feet. All connections between tracer wires shall be made with the split bolt connectors and wrapped with electric tape. See Section 02315 for specifications of tracer wire.

PART 3 - EXECUTION

3.1 EXAMINATION

- A. Examine surfaces of site and work area for suitable conditions where gas service is be installed.
- B. Do not begin installation until unsatisfactory conditions have been corrected.

3.2 ABANDONMENT OF EXISTING UNDERGROUND PIPE

- A. Existing gas pipe to be abandoned in place shall be capped at each end, evacuated of all natural gas, pressure tested per section 2.4B, and pressurized with nitrogen gas to a pressure not less than 5 PSIG.

3.3 INSTALLATION

- A. Provide protective covers having an extruded polyvinyl chloride outer coating for underground pipe and fittings.
 1. Provide "Thermofit" fitting sleeves shrunk in place over joints and fittings after welding and testing of piping.
 2. As an option, provide 2-layer wrap of 3M No. 53, 10-mil thickness tape.
- B. Depth of Cover for Underground Piping: 2-foot, 6-inches minimum.
- C. Sand Encasement:
 1. For protective-coated pipe, provide 3-inch minimum thickness of clean, washed and graded building sand.
 2. Apply after all coatings have been finished.
- D. Installation shall conform to ANSI B31.8.
- E. Location of Service Piping: Service pipe shall enter building wall in areaway or above ground.
- F. Provide backfill and compaction of trenches as specified in Section 02300 - EARTHWORK AND GRADING.

3.4 FIELD QUALITY CONTROL

- A. Blowing Out Piping:
 1. Blow out piping with air immediately prior to pressure testing.
 2. The flow shall be a velocity of at least 100 feet per second.
 3. Blow out piping for at least 20 minutes and continue until the effluent is clear and contains no visible particulate matter.
- B. Field Tests:
 1. Tests shall conform to requirements in ANSI B31.8; conduct tests prior to backfilling.
 2. Air pressure test shall be at a pressure of 100 psig, duration 30 minutes minimum.
 3. The Inspector of Record shall witness all field tests.
 4. Conduct tests, providing labor, equipment and incidentals required for testing. If any failure occurs during testing, provide replacements as directed by the Project Manager and repeat tests until satisfactory installation and operation are achieved.
- C. May conduct and provide report of 12,000V Tinker Riser Test.

End of Document

Telecomm Standards

DESIGN STANDARD FOR TELECOMMUNICATIONS

Purpose:

The purpose of this document is to standardize the basic elements of the telecommunications systems design process. The design standard has the purpose of creating a consistent application of telecommunications systems design throughout the Solano Community College (SCC) District, therefore achieving a standard of quality for maintenance and reliability throughout all renovation and new building projects. This standard serves as a supporting document part of the overall Solano Community College Technology Plan (2013-2015). Deviations from this standard shall be approved by SCC.

Telecommunications Systems-Related Support Staff and Committees:

Chief Technology Officer
Director, Technology Services & Support
Desktop Services
Network Services
The Strategic Technology Advisory Committee (STAC)

Design Standard:

I. TELECOM IDF/MDF ROOMS

- A. Minimum size of the IDF is to be 8' x 9'.
- B. Minimum size of the MDF is to be 10' x 13' and shall not be co-located with electrical equipment due to EMI-mechanical noise transmitted from the electrical equipment.
- C. IDF should have a hard ceiling for security purposes.
- D. IDF/MDF rooms should not have any water sprinklers in the room.
- E. Room must be well lit. Lighting fixtures shall be coordinated with any horizontal cable tray or other ceiling mounted equipment.
- F. No equipment other than that related to the voice/data network should be located in the IDF's/MDF's. This includes but not limited to FACP, lighting control equipment, electrical panels, EMS, etc.
- G. Regular 110v receptacles should be located at standard locations around the room.

- H. Some form of standalone air conditioning must be provided to adequately cool the space when fully equipped. Cooling capacity shall be calculated taking into account all equipment planned for the room. Rooms should not be on building Air system.
- I. There should be 3' of clear space on all 4 sides of the 2' x 3.25' cabinet. If necessary for placement of an additional cabinet or future placement of an additional cabinet this requirement can be modified to 3' of clear space in the front, rear and one side of the cabinet.
- J. Access to IDF/MDF to be by electronic key card or keypad, and only Technology Services & Support staff is to be issued access cards or codes. In cases where an IDF is shared with Maintenance & Operation (M&O), only essential M&O staff is to have access to the IDF/MDF (i.e. Engineers, Director, and Assistant Director). Before issuing an access card or code to anyone for any IDF/MDF the Director of Technology Services & Support must be consulted.
- K. Where possible, doors to the IDF/MDF should not have windows or signage other than room numbers (for security purposes). If IDF/MDF doors must have windows, windows are to be blacked out.
- L. A phone is to be located on one wall of the IDF/MDF room, typically on the door wall.

II. CABINETS

- A. Refer to the document SCC – TSS Telecommunications Cabling Materials List for standard cabinet models and accessories (fan kit).
- B. Secure cabinet(s) to floor utilizing CPI brackets and drop-in anchors.
- C. Secure top of cabinet(s) utilizing appropriate size ladder rack attached to cabinet with CPI elevation kits.
- D. Install CPI vertical wire managers and fan-kits to cabinet. Fans shall be connected to power and operational.
- E. Install cabinet provided vertical wire management @ rear of cabinet.
- F. Install square punched rails in cabinet; contractor to provide necessary cage nuts and mounting screws for all equipment being installed in rack.
- G. Install hardware in cabinet based on 1. = top U holes:
 1. Fiber LIU (with single-mode fiber terminated first left to right and then followed by MM). LIU shall be installed in the top 1U of the cabinet
 2. Wire management shall be installed on the sides of the patch panels as well as between each Data/Voice patch panel

3. Data patch panel(s) shall be KRONE CAT 6 and 568B compliant
 4. Copper cable (CAT3) terminated on patch panel. All data patch panels shall be terminated first, and then the CAT 3 cable shall be terminated on a voice patch panel at the end of the data patch panel sequence. There shall be one pair per port (termination on the White/Blue pair for voice) with the Violet/Slate pair un-terminated and left as a spare.
 5. District supplied network switches
 6. District supplied UPS
 7. District supplied PDU (extra outlets for equipment)
- H. Two electrical outlets (30amp w/L5-R30 receptacles) to be installed @ top of rack height inside cabinet.
- I. Customer provided UPS power cord will be run from UPS on floor of cabinet through rear vertical wire manager to electrical outlet.

III. BACKBOARD LAY-OUT

- A. Refer to the document SCC – TSS Telecommunications Cabling Materials List for standard cabling materials.
- B. Backboard: 4' X 8' X 3/4" plywood should be installed on only one wall (to be determined by cabinet position)
- C. Backboard shall be installed starting 4" above the finished floor, shall be fire-rated plywood painted white. Fire rated sticker shall not be painted over.
- D. Copper feed cable is to be terminated in appropriate sized protected terminal (50pr, 100pr etc.). Terminal is to be grounded to bus bar.
- E. CAT3 copper cable to be terminated on "out" of protected terminal to patch panel in cabinet. (routed overhead on ladder rack)

IV. CABLING & CABLE ROUTING

- A. Refer to the document SCC – TSS Telecommunications Cabling Materials List for standard cabling materials.
- B. All drop cables routed into MDF/IDF to be installed through appropriate sized sleeves with bushings.
- C. All drop cables to be "split out" by number (ie; 1-12, 13-24) and brought into cabinet on opposing sides of patch panel.

- D. All cables will be tested for compliance (using MicroTek or similar device) with results provided to district in printed and in an electronic form acceptable to the district.
- E. All ladder rack to be grounded to provided bus bar.
- F. Labeling standard is Room#-drop (i.e. 128-10) number starting in left corner of room and moving clockwise around room. Drops number are sequential from room to room (i.e. 128-20, 129-21, etc.).
- G. All cables to be terminated 568B.
- H. All phone connectivity is to be VOIP with all cables to be ADC blue CAT6.
- I. Customer/Architect to determine PVC vs. plenum rated cable.
- J. ADC faceplate and jack insert color is typically Ivory.
- K. Cable numbering to be determined by sequence: floor, closet #, drop number. Two drop locations to be labeled 1/2 and three plus drop locations to be labeled 1-3. Example: 1st floor closet # 1 would read: 1.1.1/2 or 1.1.1-3.
- L. All fiber required to be extended shall match existing hybrid fiber count.
- M. All fiber will be tested using OTDR with results provided to district in printed and in an electronic form acceptable to the district.
- N. Extended fiber shall be fusion spliced in approved fiber splice case.
- O. Single mode patch cords are to be installed from fiber LIU to fire panel. Alarm vendor will plug in @ panel.
- P. Copper cable required to be extended can "splice thru" on A110 blocks.
- Q. All cabling should be routed according to industry standards and supported in cable hangers or cable trays.
- R. Cable hangers will not be attached to ceiling tie wires. The first choice by cabling vendor will be to install their own wires or wall mount hangers. Where this is not possible due to existing conditions, there may be existing wires that are unattached to the grid or utilized for other mechanical support that can be utilized.
- S. Industry standards apply to fire stop installation and will be dictated by field conditions.
- T. Phones are to be co-located with data and terminated on patch panel in cabinet

- U. Need data runs for HVAC (copper) and fire alarms (fiber). A cat 6 drop must be placed near the HVAC controller. A fiber patch cable must be run in conduit from the FACP location to the IDF.
- V. Standard is Cat6 cabling
- W. Cabinet as well as station patch cords are to be provided by contractor in lengths and quantities as specified by customer (usually the number of ports terminated for cabinet quantity– 3' & 7' lengths).
- X. Standard drop count for an employee work location is 3 drops. Standard drop count for a student station is 1 drop plus 1 printer drop for every 20 computers.
- Y. Standard materials are to be used as listed on the Solano Community College - Technology Services & Support Telecommunications Cabling Materials List.
- Z. All building projects must include above ceiling cabling for installation of PoE wireless access points.
- AA. Electronic and printed forms of as built drawings must be provided to IT.
- BB. All newly installed cabling must be tested and performance test results shall be submitted to SCC IT.

V. WIRELESS NETWORK

- A. All building projects must include installation of wireless access points to cover the interior of the building (location diagram will be supplied by district).
- B. All interior wireless access points are Power over Ethernet (PoE) and therefore DO NOT require a power receptacle to be placed near the access point device.
- C. All exterior wireless access points have an external antenna and the device MAY REQUIRE a power receptacle to be located in close proximity to the device. Coordinate requirements with SCC IT.
- D. Wireless access points require a Cat6 cable terminated with an RJ45 connector in a biscuit box to be located per the district supplied drawings and routed to the IDF/MDF. Every effort should be made to keep the wireless access point cables to be terminated in a group on the patch panel and clearly identified. Cabling and termination is vendor supplied (i.e. patch panels, biscuit box, etc.).
- E. Access points are to be mounted per manufacturer supplied instructions and are generally surface mounted on the ceiling at district specified locations. Actual placement can vary slightly depending on conditions at the specified locations.

- F. All cabling to access points are to be tested per industry standards.
- G. All wireless access points are district supplied/contractor installed.

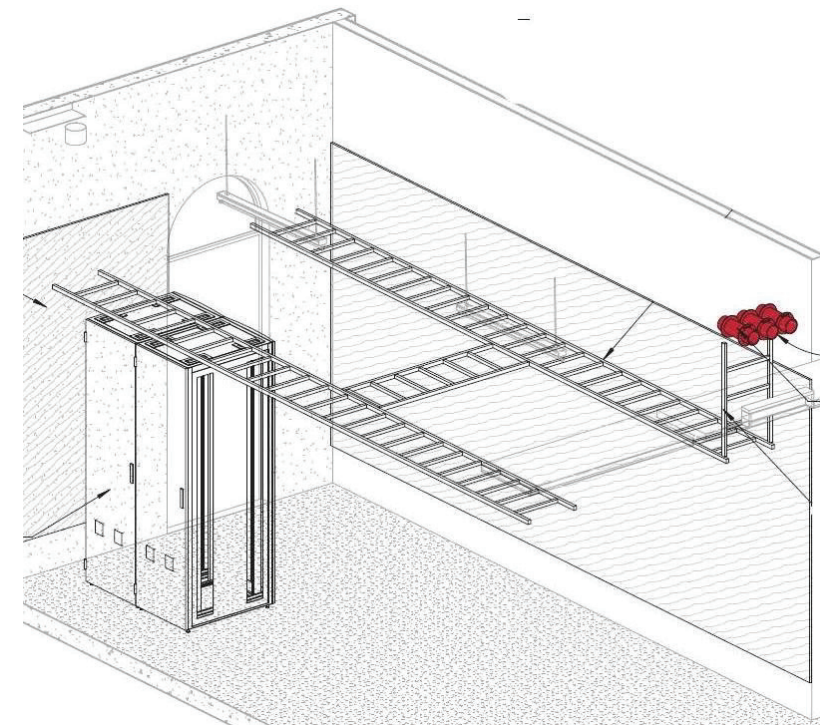
VI. PHONES

- A. All phones are to be VoIP phones except where analog lines are necessary (i.e. emergency phones, fax lines, etc.).
- B. District standard VoIP phones are CISCO brand.
- C. All VoIP phones plug into CISCO PoE (Power over Ethernet) switches.
- D. Lines for emergency equipment (emergency phones, fire alarms, security alarms, etc.) are to be 1MB's provided by the district's Telco carrier and NOT part of the district phone system.
- E. Each building is to have wall mounted courtesy/emergency phones in each hallway.

VII. ACCESS TO TELECOM SPACES

- A. Contractors shall contact SCC IT for proper badging and access to telecom spaces. Request for access shall be submitted in writing and follow the District's guidelines and procedures.

Typical IDF Room Layout



Approved Manufacturers:

Equipment Racks and Cabinets:

1. Middle Atlantic Products
2. CPI – Chatsworth Products
3. Panduit

Wireless Access Points:

1. Refer to SCC IT for list of approved manufacturers

Copper Patch Panels:

1. Panduit
2. Siemen

Fiber Patch Panels:

1. Panduit
2. Siemen

Category Cable / Patch Cords:

1. General Cable
2. Mohawk
3. Berk-Tek

Fiber Cable / Patch Chords:

1. General Cable
2. Mohawk
3. Berk-Tek

Wire Managers:

1. Middle Atlantic Products
2. CPI – Chatsworth Products

3. Panduit

Ladder Rack / Cable Tray:

2. Refer to SCC IT for list of approved manufacturers

Substitutes Allowed:

All substitutions must be approved by SCC IT. Requests for substitutions must be submitted in writing prior to design, purchase, and installation.

Associated Design Standards and Construction Specifications

Standards

EIA/TIA-568 Commercial Building Telecommunications Wiring Standard

TIA-569 Telecommunications Pathways and Spaces

TIA-607 Generic Telecommunications Bonding and Grounding for Customer Premises

TIA-942 Telecommunications Infrastructure Standard for Data Centers

ANSI/NECA/BICSO-56-2006 Standard for Installing Commercial Building Telecommunications Cabling

ANSI/NECA/BISCI-607 Telecommunications Bonding and grounding Planning and Installation Methods for Commercial Buildings

ANSI/BICSI-002 Data Center Design Standard and Recommended Practices

Specifications

270500 COMMON WORK RESULTS FOR COMMUNICATIONS

271100 COMMUNICATIONS EQUIPMENT ROOM FITTINGS

271300 COMMUNICATIONS BACKBONE CABLING

271500 COMMUNICATIONS HORIZONTAL CABLING

Audio Visual Standards

DESIGN STANDARD FOR AUDIOVISUAL SYSTEMS

General:

The SCC is intent on moving to 21st century unified communications and data systems, consistent with industry standards and best practices as they evolve. To that end all SCC AV will be digital (unless laws or codes specify otherwise) and/or will be digitally controlled through the Utelogy software platform, and will be tightly integrated into the data components of the SCC technology plan. The Utelogy software platform is the District's standard for control and management of audiovisual and video conferencing/telepresence systems applied Districtwide for smart classrooms, conference and boardrooms, assembly spaces, and any campus facility where audiovisual and/or video conferencing needs are required.

Purpose:

The purpose of this document is to standardize the basic elements of the audiovisual systems design process, and to guide AV to the integrated solutions envisioned above. The Design Standard has the purpose of creating a consistent application of audiovisual systems design throughout the Solano Community College (SCC) District, therefore achieving a standard of quality for maintenance and reliability throughout all renovation and new building projects. This standard serves as a supporting document part of the overall Solano Community College Technology Plan (2013-2015). Deviations from this standard shall be approved by SCC.

Background of Audiovisual Systems within the District:

Audiovisual Systems cover both instructional and informational AV technology. Instructional AV technology covers systems that support teaching, learning, and research. Students and staff members use this technology in pursuit of the College's educational goals. Informational AV technology covers the digital signage systems deployed around the College. Students and staff members use this technology to share content with the different audiences that may occupy the spaces within the College.

For the purposes of this document the instructional AV technology will be referred to as AUDIOVISUAL SYSTEMS. The informational AV technology will be referred to as DIGITAL SIGNAGE SYSTEMS.

Audiovisual Systems-Related Support Staff and Committees:

Chief Technology Officer
Director, Technology Services & Support
Desktop Services
Network Services
The Strategic Technology Advisory Committee (STAC)

Design Standard:

Smart Classroom General Descriptions

Audio/Video (A/V) Cabinet:

- Located next to wall adjacent to teaching wall 5' from corner.
- A 2-3" hole is to be cut in the side of cabinet for cables at location of junction box.
- 2" Conduit from ceiling to 4" junction box in the wall behind A/V cabinet in line with 2-3" hole cut in side of cabinet.
- Remove casters from AV Cabinet.
- Install shelf or rails if not already installed.
- In certain situations the room configuration may dictate the elimination of and A/V Cabinet. Elimination of cabinet to be determined by SCC IT.

Lighting:

- Shall be coordinated for appropriate levels related to room functions
- Must include controls at the A/V Cabinet so that lights directly over the teaching wall can be dimmed or turned off for maximum viewing capability.
- Industry standards and guidelines shall be followed.
- Refer to Codes & Standards section of this document for a list of related standards.

Power requirements:

- One (1) outlet above the ceiling at the projector location
- Four (4) outlets at the A/V cabinet. Two (2) outlets to be at the table top height of cabinet and two (2) below/behind cabinet near the junction box for AV cables.

Projection screens:

- May be motorized or manual roll up and shall be sized appropriately for the room size and desired coverage areas.
- Motorized screens shall be used are in areas in which the screen sizes are larger than 12 ft., typically the Lecture and Multipurpose rooms, Cafeteria, and Boardroom.
- Smaller screens shall be manual roll up.
- Screens are to be centered on teaching wall mounted no more than 6" below the ceiling (in rooms with normal ceiling heights).

Screen mounts:

- Must have back board of sufficient size to permit speakers to be mounted next to the screen.
- For larger screens or rooms with high ceilings (over 10') contact IT management for screen installation instructions.

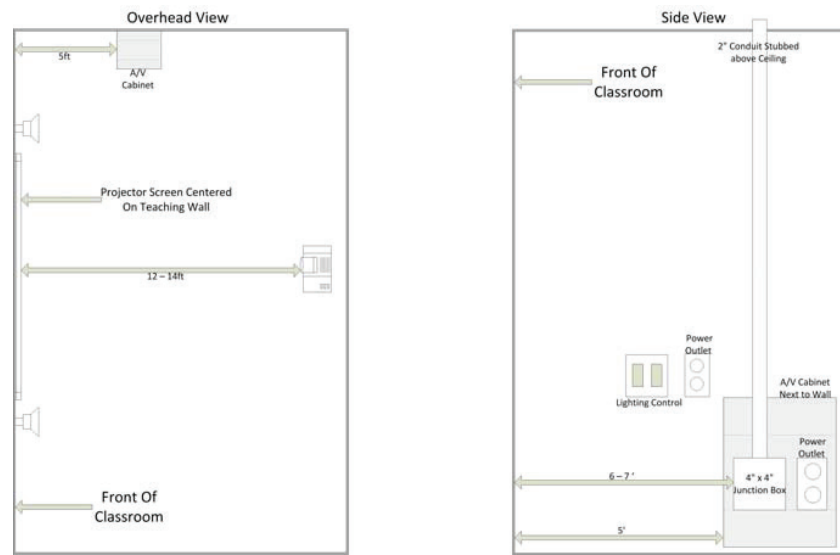
Projectors:

- Shall be industry standard High Definition, with HDMI and Internet Protocol (IP) input, native 16:9 format.
- To be mounted 12-14' from the projection screen with input sources selectable via Utelogy control.

- Distance should be close enough so that the image will take up as much screen space as possible. With this in mind it is highly preferable to locate the projector mount closet to 12'.
- Projector mount should be offset 3.5" right of screen as viewed from the screen location to accommodate for the offset of the projector lens.
- Care should be taken to NOT place anything in the projection path (i.e. lights, art work hangers etc.)

Coordinate requirements with SCC IT.

Visual Layout of Room



Audiovisual Systems – Conference Rooms

Conference Rooms shall utilize single wall mounted LED flat panel display sized accordingly for video content presentation. Size of flat panel display shall be determined by using the minimum display dimension formulas illustrated in Figure 1.

Power outlet shall be installed behind LED displays. (1) 2-port data outlet MAY be required to be installed behind LED display for future proofing (Smart TV's, network devices, etc.). Coordinate power/data requirements with SCC IT. All outlet mounting shall be coordinated with mounting brackets. Mount to be installed to prevent easy access to display controls wherever possible. Installation shall be coordinated with SCC IT.

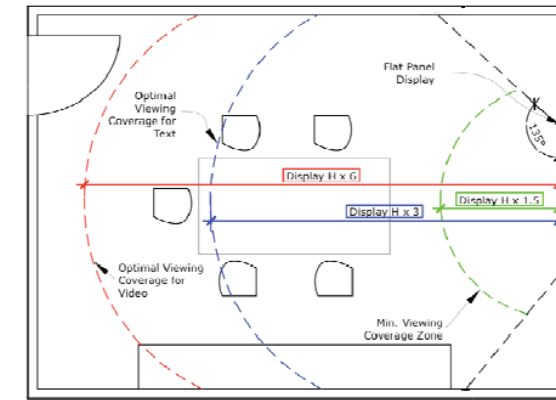


Figure 1: Minimum display dimensions shall be calculated using the coverage area formulas represented above. Acceptable coverage area begins at the green dashed circle, which is calculated by obtaining the height of the display and multiplying it by 1.5. Alternatively, one could obtain the desired minimum coverage area and divide this by 1.5. Similarly, the blue and red dashed circles represent the optimal coverage areas for text and video images, respectively.

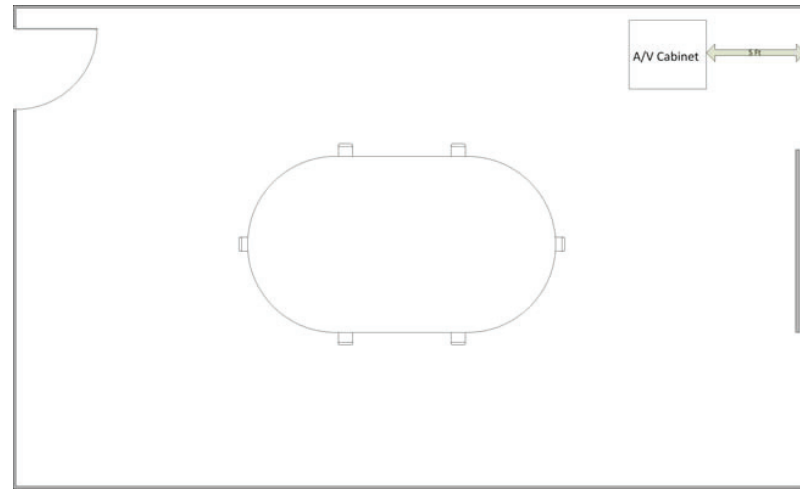
Displays may require wall-mounted speakers approximately 6"-12" on either side of display. Mounting shall be designed to best project sound throughout the conference room. If wall speakers are not provided, the flat panel display must have integrated speakers. Coordinate speaker requirements with SCC IT.

System inputs will include VGA, HDMI, Audio and data ports. Location of input panel shall be coordinated with SCC IT.

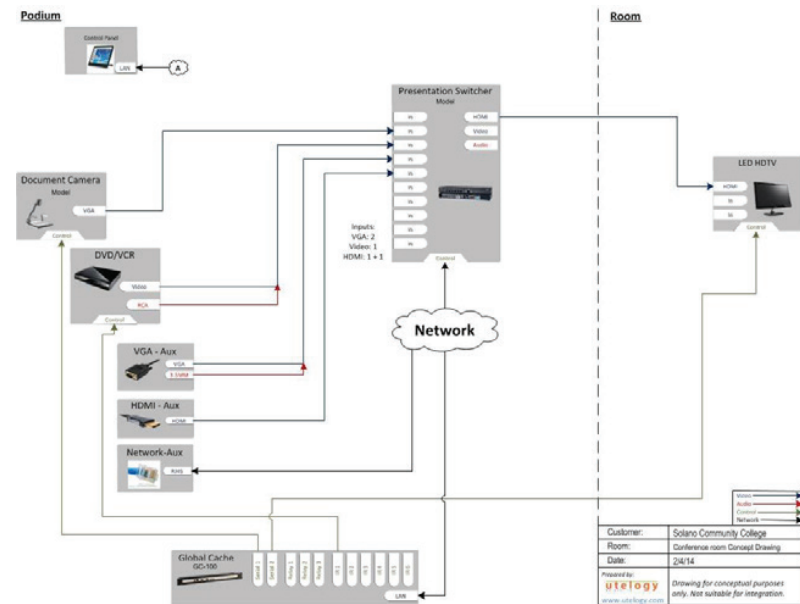
Content will be managed and controlled via the Utology suite accessed via a control station within the room. . Control station and speakers shall integrate with Utology to support automatic switching of inputs and outputs. Coordinate Utology integration requirements with SCC IT.

Lighting shall be coordinated for appropriate levels related to room functions. Industry standards and guidelines shall be followed. Refer to Codes & Standards section of this document for a list of related standards.

Typical Conference Room Layout



Typical Conference Room Connectivity Diagram

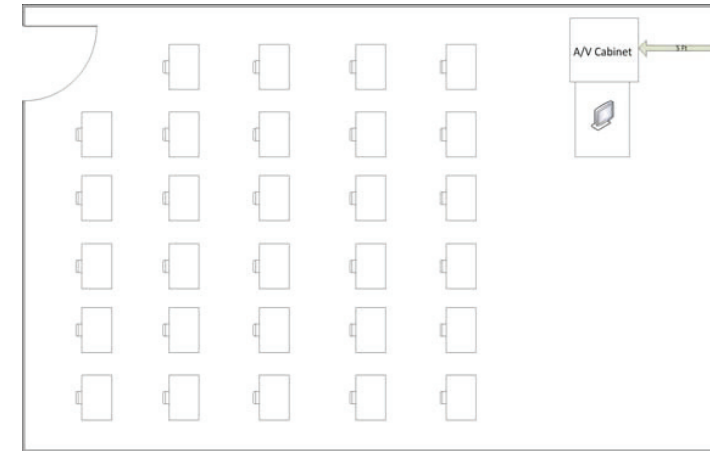


Audiovisual Systems – Smart Classroom

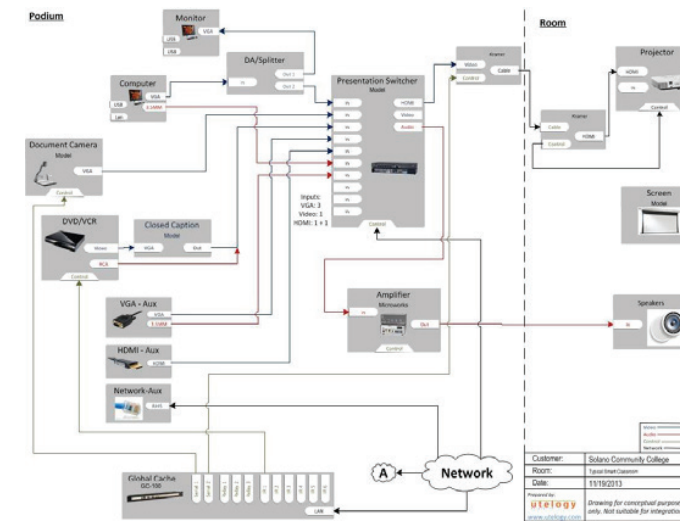
Smart Classrooms shall utilize a ceiling mounted project, projection screen, A/V Cabinet and wall mounted speakers. An ADA compliant teaching table shall be located next to the A/V cabinet. Monitor, document camera and system input panel shall be installed on the table. System inputs shall be via input panel that will include VGA, HDMI, USB, Audio and data ports. Content will be managed and controlled via the Utelogy suite accessed via a stationary workstation within the room. The workstation shall

support USB, DVD/CD, VGA, and HDMI input. Displays and speakers shall integrate with Utelogy to support automatic switching of inputs and outputs. Coordinate Utelogy integration requirements with SCC IT.

Typical Smart Classroom Layout



Typical Smart Classroom Connectivity Diagram



Audiovisual Systems – Computer Labs

Computer Labs shall utilize a ceiling mounted projector, projection screen, and wall mounted speakers. An ADA compliant teaching table shall contain dual monitor setup, document camera and system input panel and student workstations will be single monitor. Instructor shall be able to view student desktops upon command.

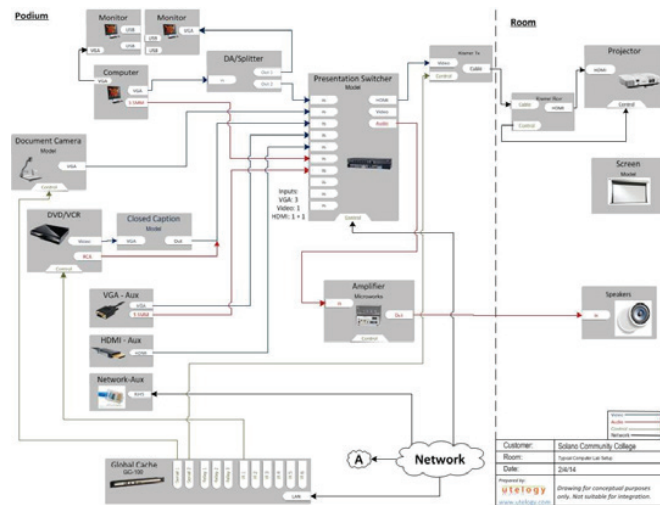
System inputs shall be via input panel that will include VGA, HDMI, USB, Audio and data ports.

Content will be managed and controlled via the Utelogy suite accessed via a stationary workstation within the room. The workstation shall support USB, DVD/CD, VGA, and HDMI input. Displays and speakers shall integrate with Utelogy to support automatic switching of inputs and outputs. Coordinate Utelogy integration requirements with SCC IT.

Typical Computer Lab Layout



Typical Computer Lab Connectivity Diagram



Digital Signage Systems

Digital signage content shall be displayed via LED flat panel displays sized accordingly for this application. Size of flat panel display shall be determined by using the minimum display dimension formulas illustrated in Figure 1.

Digital signage is found typically in Lounges and public spaces, but may be required in specialty areas as well. Power outlet shall be installed behind LED displays. (1) 2-port data outlet MAY be required to be installed behind LED display for future proofing. Coordinate power/data requirements with SCC IT. All

outlet mounting shall be coordinated with mounting brackets. Mount to be installed to prevent easy access to display controls wherever possible. Mounting type may include wall mount, pole mount, or other, depending on the application. Installation shall be coordinated with SCC IT.

TV to be mounted on wall mount so as to permit optimal viewing and is to be secured to the mount to prevent easy theft.

If deployed in outdoor or unmonitored public areas consideration should be given to anti-vandalism measures including cabinets with toughened Macaralon type screen protection.

Digital Media Player (DMP) is to be mounted on the back of the TV or attached to the wall.

Content will be managed and controlled by a content management system. The system will be selected and controlled by SCC IT.

Refer to Codes & Standards section of this document for a list of related standards.

Preferred Manufacturers:

LED Flat Panel Displays:

1. Samsung
2. Sony
3. NEC
4. Other as approved by IT

Video Projectors:

1. Hitachi
2. Panasonic
3. Epson
4. Other as approved by IT

Workstations provided by SCC.

All District Related technology purchases must be approved by Technology Services management. Purchases must follow the Technology Purchases policy of the Solano Community College.

All audiovisual equipment shall be purchased by the District. Equipment lists/Bill of Materials shall be completed and submitted to SCC for purchase, once approved. Coordinate with SCC IT.

Substitutes Allowed:

All substitutions must be approved by SCC IT. Requests for substitutions must be submitted in writing prior to design, purchase, and installation.

Associated Design Standards and Construction Specifications

Codes and Standards:

- ANSI/INFOCOMM 1M-2009 Audio Coverage Uniformity in Enclosed Listener Areas
- ANSI/INFOCOMM 2M-2010 Standard Guide for Audiovisual Systems Design and Coordination Processes
- ANSI/INFOCOMM 3M-2011 Projected Image System Contrast Ratio

Construction Specifications:

- 274100 Audiovisual Systems
- 274200 Digital Signage Systems

End of Document

Electronic Safety & Security Standards

DESIGN STANDARD FOR ELECTRONIC SAFETY AND SECURITY

Purpose

The purpose of this document is to standardize the basic elements of the Electronic Safety and Security systems design process. The Design Standard has the purpose of creating a consistent application of Electronic Safety and Security systems design throughout the Solano Community College (SCC) District, therefore achieving a standard of quality for maintenance and reliability throughout all renovation and new building projects. Deviations from this standard shall be approved by SCC.

Table of Contents

Abbreviations	3
Design Standard—Security Systems Ownership.....	4
SCC Executive Leadership	4
SCC IT.....	4
Security Systems Contractor/Integrator	5
SCC Engineering & Plant Ops	5
Design Standard—Electronic Access Control System (EACS).....	5
System Criteria	5
Access Control Application Criteria.....	6
Design Standard—Video Management System (VMS).....	7
System Criteria	7
Camera Application Criteria.....	8
Design Standard—Intrusion Detection System (IDS).....	9
System Criteria	9
Intrusion Detection System Application Criteria	10
Design Standard—Emergency Mass Notification Systems (EMNS).....	11
Automated Notification Message Broadcasting Service	11



.....

Outdoor Public Address 12

Outdoor “Blue Tower” Emergency Telephones..... 12

Design Standard— Crime Prevention through Environmental Design (CPTED) 12

Approved Manufacturers..... 13

Substitutes Allowed 13

Associated Design Standards and Construction Specifications 13

Addendum ‘A’ 15

Abbreviations

- **SSA** – Security Sensitive Areas
- **P&P’s** – Policies & Procedures
- **LED** – Light Emitting Diode (type of lighting with preferable heat generation and energy consumption characteristics over traditional incandescent luminaires)
- **PV** – Photovoltaic (solar panels)
- **EMNS** – Emergency Mass Notification Systems
- **PA** – Public Address (overhead speakers)
- **AV** – Audiovisual
- **LAN** – Local Area Network (IP network based Ethernet data network)
- **IDS** – Intrusion Detection System (burglar alarm)
- **PIN code** – Personal Identification Number (numerical code entered on arming station keypad to arm or disarm an Intrusion Detection System)
- **ARM** – arming station keypad used to arm or disarm an Intrusion Detection System
- **MD** – Motion Detector (intrusion detection sensor)
- **EACS** – Electronic Access Control System
- **ACP** – Access Control Panel
- **CCTV** – Closed Circuit Television (older, traditional term for analog video surveillance system)
- **VMS** – Video Management System (newer term for IP network based video surveillance system)
- **NVR** – Network Video Recorder
- **PTZ** – Pan Tilt Zoom video surveillance camera (remotely operable in lieu of fixed)

Design Standard—Security Systems Ownership

An effective security program requires comprehensive administrative and operational planning, direction, oversight, and control. With regard to security electronics systems – including electronic access control, video surveillance, intrusion detection, and emergency communications – the “ownership” of the security systems by various associated parties must be clarified, codified in policy, assigned, and accepted.

There are 4 primary parties that must be assigned and must accept responsibility and accountability for various functions of service and maintenance as well as daily operation of the security systems. Importantly, such accountability cannot be reasonably and successfully assigned unless the associated party is also granted the authority, staffing, and funding to carry out the responsibility.

SCC Executive Leadership

1. Provides the authority, authorization, oversight, and funding for systems deployment and use.
2. Issues Policies & Procedures.
3. Determines the appropriate end-users of the system from both law enforcement professional security personnel and departmental staff personnel.
4. Coordinates the functional and operational system requirements between Academic and departmental representatives.

SCC IT

1. Provides network connectivity and support.
2. May provide computing hardware such as servers and computer workstations for use by the Security Systems Contractor/Integrator.
3. Ensures appropriate network security, firewalls, and encryption issues are addressed and documented.
4. Maintains scheduled maintenance of security systems software versions, licenses, and firmware (when such activities are not outsourced to the Security Systems Contractor/Integrator).
5. Maintains scheduled maintenance of security systems hardware operating system, antivirus software, utilities, and system activity logs.
6. Coordinates authorized login UserID and passwords with the network domain identity structure.

Security Systems Contractor/Integrator

1. Provides, installs, programs, configures, and tests the security systems hardware and software.
2. Warrants the installation for one year from date of project substantial completion.
3. May be engaged under contract to provide extended warranty including work order service and preventative maintenance beyond the one year project warranty.
4. This role may be filled by one or more contractors.

SCC Engineering & Plant Ops

1. Provides, installs, programs, configures, and tests the security systems hardware and software as needed above and beyond the scope of the Security Systems Contractor/Integrator and when the Security Systems Contractor/Integrator is no longer under contract.
2. Provides, installs, and maintains door/frame assemblies and electrified locking door hardware.
3. Maintains traditional physical keying system with documented issuance and retrieval audit logs.
4. Provides the lead role in coordinating the efforts of the Security Systems Contractor/Integrator with SCC Executive Leadership, IT, project design team, and the work of other trades and contractors.

Design Standard—Electronic Access Control System (EACS)

Refer to **Addendum ‘A’** at the end of this document for the Electronic Access Control System Standard.

Design standards ensure that Electronic Access Control System installations, retrofits, replacements, and upgrades maintain system consistency and compatibility – regardless of project timing or funding source. These EACS Standards also support a single system database to avoid redundancy, duplication, and error, facilitate system administrator training and back-up, facilitate service and maintenance, and act as a record document that can be periodically updated to reflect new developments and requirements.

System Criteria

1. SCC will deploy a single standardized, centralized, and compatible Electronic Access Control System at all campuses
2. System will primarily consist of card readers, keypads, electrified locking door hardware, alarm contacts, request-to-exit (REX) sensors and access control server hardware/software
3. System will secondarily consist of wireless locksets which communicate with the centralized access control server hardware/software
4. Electrified locking door hardware should be hardwired for low-voltage power

5. Electronically access controlled doors shall be capable of being locked and unlocked in an automated manner based on schedules in the EACS software
6. All access control points shall communicate with the centralized access control server hardware/software and shall not be 'stand-alone'; all electronic access control devices shall provide wireless or hardwired communication to the standardized centralized access control system software platform
7. Access to access control system cardholder and access rights database shall be through the use of authorized client software only; authorized persons shall be issued a secure unique login and password
8. Authorized client access to system shall be customized based on the user's role: for example: full-privilege rights system administrator versus limited-privilege rights end-user with control over a limited subsection of the cardholder and access rights database

The Electronic Access Control System shall:

1. Be purpose-built for access control functionality
2. Support wireless and hardwired access control locking door hardware
3. Support integration with software for the maintenance of the traditional "hard key" Keying System
4. Supported by numerous local competitive contractors
5. Should not require recurring licensing fees
6. Support the use of technology-based access credentials whether photo ID badge or key ring fob or other form factors; credentials shall be programmed for customizable specific access rights per individuals

Access Control Application Criteria

Electronic access control with electrified locking door hardware shall be designed, provided, and installed on the following doors in the following order of priority:

1. Building exterior entry/exit doors: these are entryways which provide the primary access to the building; these are the doors which are intended to be capable of being locked/unlocked on a scheduled basis. The number of designated entry/exit doors should be limited in number to funnel traffic to these doors, the doors must have door closers and no door prop mechanisms, and must unlock without unlatching when "open" according to the pre-programmed schedule.

2. Building interior additional doors shall be installed with electronic access control devices pending confirmation by Solano Community College on a project-specific case-by-case basis in coordination with the project teams:
 - a. MDF/IDF data network equipment closets
 - b. Computer labs
 - c. Smart classrooms
 - d. Lost & Found or other asset storage areas
 - e. Security Sensitive Areas

The following doors have access control considerations other than electronic access control with electrified locking door hardware:

1. Emergency exit only doors shall have no exterior trim (no exterior lockset knobs/lever handles or key cylinders) unless required by SCC or the Authority Having Jurisdiction. These doors shall be used for exiting only and should not be used as entry doors into the building.
 - a. They may be locally alarmed with door prop alarms to indicate that the door has been left open, these locations shall be determined on a project-specific case by case basis.
 - b. Where door prop alarms are used they should be hardwired for low-voltage power and supported by appropriate signage.

Design Standard—Video Management System (VMS)

System Criteria

1. SCC will deploy a single standardized, centralized, and compatible video surveillance system at all campuses
2. System will consist of cameras, cabling, Power-Over-Ethernet (PoE) data network switches, and Network Video Recorder (NVR) hardware/software
3. System shall be IP network (Ethernet) based; no analog cameras or other system components shall be specified, provided, or installed
4. Cameras shall primarily be homerun hardwired with cabling; cabling shall be Ethernet cabling of a Category confirmed by SCC; this CAT cable shall be Power-Over-Ethernet (PoE) to provide signal and low-voltage power in a single homerun cable

5. Cameras shall secondarily be on wireless point-to-point connections only where the costs of providing a hardwired connection is greater than the costs of providing a wireless link (e.g. parking lots)
6. Access to live or recorded video shall be through the use of authorized client software only; authorized persons shall be issued a secure unique login and password
7. Authorized client access to system shall be customized based on the user's role: for example: full-privilege rights system administrator versus limited-privilege rights "view/search only" end-user
8. System will primarily consist of fixed cameras; Pan-Tilt-Zoom (PTZ) remotely operable cameras shall be specified, provided, or installed only on a project-specific case-by-case basis. PTZ cameras may be a required programmatic system component to be specified at the discretion of SCC, such as Cafeteria and Quad areas.
9. Where a camera is installed near an electronic access control door the door should be in the field of view of the installed camera
10. 30 days recording minimum

Camera Application Criteria

Video surveillance cameras shall be designed, provided, and installed at the following areas in the following order of priority; camera placements shall be coordinated with projects that are pending in the SCC Master Plan so that projects are not installing cameras that will subsequently be removed:

1. Primary campus vehicular entry/exit lanes; though these cameras are not intended to be software-based "License Plate Recognition (LPR)" cameras they should be mounted low with IR illuminators in order to provide views of vehicles and license plates. These installations typically leverage an available local power source such as a light-pole and may utilize underground conduit runs or wireless point-to-point to send the video signal to a building where the recording equipment is installed.
2. Parking lots general views as confirmed in design projects by SCC; coordinated with obstructions, trees/landscaping, and PV panels; may include bus stop and drop-off/pick-up curbs
3. Building primary pedestrian entry/exit doors associated with electronic access controlled doors
4. Building secondary pedestrian entry/exit and emergency exit only doors
5. Building second floors points of vertical transportation and corridors
6. Quad (clock tower)
7. Cafeteria

8. Building Security Sensitive Areas (SSA) doors such as IDF's, computer labs, and asset/equipment storage closets associated with electronic access controlled doors, specifically including but not limited to any associated money handling areas
9. Specific areas where past incidents have occurred and/or future incidents are anticipated to occur, specifically including but not limited to Financial Aid, Check Cashing, Veterans, and Counseling
10. Child care center

Design Standard—Intrusion Detection System (IDS)

System Criteria

1. SCC will deploy industry standard intrusion alarm panels at designated campuses buildings or designated high-value rooms within buildings for the detection and monitoring of unauthorized entry
2. Intrusion alarm panels do not have to be of a single consistent type, this equipment is essentially a commodity and the functionality between various products is similar. However, from the point of view of contractor support and SCC service and maintenance the College should consider standardizing on a single product type
3. Intrusion detection system alarm control panels shall be installed in a locked enclosure with a locked room
4. PIN-code arming/disarming keypad station shall be installed just inside the main authorized user entry door
 - a. The keypad station should not be visible from the exterior of the building or room to be protected
 - b. The main authorized user entry door associated with the keypad station shall be programmed as an entry/exit delay in the system in order to give the authorized user time to enter and disarm, or exit after arming, the system
 - c. Do not install a motion detection sensor that covers the area of the keypad station, or the authorized user will not be able to enter and disarm the system without activating the alarm, and they will not be able to arm the system without generating a system fault
5. Primary alarm signal communication shall be via a telephone line dialer module
 - a. SCC shall contract monitoring service for each alarm panel from a UL-Listed 3rd party commercial Central Station monitoring service

- b. Alarm signal communication telephone line shall be a supervised circuit to produce a 'trouble' or 'comm loss' alarm signal on disruption or loss of the alarm signal communication telephone line
- c. Each alarm panel shall require a dedicated analog telephone line (outside service line, not an analog line out from a digital PBX)

6. Each authorized user shall have their own unique PIN-code for arming and disarming of the system

- a. PIN-codes shall be maintained in a centrally controlled list and changed periodically (minimum annually)
- b. PIN-codes shall be removed from the system on turnover of a previously authorized user; this step should be included in the termination or exit interview HR processes along with retrieving any traditional door lock keys and access control card badge credentials
- c. Alarm panels may be programmed to arm and disarm on schedule in addition to a manual process

Intrusion Detection System Application Criteria

Intrusion Detection System equipment, cabling, and sensor devices shall be designed, provided, and installed on the following doors, windows, and rooms for an entire building or a specific interior area to be monitored:

- 1. Exterior doors leading into the building or area: door position switch alarm contacts
 - a. Mounted concealed in the door and frame header rabbet
 - b. On certain existing doors surface-mounted door position switch alarm contacts may need to be installed on the interior door and frame header face; installation shall limit the amount of exposed cabling and wiring by using armored flex conduit to a junction box
- 2. Exterior windows leading into the building or area: glass break detection sensors
 - a. Ceiling mounted or wall-mounted
- 3. Interior rooms and corridors: motion detection sensors
 - a. Ceiling mounted or wall-mounted
 - b. Motion detection sensors shall be dual-technology type to minimize false alarms: passive infrared (PIR) and microwave (Doppler effect)

Design Standard—Emergency Mass Notification Systems (EMNS)

Emergency Mass Notification shall be provided, installed, and utilized on SCC campuses in accordance with the communication goals of the President’s Advisory Council on Emergency Preparedness (PACEP). Emergency Mass Notification is more of a series of supporting systems and procedures than it is a single system.

This series of supporting electronic and software-based systems includes but is not limited to:

- 1. Electronic automated notification message broadcasting services over SMS text/email/phone call trees
- 2. Indoor public address announcements
- 3. Outdoor public address announcements
- 4. Outdoor Emergency Telephones (2-way communication)
- 5. Indoor and outdoor electronic signage
- 6. Integration with the campus Cisco VOIP telephone system
- 7. Integration with the campus Utelogy centralized smart classroom management system

These individual system components should be integrated at a software-based level where possible. These systems should be coordinated with regard to the governing policies and procedures for their use regardless of whether they are integrated or separate individually operated systems. These coordinating policies and procedures should include but not be limited to such factors as:

- 1. Trigger events for deployment
- 2. Coordinated messaging
- 3. Notification statement guidance and pre-written and approved announcements
- 4. Definition of proper and authorized usage
- 5. Disciplinary measures for improper and unauthorized usage
- 6. Guidelines for system deployment sequence, process, and priority

Automated Notification Message Broadcasting Service

Refer to AlertU website <https://www.alertu.org/> for more information regarding this hosted service.

Refer to SCC website <http://www.solano.edu/> for enrollment information.



Indoor Public Address

Refer to related Design Standards.

Outdoor Public Address

Outdoor public address is produced through exterior mounted broadcast loudspeakers. These loudspeakers should be installed throughout the campus grounds based on a campus-wide strategic layout though they may be installed as part of specific projects. Outdoor public address loudspeakers may be used to broadcast live voice messages, recorded voice messages, or siren sounds. Outdoor public address loudspeakers shall be integrated into the Talk-A-Phone WEBS mass notification platform.

Outdoor public address loudspeakers shall be: School Outfitters AmpliVox Sound Systems Half-Mile Hailer Outdoor Speaker System.

Outdoor “Blue Tower” Emergency Telephones

Outdoor 2-way emergency communication is produced through exterior mounted “Blue Tower” Emergency Telephones. These Emergency Telephones should be installed throughout the campus grounds based on a campus-wide strategic layout though they may be installed as part of specific projects.

Outdoor “Blue Tower” Emergency Telephones shall be: Talk-A-Phone WEBS multi-layer hardware and software mass notification platform. Platform components include: outdoor tower units or wall-mount units. The tower hardware units can be configured to support strobes, cameras, and light fixtures. Tower hardware units shall be provided with supervised communication links and call source announcement capability. The outdoor public address loudspeakers shall be integrated into the Talk-A-Phone WEBS mass notification platform.

Design Standard— Crime Prevention through Environmental Design (CPTED)

Crime Prevention through Environmental Design (CPTED) is a design perspective which leverages physical and environmental aspects to incorporate security within a campus.

The four principles of CPTED are:

- Natural Surveillance
- Natural Access Control
- Territorial Reinforcement
- Maintenance and Management

From a high-level perspective, Natural Surveillance would be ensuring that sight lines are open and trees and bushes aren’t obstructing views in strategic areas that could encourage crime or vandalism. The intent of natural surveillance is to increase the perception of observation, which can affect and alter the decision-making process with regard to inappropriate and unauthorized behavior.

Natural Access Control would be the thoughtful application of environmental designs (plants, trees, or benches) used to “control” or “funnel” access to certain areas. For example, properly located entrances, exits, fencing, landscaping and lighting can subtly direct both foot and vehicular traffic in ways that decreases criminal opportunities.

The last two principals – Territorial Reinforcement and Maintenance and Management – are related to invoking a sense of pride and investment within the campus so people feel this campus is their own, which naturally encourages them to protect the space. This is known to be related to reduction in opportunities for aberrant or criminal behavior such as vandalism.

Approved Manufacturers

Stanley Security Solutions / BEST Access Systems (EACS)

Luxriot Video Management System (VMS)

DSC MaxSys (IDS)

AlertU (EMNS)

School Outfitters AmpliVox Sound Systems (EMNS)

Talk-A-Phone WEBS (EMNS)

Substitutes Allowed

No substitutions allowed.

Associated Design Standards and Construction Specifications

Associated Design Standards:

None noted.

Construction Specifications:

- 28 10 00 Electronic Access Control and Intrusion Detection
- 28 13 00 Access Control
- 28 16 00 Intrusion Detection
- 28 20 00 Electronic Surveillance
- 28 23 00 Video Surveillance

Addendum 'A'

Electronic Access Control System Standard

Electronic Access Control System Standard

Solano Community College understands that there are advantages, efficiencies, and cost savings to be realized with the adoption and ongoing commitment to facilities Standards. In pursuit of these benefits Solano Community College is currently pursuing an initiative for the creation, development, and adoption of Standards. Electronic security systems—including an Electronic Access Control System—are an important part of such Standards.

Standards ensure that Electronic Access Control System installations, retrofits, replacements, and upgrades maintain system consistency and compatibility – regardless of project timing or funding source. Standards also support a single system database to avoid redundancy, duplication, and error, facilitate system administrator training and back-up, facilitate service and maintenance, and act as a record document that can be periodically updated to reflect new developments and requirements.

Ongoing and future renovation projects require timely direction with regard to the selection of the Standard for an Electronic Access Control System. The selected Electronic Access Control System should be purpose-built for access control functionality, support wireless and hardwired access control locking door hardware, support integration with software for the maintenance of the traditional “hard key” Keying System, supported by numerous local competitive contractors, and should not require recurring licensing fees.

Solano Community College hereby selects BEST Access Systems “**Stanley WI-Q Technology Wireless Access Management System**” including associated system software, equipment components, and electronic locking door hardware as the Standard Electronic Access Control System.

Electronic access control devices shall be installed on all exterior building doors, with the exception of emergency exit only doors with no exterior trim (no exterior lockset knobs/lever handles or key cylinders). These electronic access control devices shall provide wireless or hardwired communication to the standardized centralized access control system software platform. Additional interior doors may be installed with electronic access control devices at the discretion of Solano Community College (such as at MDF/IDF equipment closets, computer labs, classrooms, etc.). System shall support both cardreaders and keypads located at each controlled door.

This direction applies to the following facilities:

FAIRFIELD CAMPUS | 4000 Suisun Valley Road, Fairfield, CA 94534

VACAVILLE CENTER | 2001 North Village Parkway, Vacaville, CA 95688

VALLEJO CENTER | 545 Columbus Parkway, Vallejo, CA 94591

Any future SCC campuses or properties.

Fire Alarm Standards

DESIGN STANDARD FOR FIRE ALARM SYSTEMS

Purpose

The purpose of this document is to standardize the basic elements of the Fire Alarm system design process. The Design Standard has the purpose of creating a consistent application of Fire Alarm system design throughout the Solano Community College (SCC) District, therefore achieving a standard of quality for maintenance and reliability throughout all renovation and new building projects. Deviations from this standard shall be approved by SCC.

Design Standard— Fire Alarm Systems (FAS)

Design standards ensure that the Fire Alarm System installations, retrofits, replacements, and upgrades maintain system consistency and compatibility – regardless of project timing or funding source. These EACS Standards require use of a specific brand (manufacturer) of the FAS, including control panels, alarm initiating devices, and alarm notification devices, to ensure uniformity in alarm reporting, and compatibility with the existing FAS in use on the SCCD campus. The standards will also facilitate service and maintenance, and act as a record document that can be periodically updated to reflect new developments and requirements.

Fire Alarm System Criteria

1. SCCD will continue to utilize a standardized Fire Alarm System at all campus locations, compatible with the existing Fire Alarm systems.
2. For new construction, the contractor shall provide a new Fire Alarm Control Panel (FACP), GE model EST3. The FACP shall be connected to the campus-wide Fire Alarm system network via fiber optic cable using a multi-priority peer-to-peer token ring protocol.
3. The FACP will be programmed to display system status and all alarms at the FACP, and on the existing Fireworks graphics workstations using the EST3 Life Safety Network.
4. All alarms and trouble conditions will also report to the UL-approved 24 hour central station service (Sacramento Valley Alarm) via the existing Digital Alarm Communicator Transmitter (DACT) located inside the Building 1800B FACP.
5. For retrofit/remodel projects, the contractor shall utilize the existing GE EST3 FACP found in each of the existing buildings. All alarm initiating devices and alarm notification devices shall be connected to the FACP in the affected building.
6. For buildings not located on the main SCCD campus, the FACP shall include a DACT connected via phone line to the UL-approved 24 hour central station monitoring service.

7. Consideration should be given to potential future integration of the FAS with the Emergency Mass Notification System (EMNS) when an EMNS is designed and put into place on the SCCD campus.

Fire Alarm System Design Criteria

1. All Fire Alarm System (FAS) alarm initiation devices shall be intelligent addressable type, and shall display specific device ID, type, and location on the FACP, and on the FireWorks graphic workstation annunciator.
2. All alarms and trouble conditions will report to the UL-approved 24 hour central station service (Sacramento Valley Alarm) via the existing system dialer located in Building 1800B.
3. The FAS design shall include intelligent manual pull stations at all building exits.
4. The FAS design shall include intelligent photoelectric smoke detectors at all Code required locations.
5. The FAS design shall include intelligent heat detectors at all Code required locations.
6. The FAS design shall include intelligent photoelectric duct-mounted smoke detectors for all supply fans > 2,000 CFM. Provide NEMA-3R enclosures for all duct smoke detectors mounted in exterior and/or exposed locations. Provide fan shutdown upon alarm of the associated duct smoke detector.
7. The FAS shall monitor fire protection (sprinkler) system water flow alarm and valve tamper switches.
8. The FAS shall monitor all auxiliary alarm systems (fire suppression, etc.) as required by Code.
9. The FAS shall provide audible and visual alarm notification throughout the affected building in the event of an alarm. All strobe alarm lights shall be synchronized, and installed in compliance with ADA regulations.
10. All alarms and trouble conditions will report to the UL-approved 24 hour central station service (Sacramento Valley Alarm) via the existing system dialer located in Building 1800B.
11. The Fire Alarm contractor shall be responsible for all required permits.
12. The Fire Alarm contractor shall provide complete system documentation, including product data, associated CSFM listing sheets, and installation shop drawings, and shall submit documentation and obtain approval from the Division of the State Architect prior to the start of construction.

13. The Fire Alarm contractor shall conduct a test and commissioning of the installed system, and shall obtain approval from the Authority Having Jurisdiction (AHJ) prior to building occupancy.
14. The Fire Alarm Contractor and manufacturer guarantee installation, equipment, software, software support and all parts and labor for one year from written notification of acceptance by the Owner.
15. The Fire Alarm contractor shall provide record drawings showing the as-built condition/location of all equipment, devices, and wiring installed on the project.

Approved Manufacturers

GE EST3 Fire Alarm Control Panel

Edwards Intelligent Addressable Alarm Devices

Edwards Alarm Notification Devices

System Sensor Alarm Notification devices

Substitutes Allowed

No substitutions allowed.

Associated Code References and Construction Specifications

Associated Code References (current approved issue):

- ADA – Title 3 of the Americans with Disabilities Act
- CCR – Titles 19 and 24 of the California Code of Regulations
- CBC – 2012 International Building Code with 2013 CA Amendments
- CEC – 2011 National Electrical Code with 2013 CA Amendments
- CFC – 2012 International Fire Code with 2013 CA Amendments
- CMC – 2012 International Mechanical Code with 2013 CA Amendments
- NEMA – National Electrical Manufacturers' Association
- NFPA 72 – 2010 National Fire Protection Association Standards
- UL – Underwriters Laboratories, Inc.

Construction Specifications:

- 28 31 00 Fire Alarm Systems